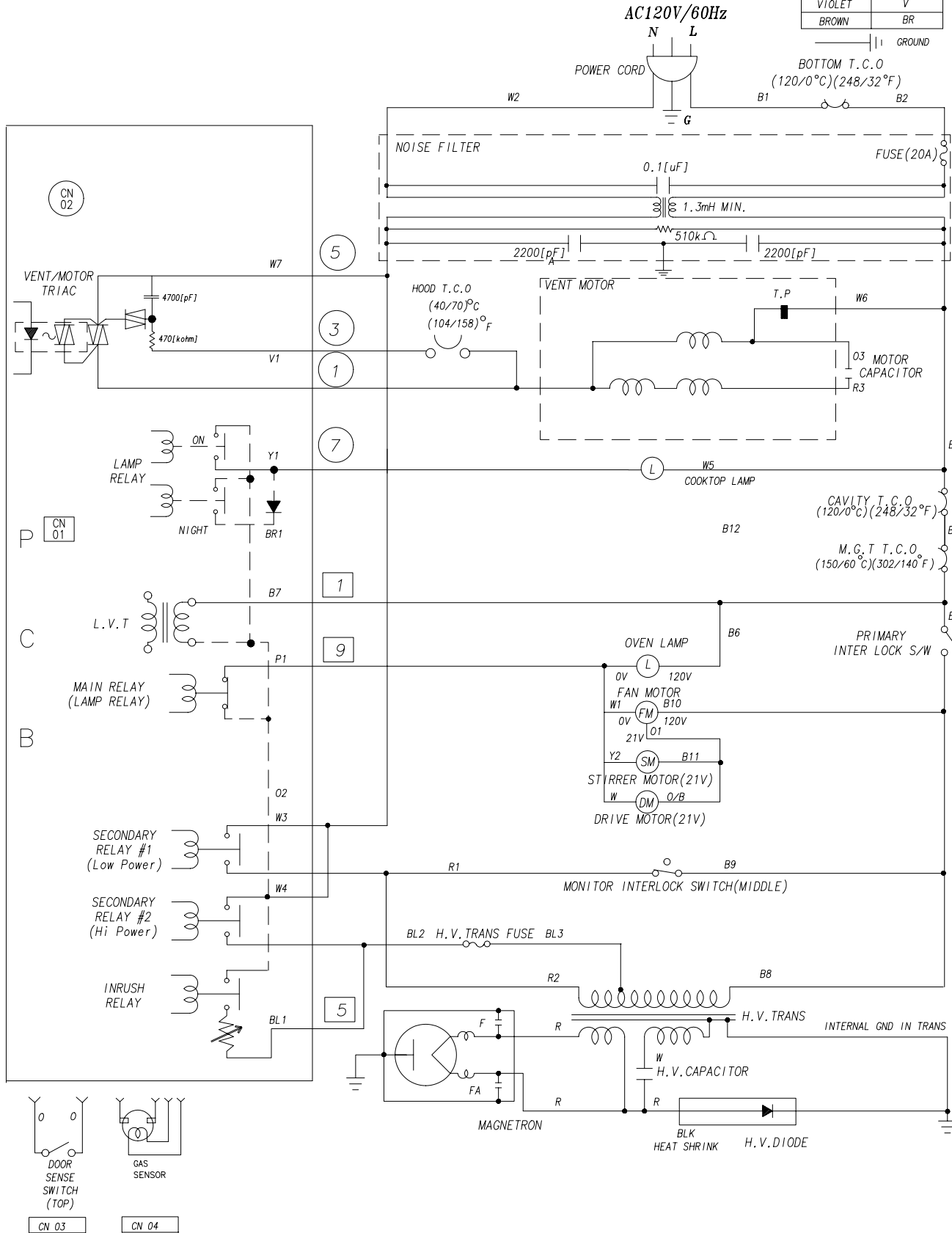
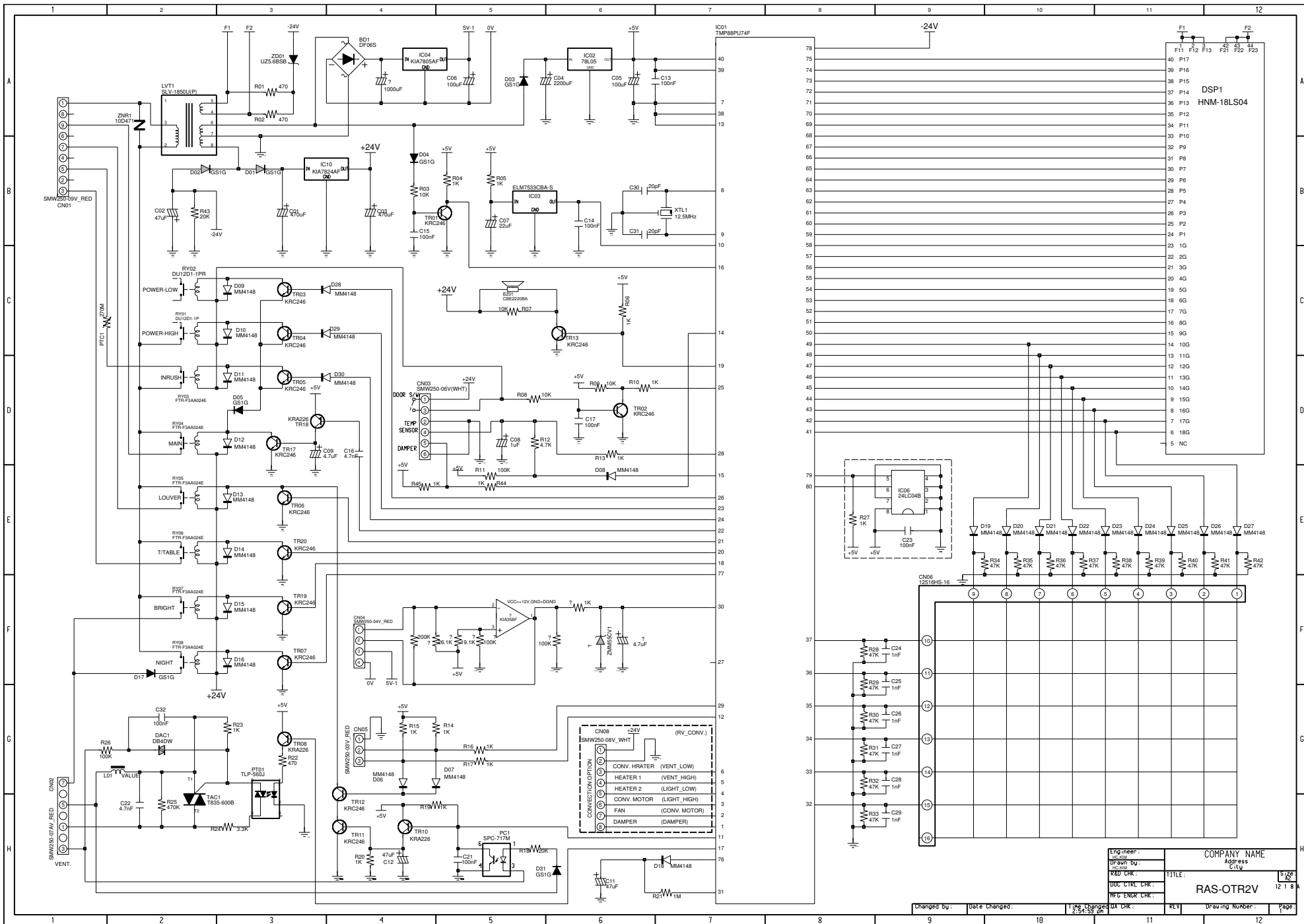


SCHEMATIC DIAGRAM

MODEL NO.: MMV5207

COLOR	SYMBOL
GRAY	GR
WHITE	W
BLACK	B
RED	R
BLUE	BL
ORANGE	O
YELLOW	Y
GREEN	G
PINK	P
AZURE	A
VIOLET	V
BROWN	BR





Engineer:	COMPANY NAME
Desig. by:	Address
Rev. by:	City
QC CTRL. CHK:	TITLE: RAS-OTR2V
ENG ENGR. CHK:	12 T 8 A