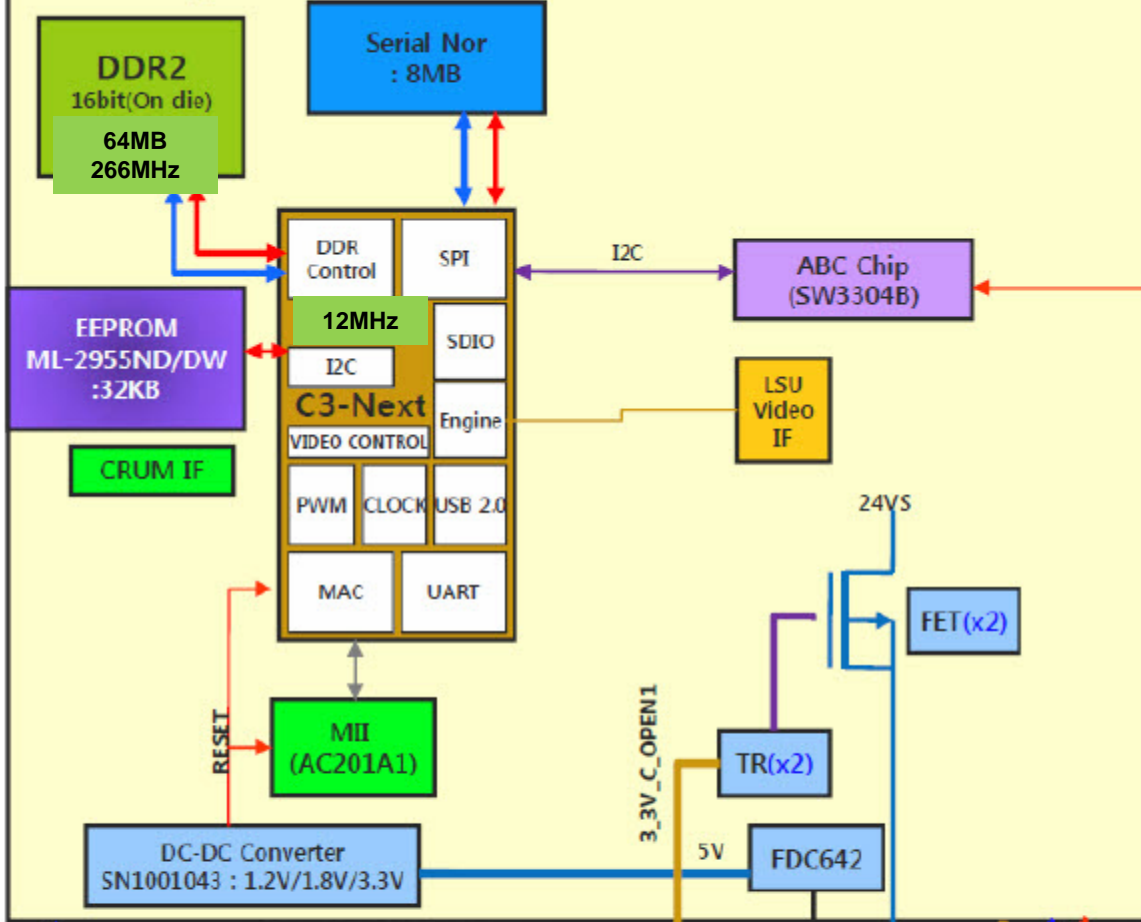


System Board



Clock s	Freq.	Clock s	Freq.
MAIN	12MHz	Video	12MHz
CPU	360MHz	DDR	266MHz
USB	12MHz	Network	25MHz

HVPS : EP & THV High Voltage output
Cover open detect
Binfull/Regi/feed/P_empty sensor
Crum IF / Pickup & regi clutch

DEVE K UNIT
CRUM

POWER CORD
Kingbird SMPS(NEW)

WLAN IF
W-model only

UI
Bation : 2Line LCD OPE

FUSER UNIT
Contact Thermistor
850W lamp
Thermostat

- Main : P_Exit Sensor

LSU Video
- Dual beam

Motor IC-Less (2)
-BLDC MAIN (1)
- LSU P-Motor (1)

Fan (1)
- MAIN,