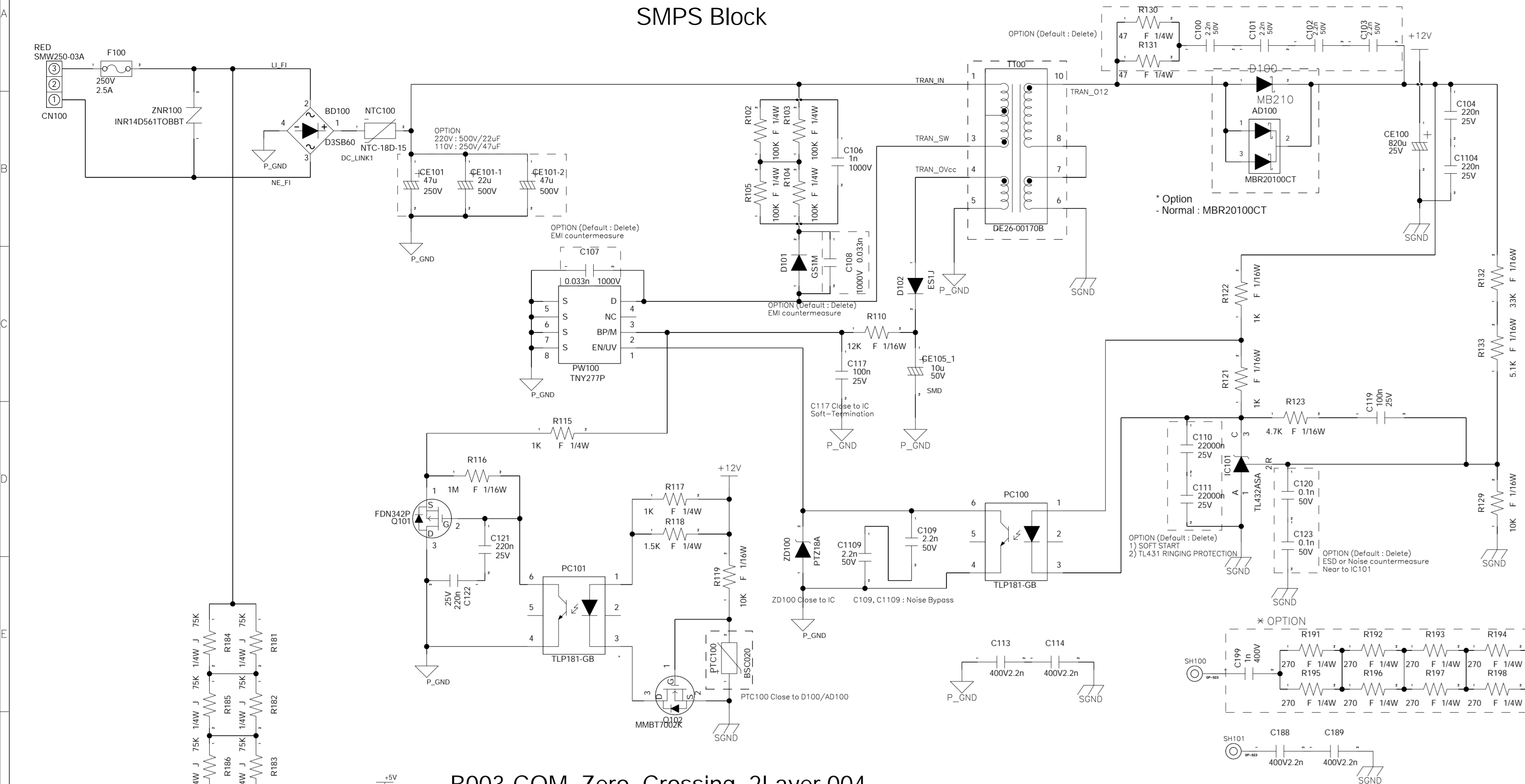
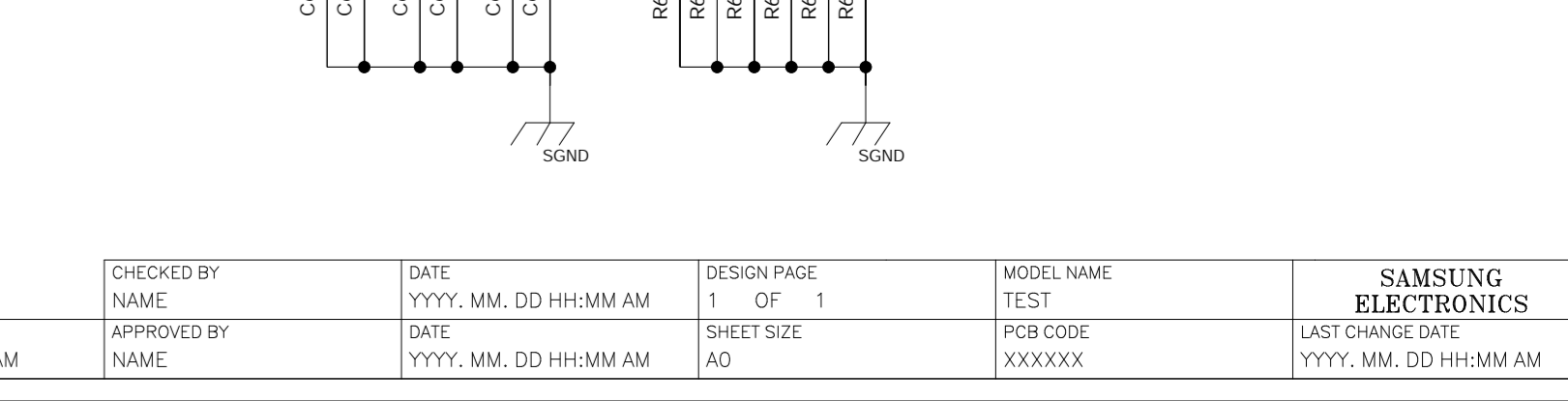
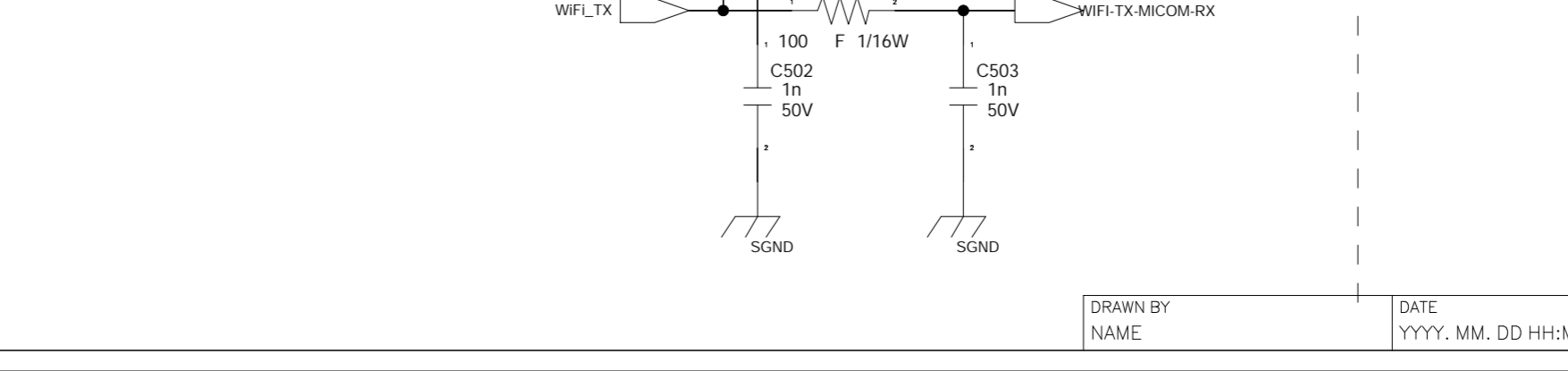
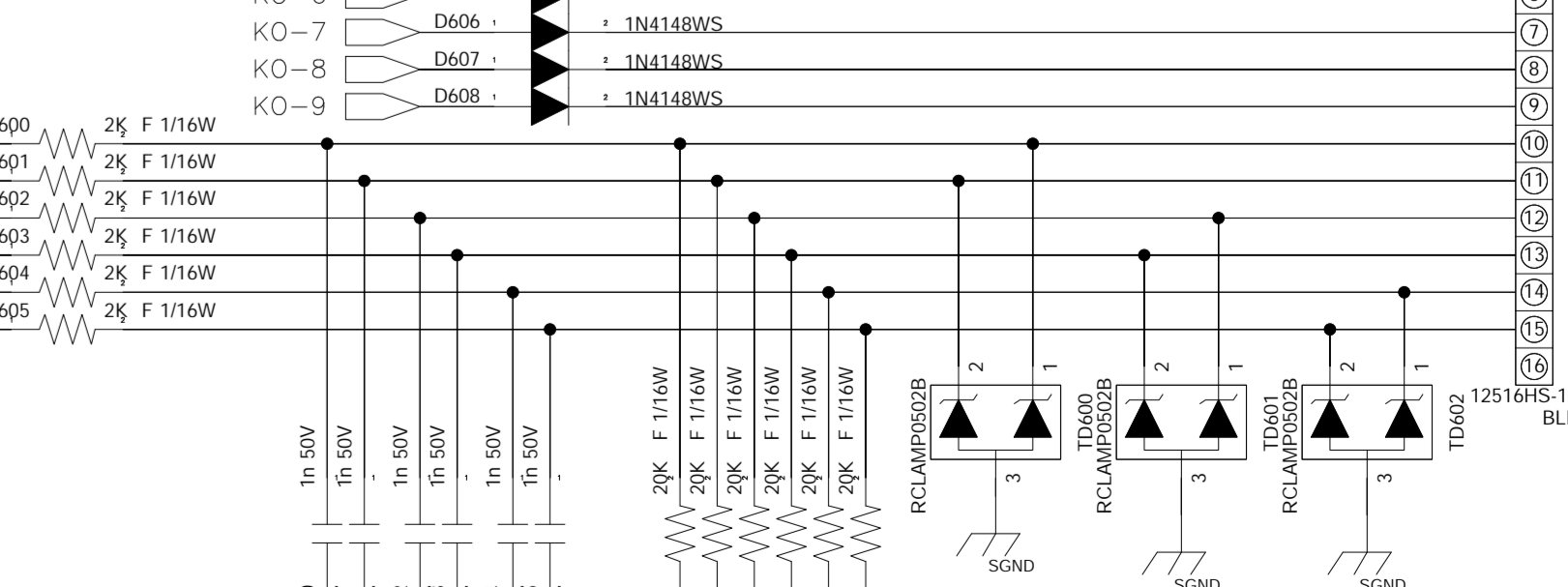
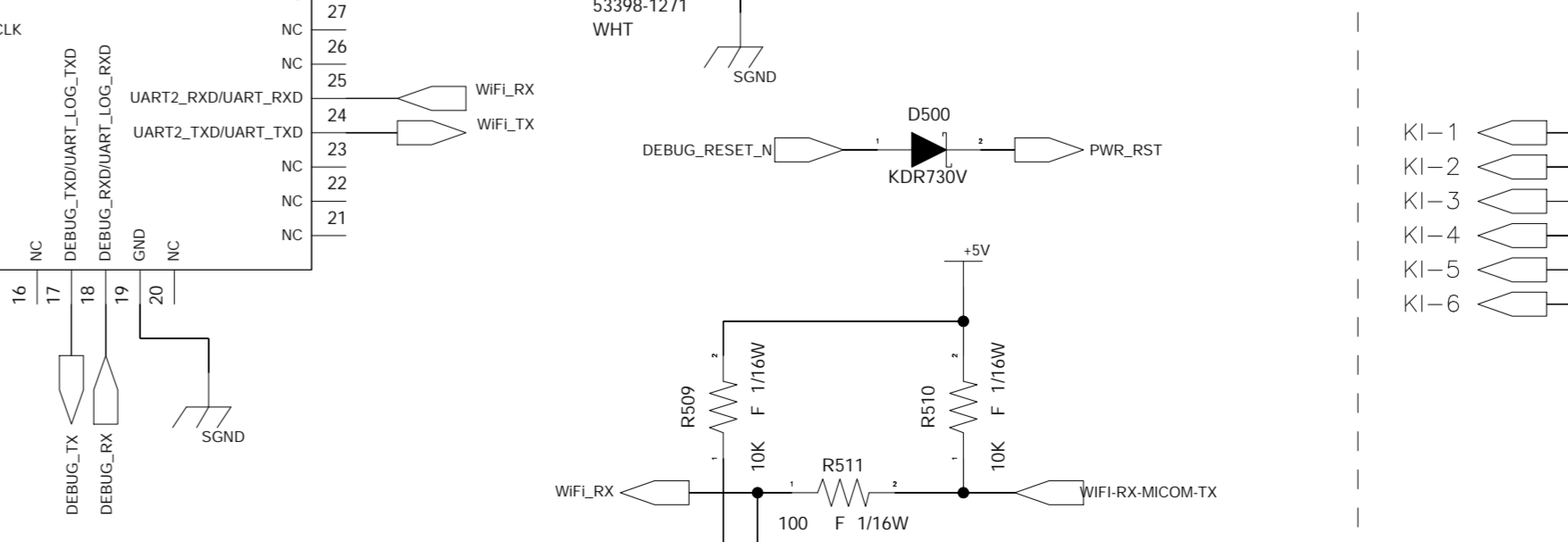
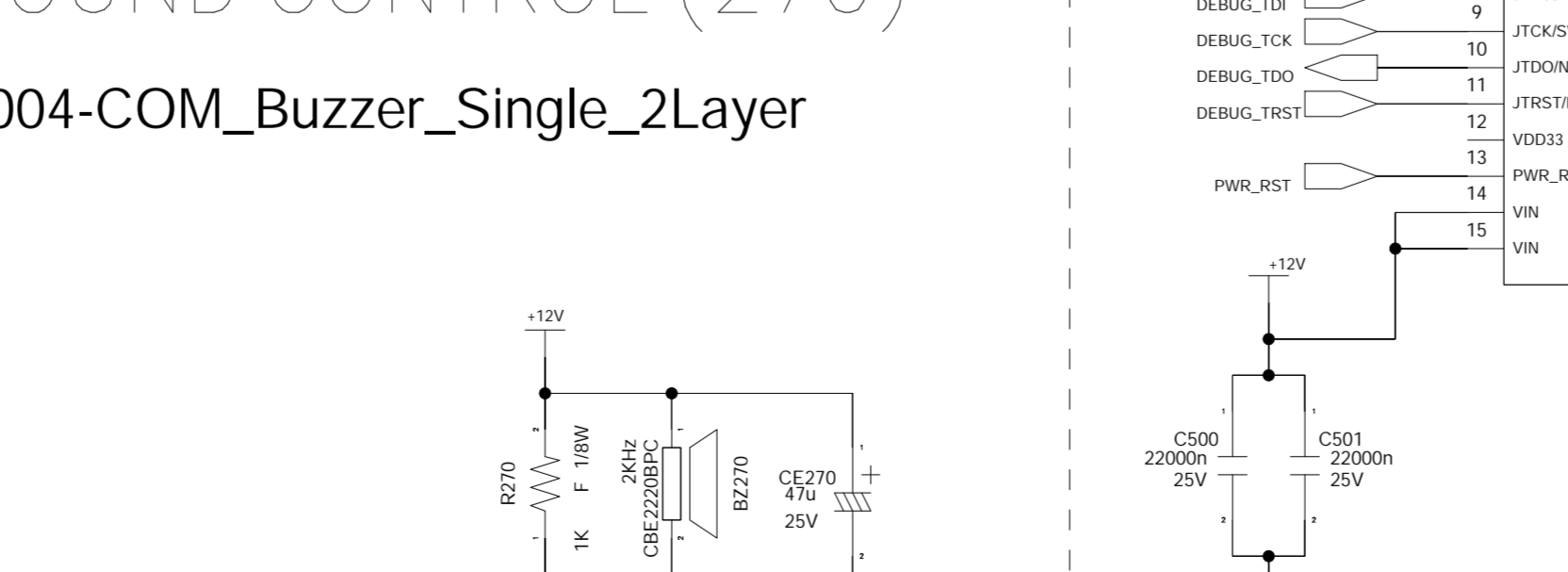
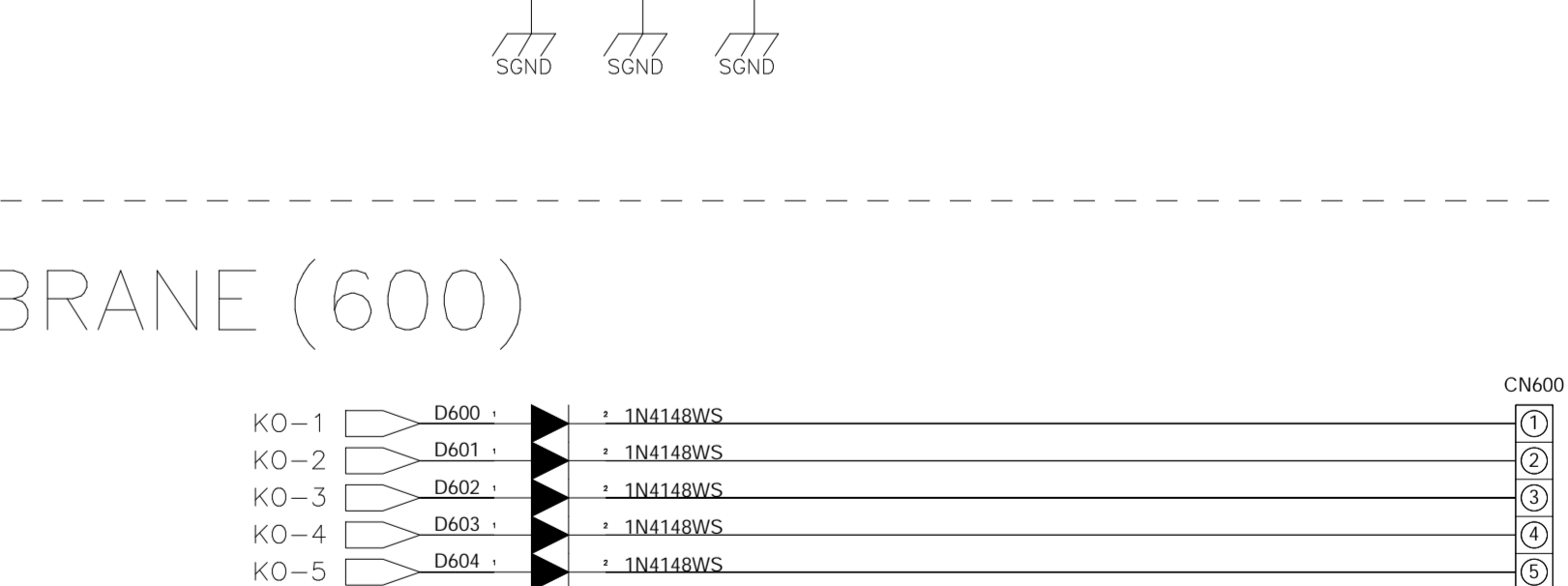
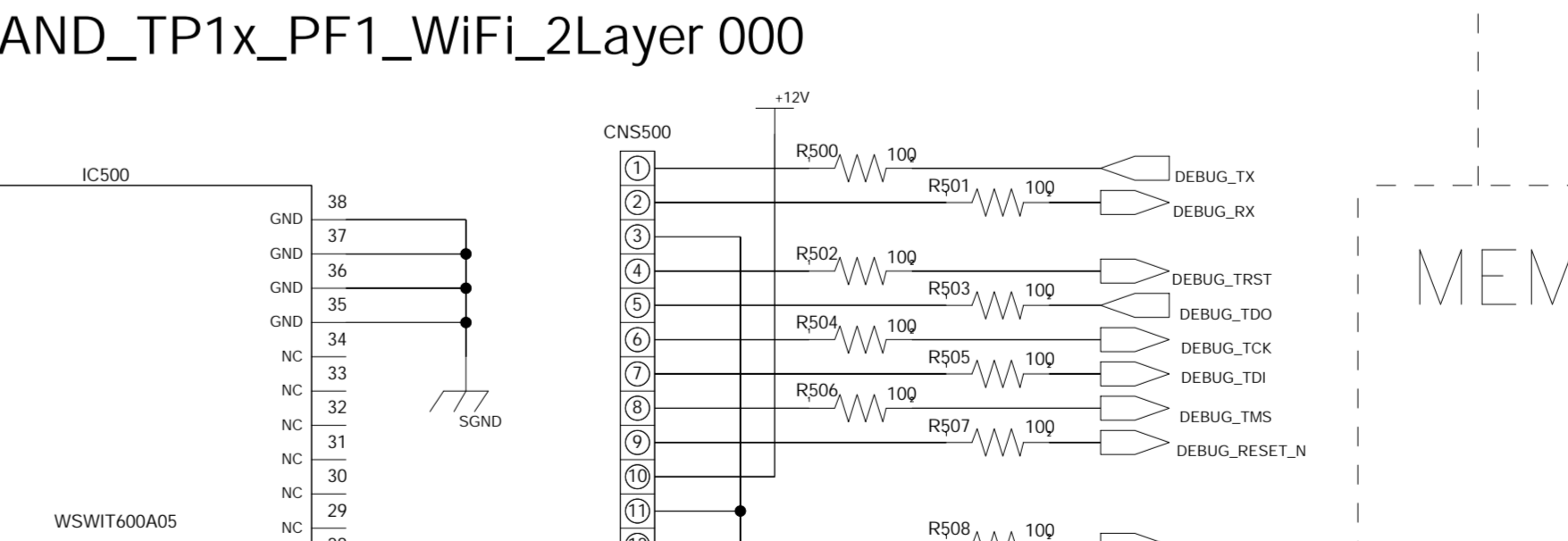
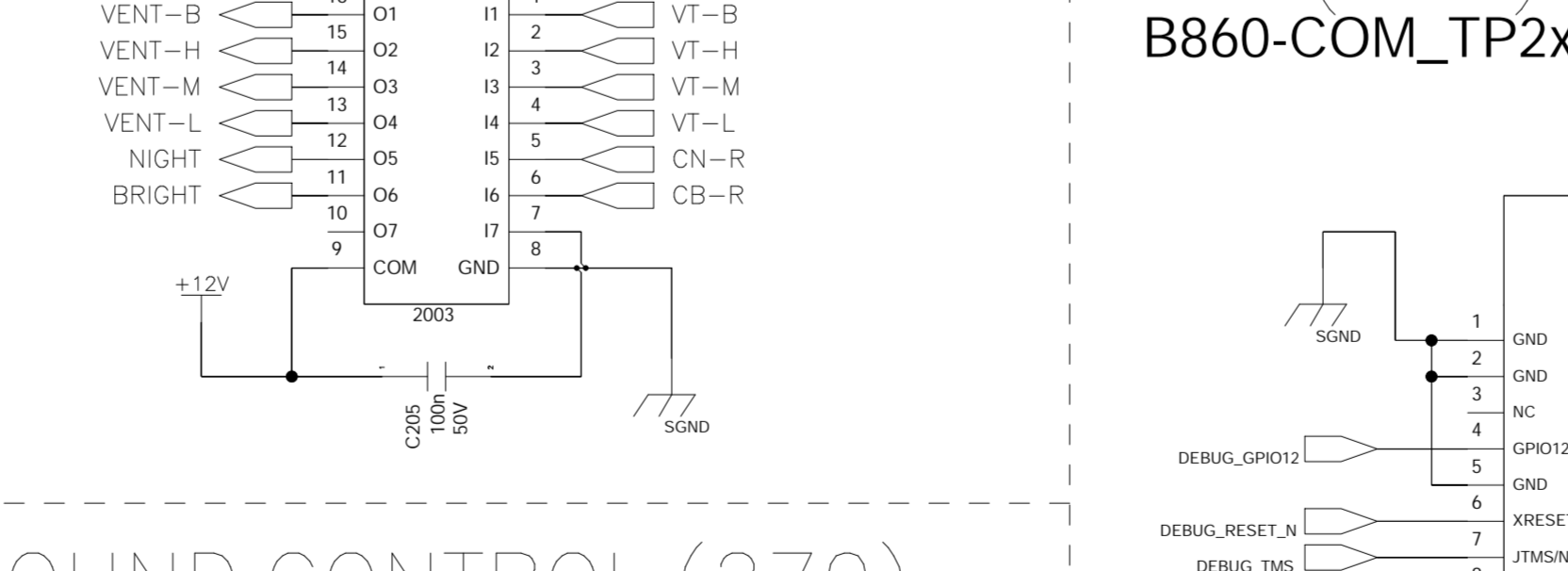
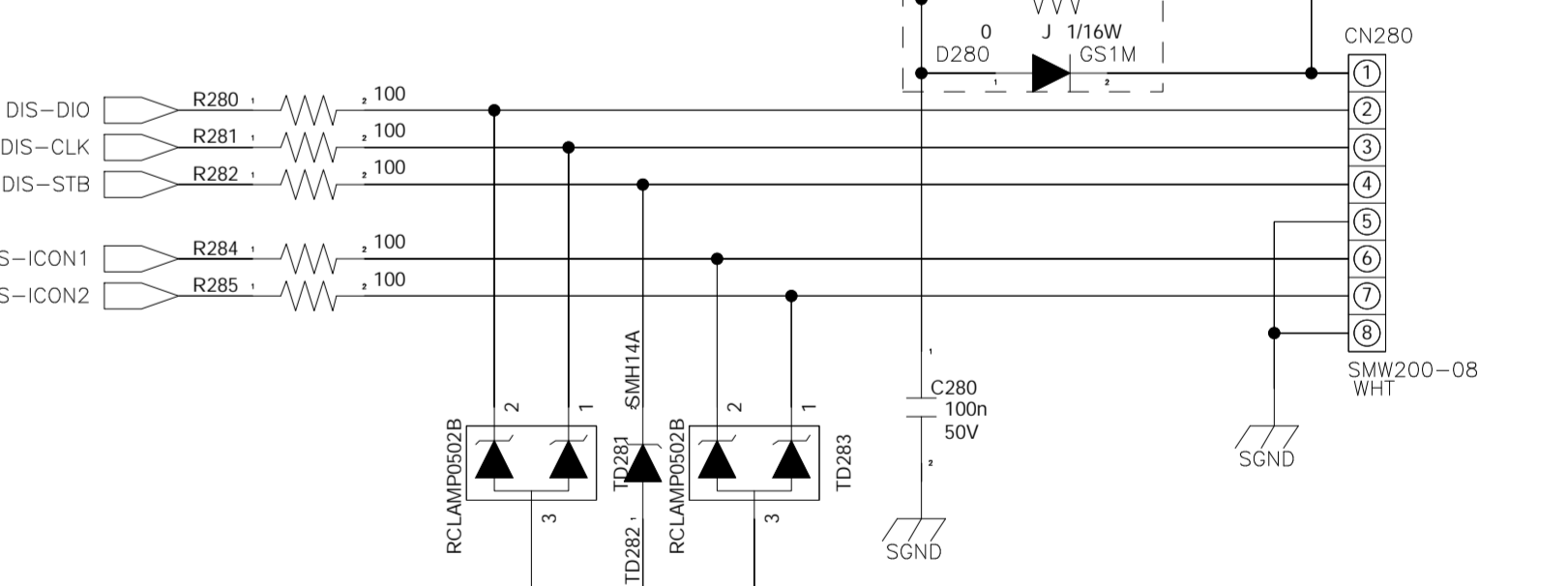
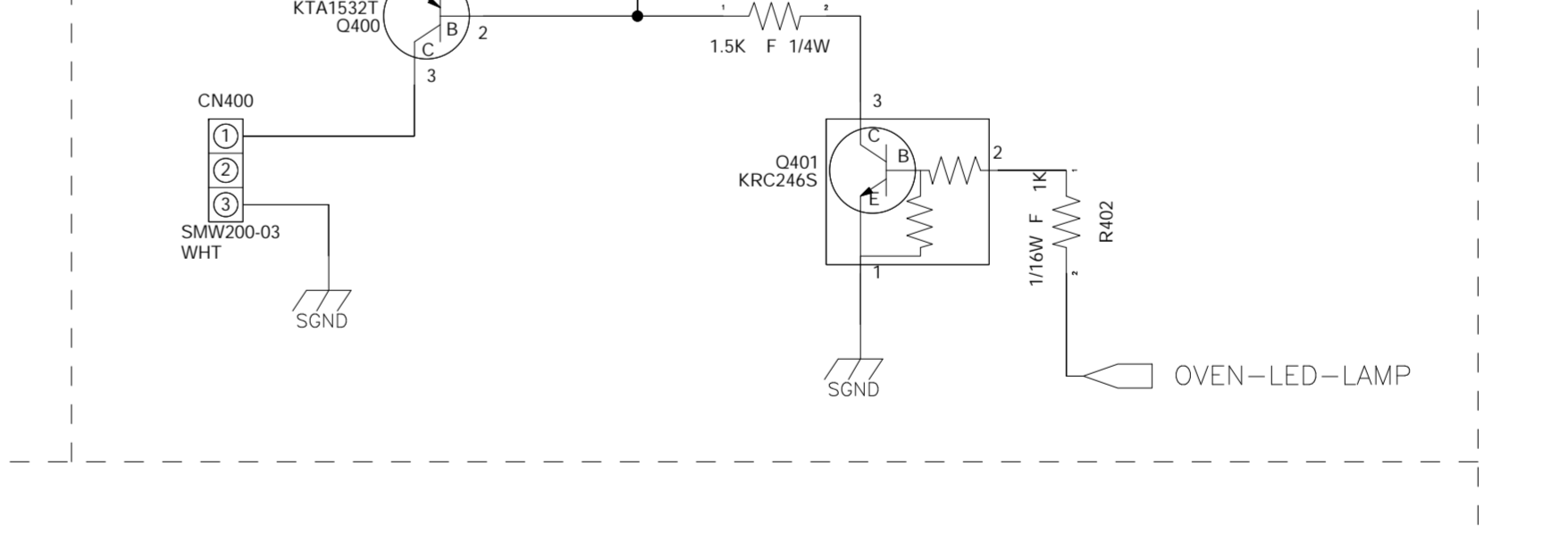
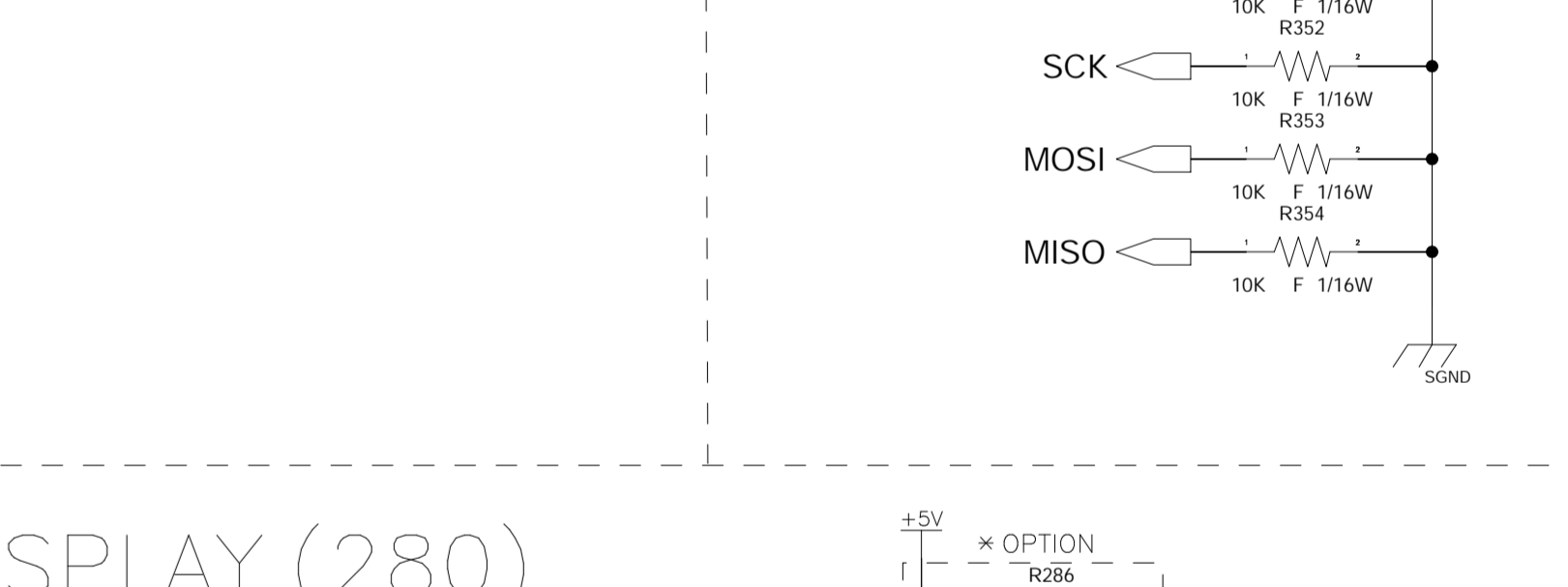
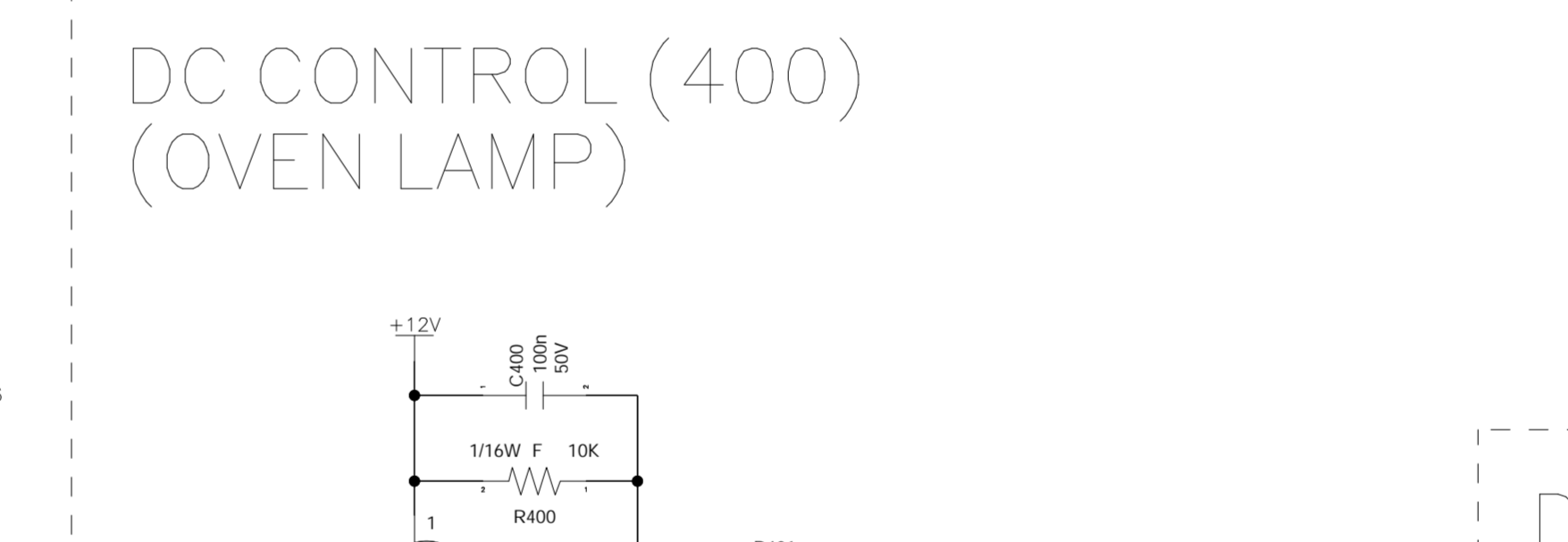
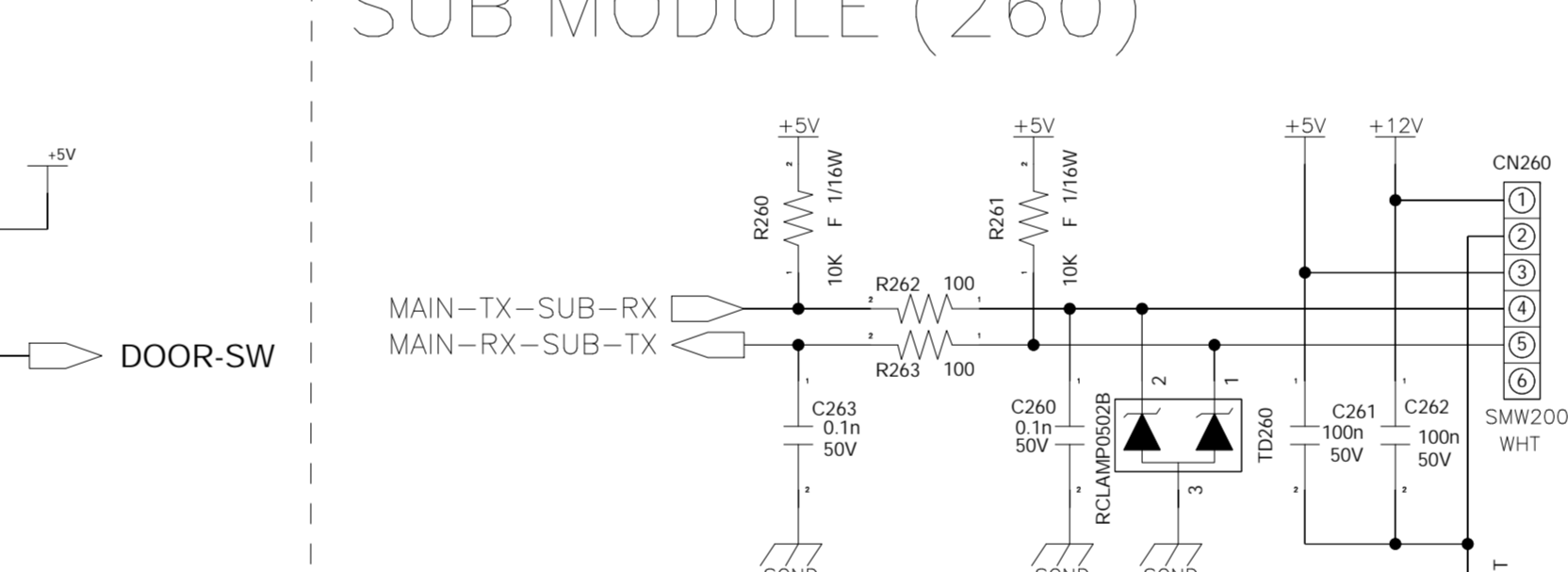
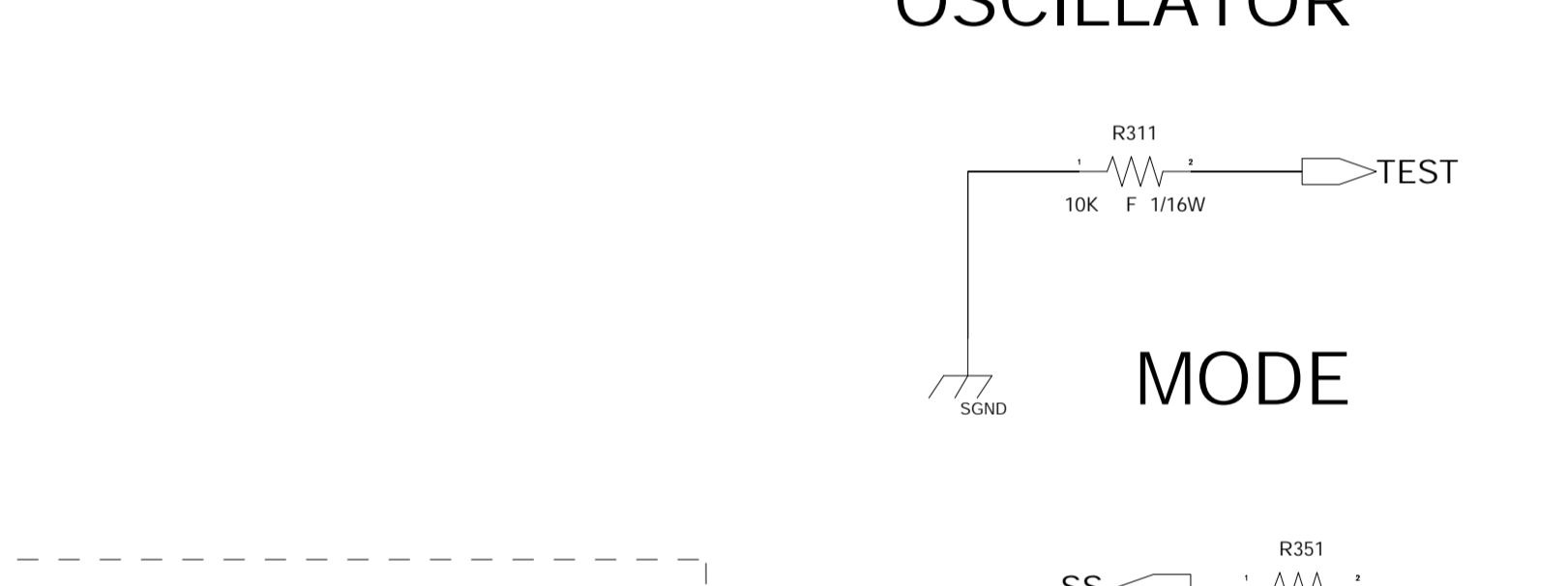
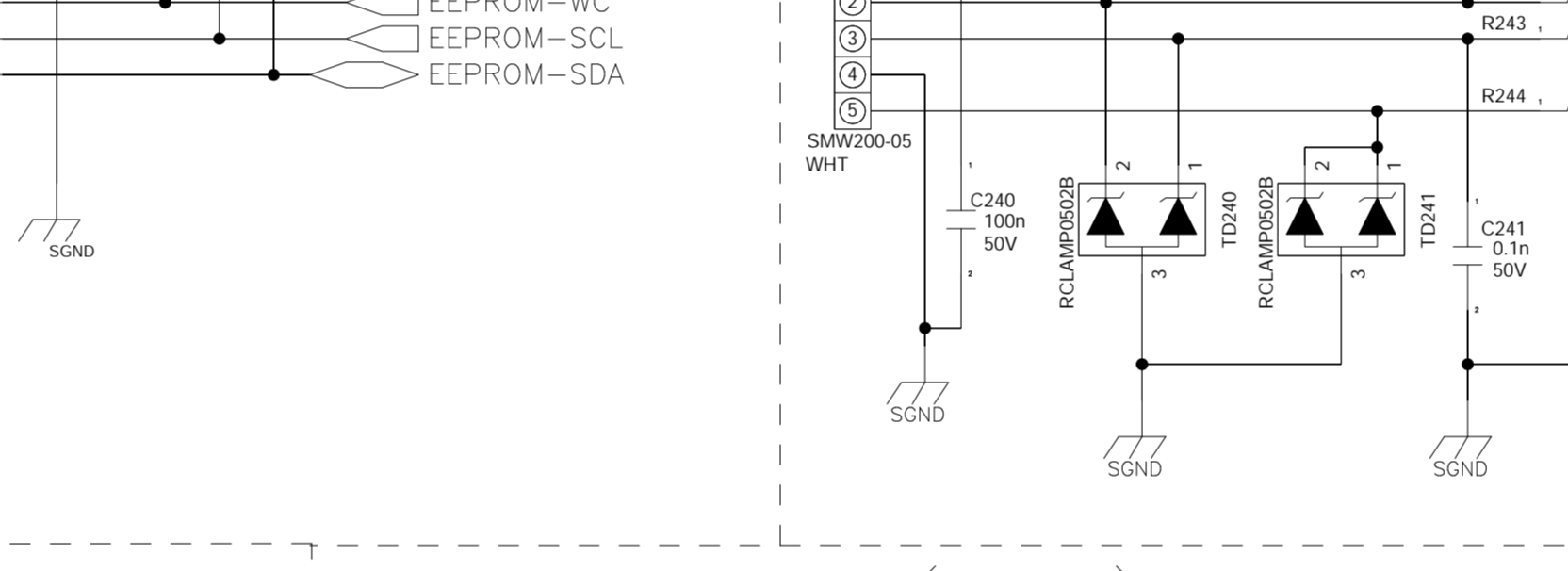
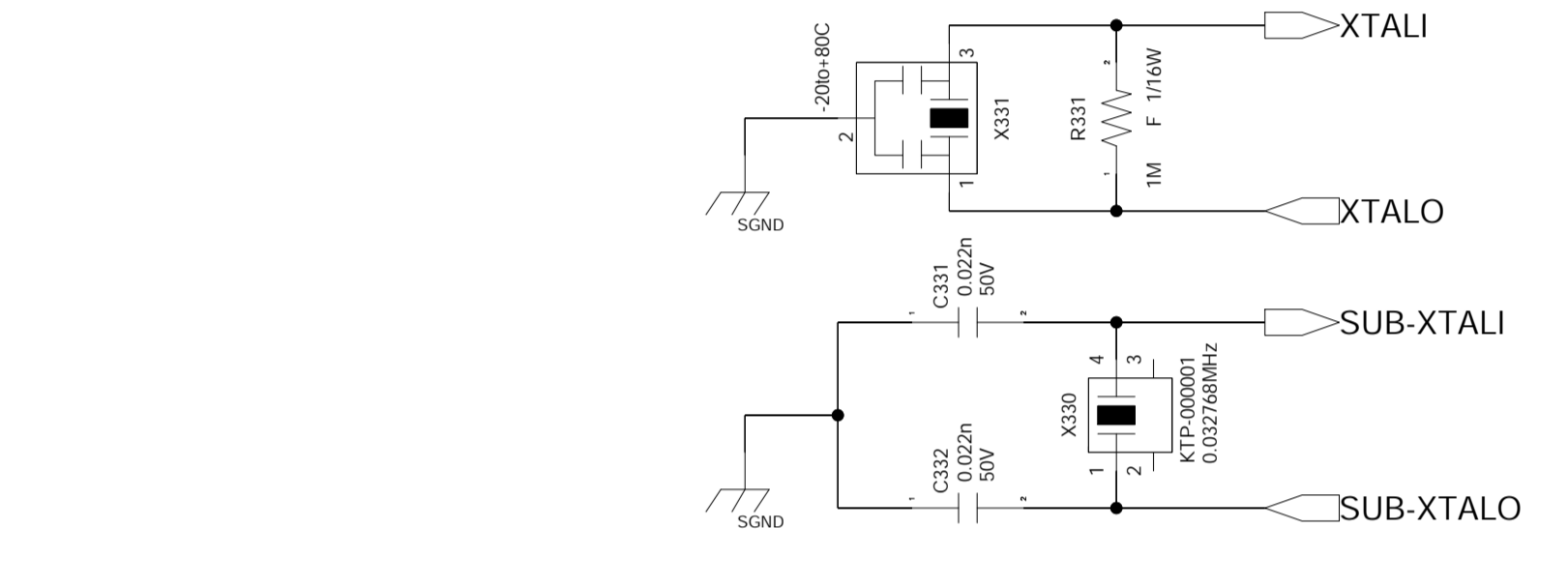
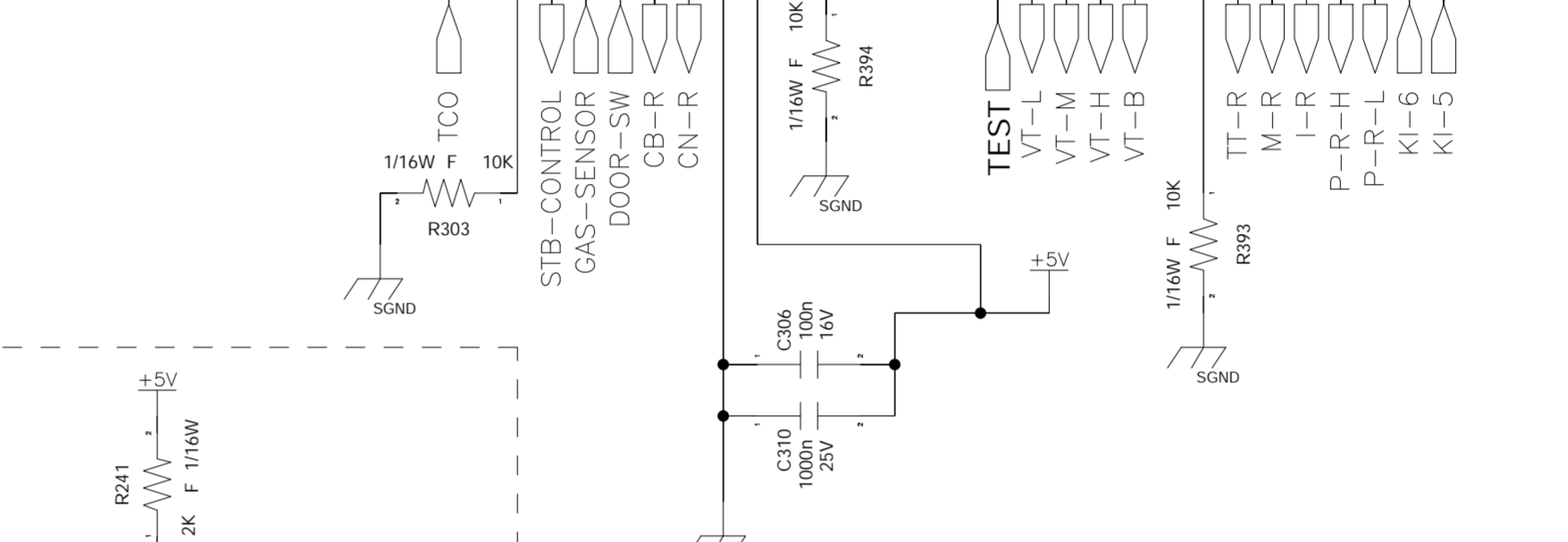
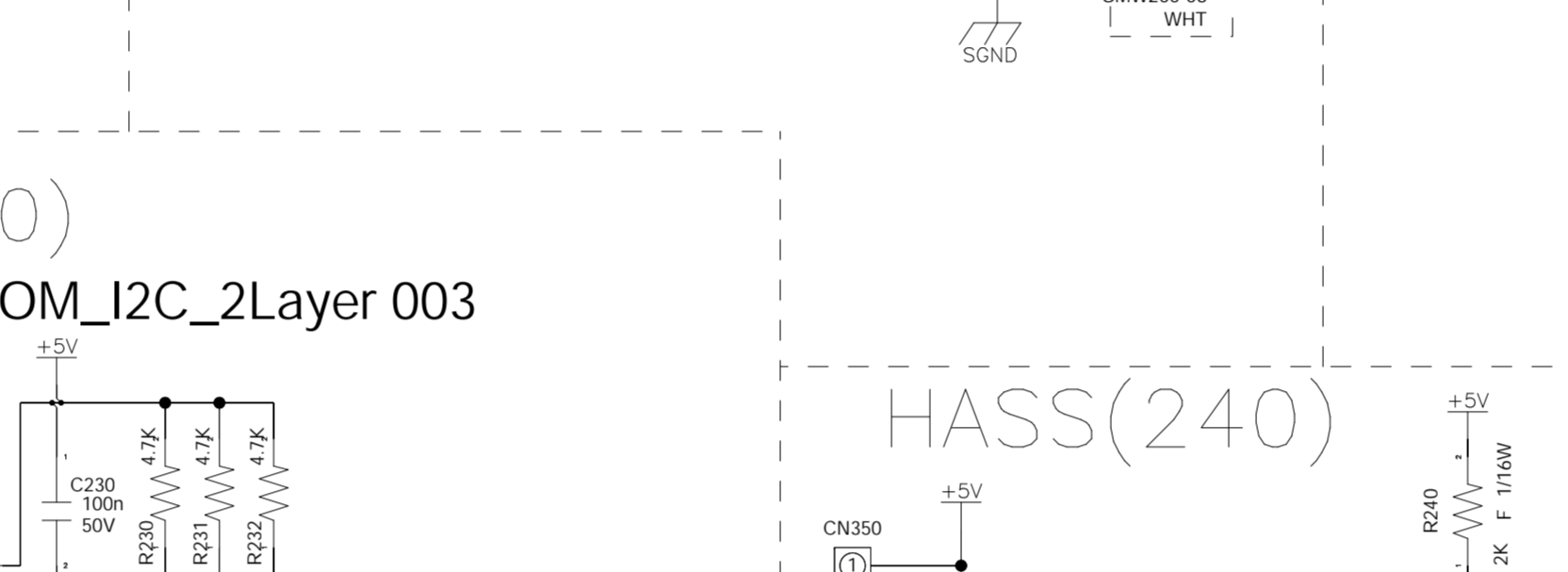
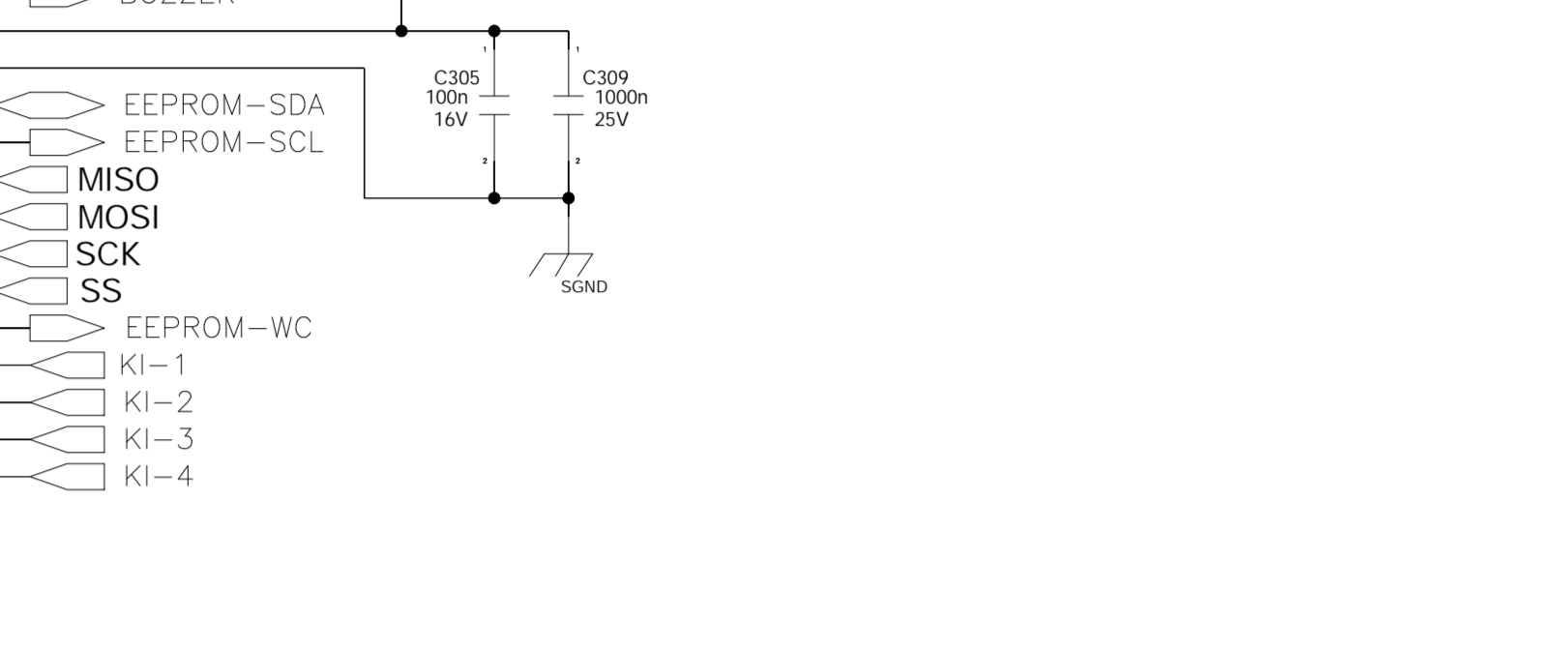
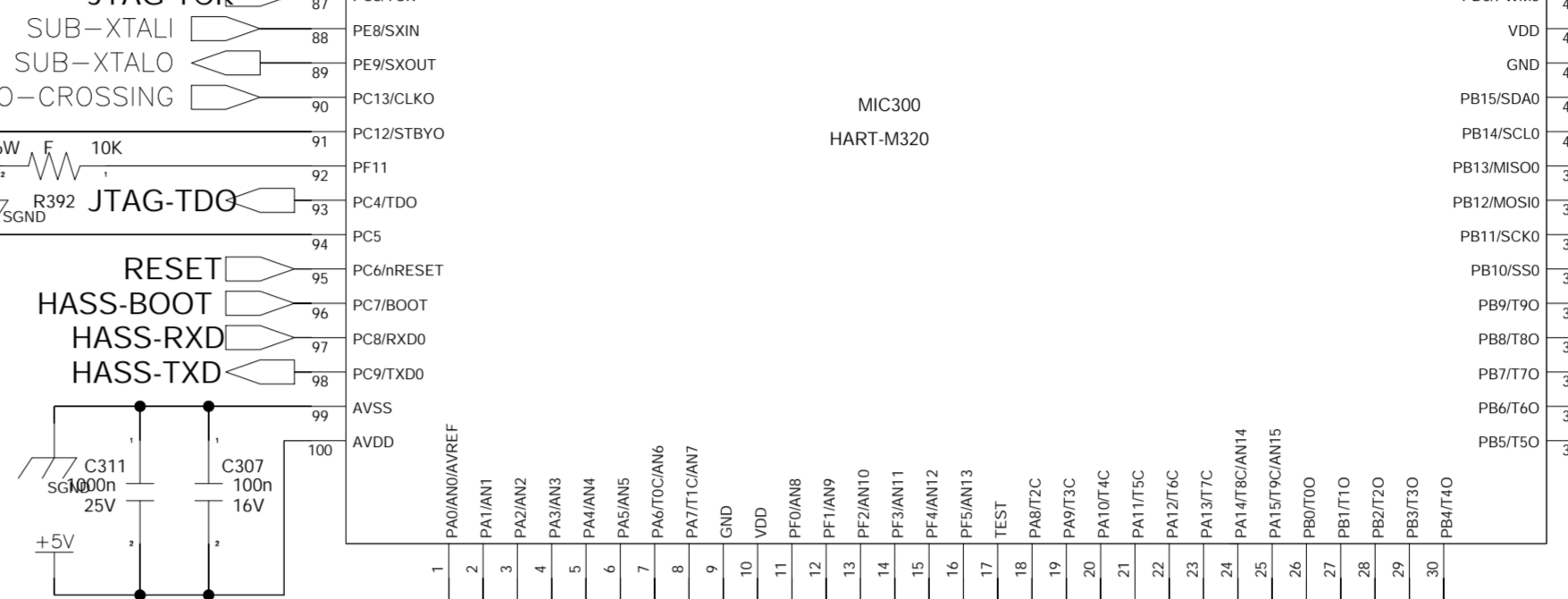
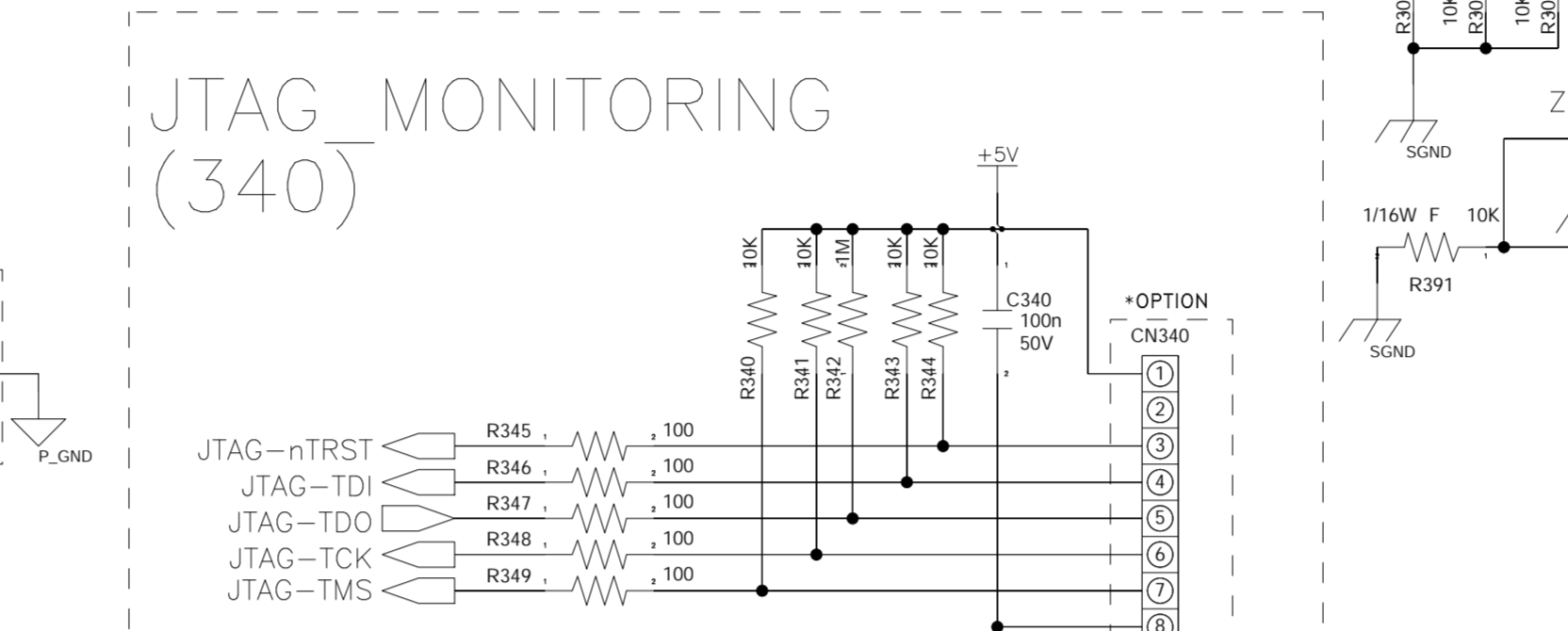
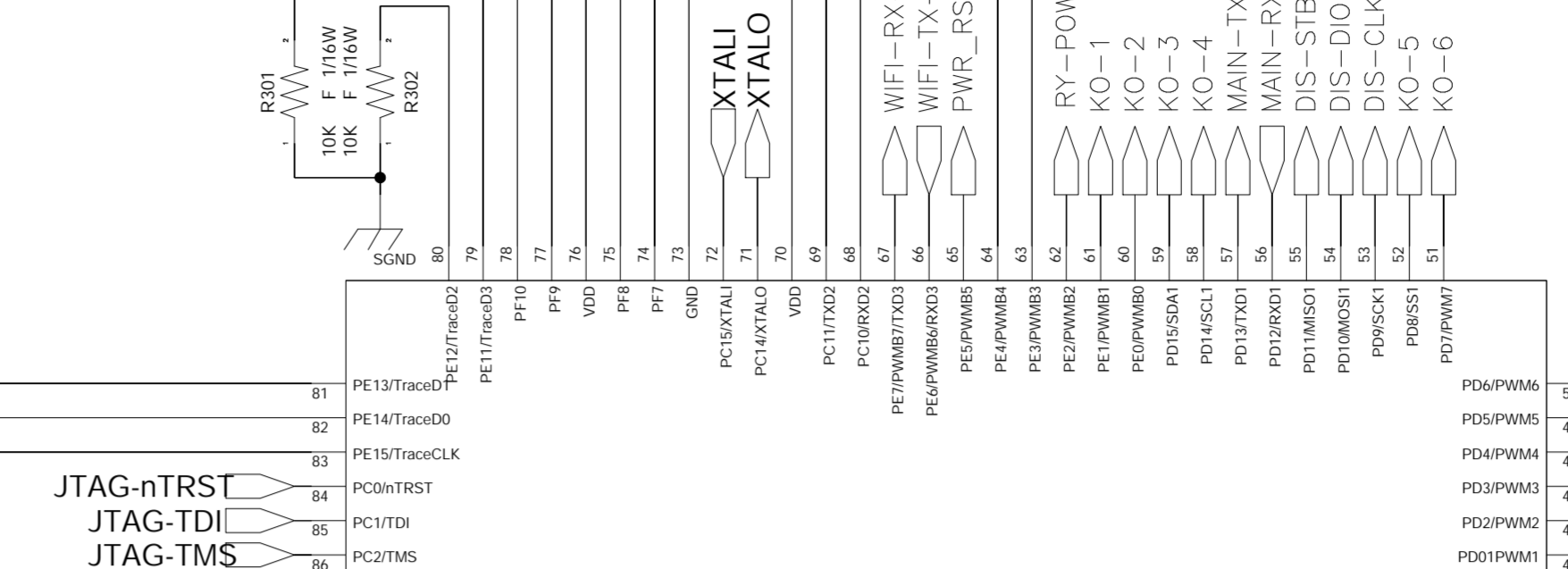
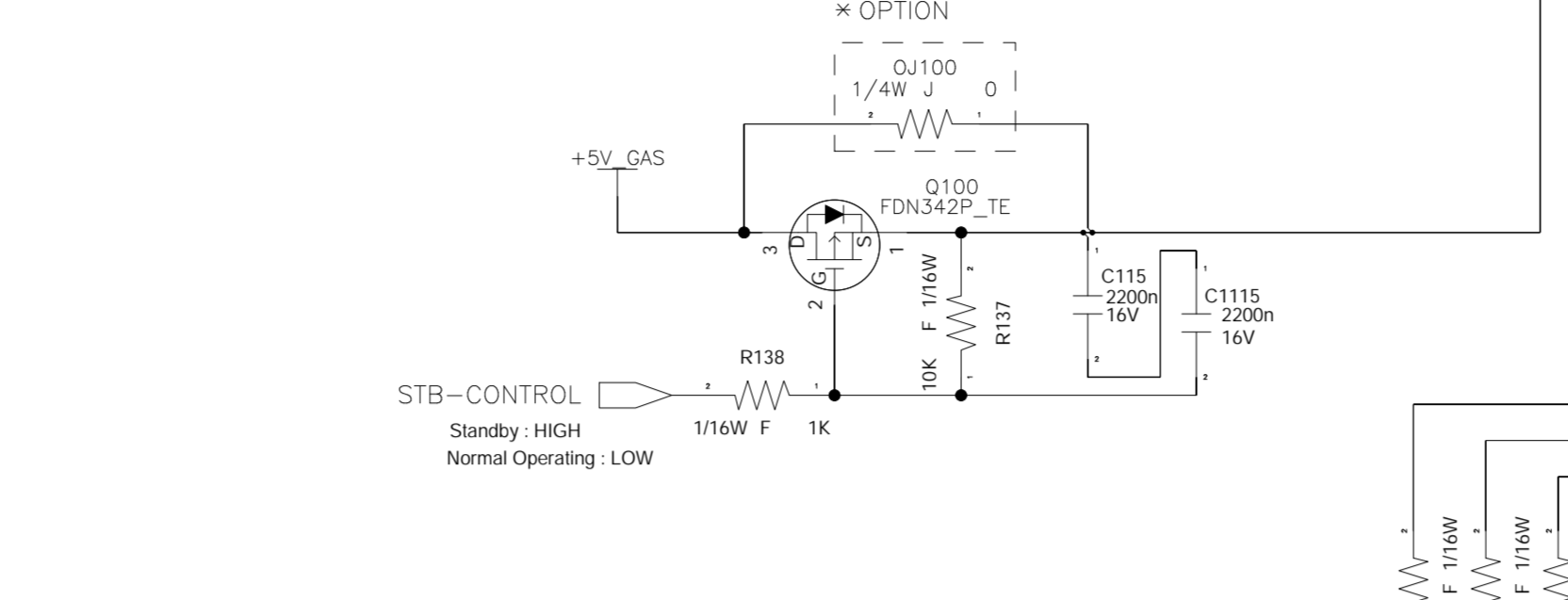
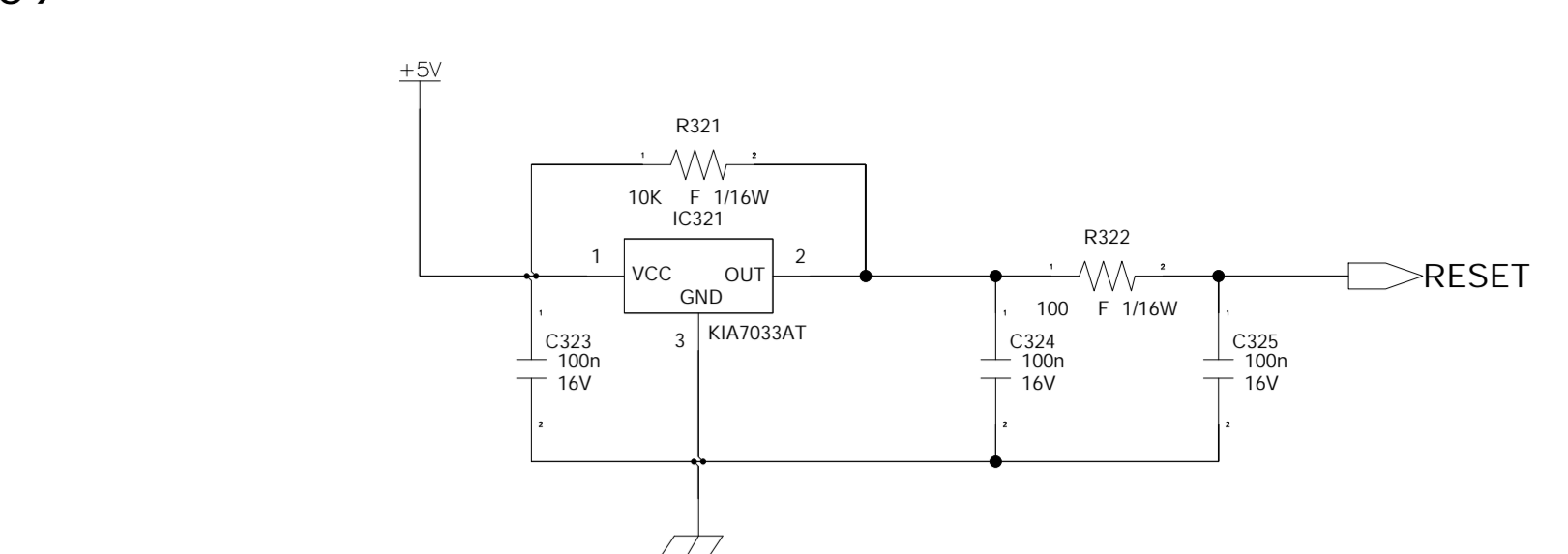
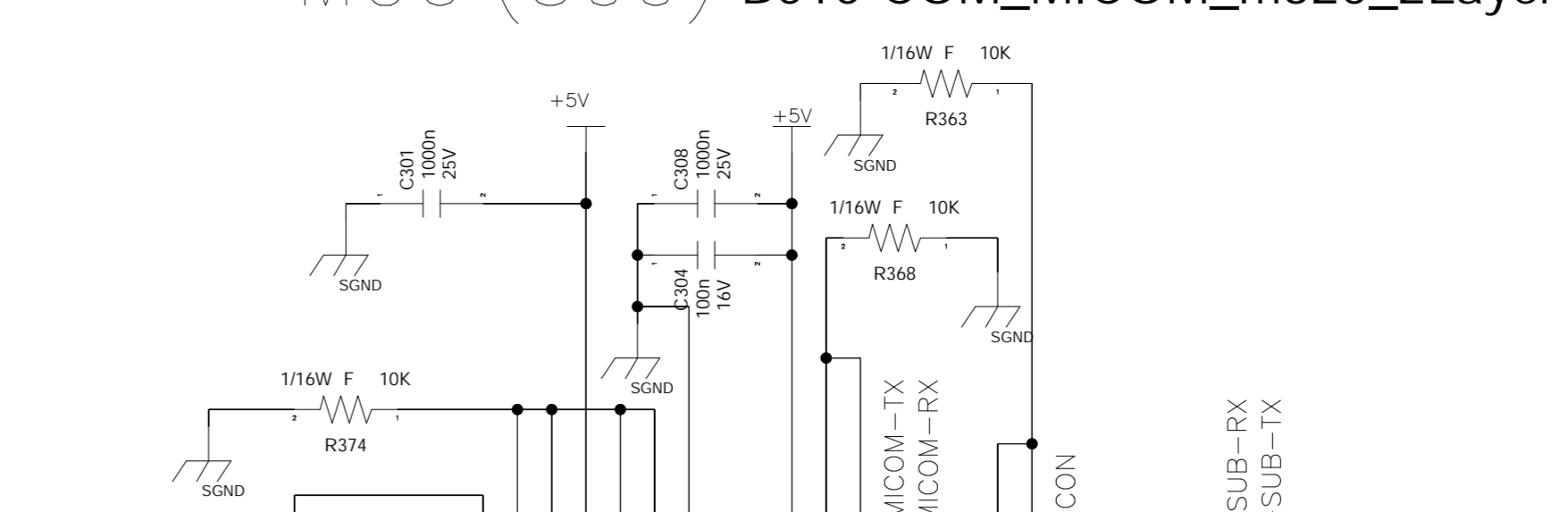
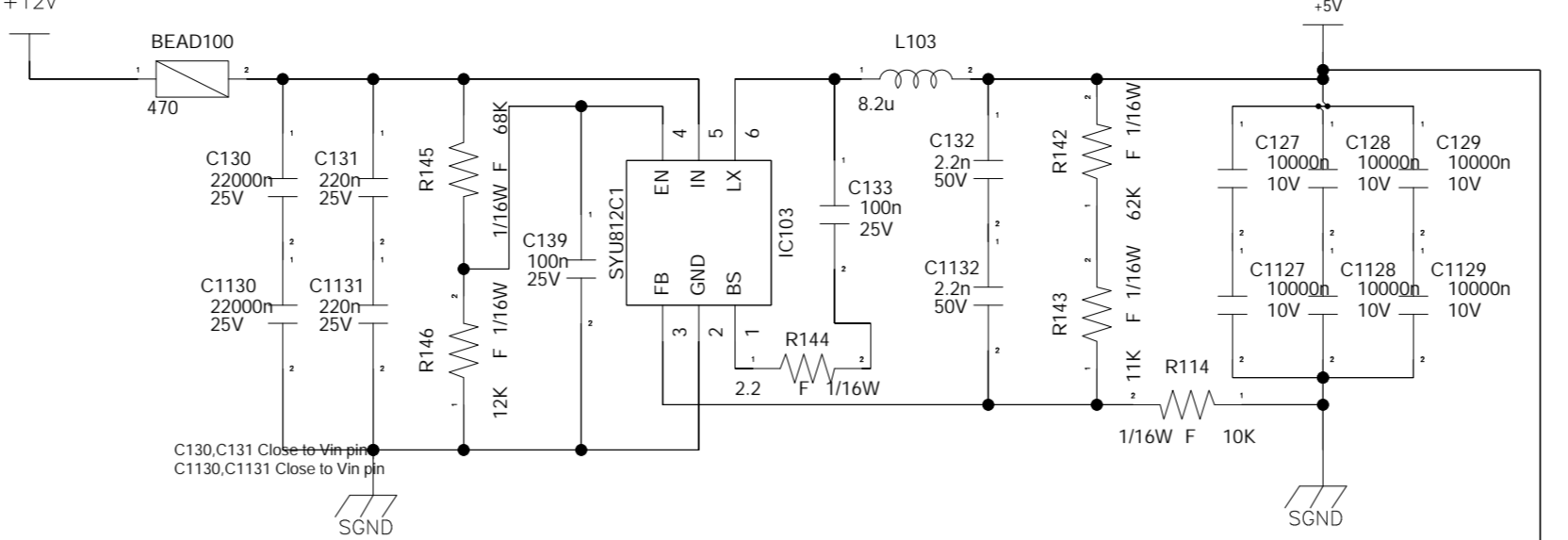
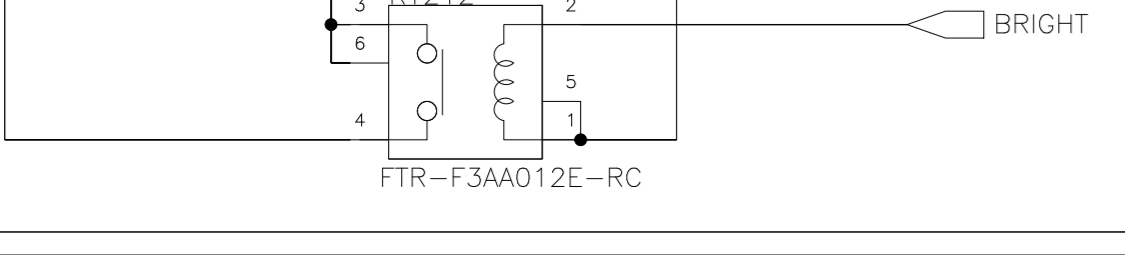
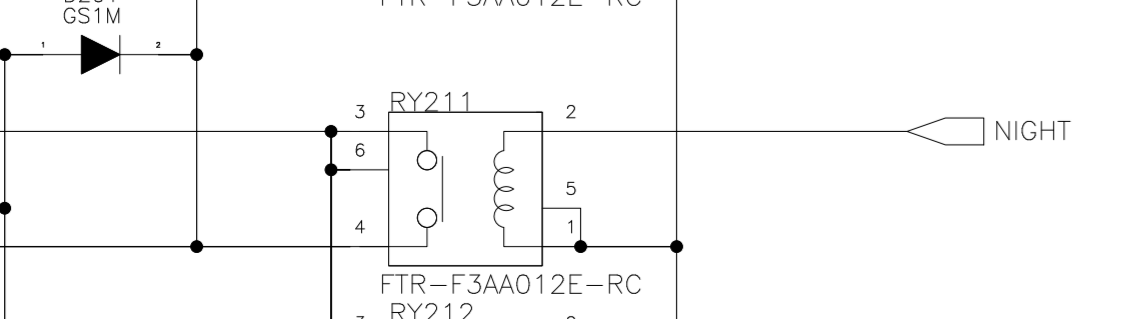
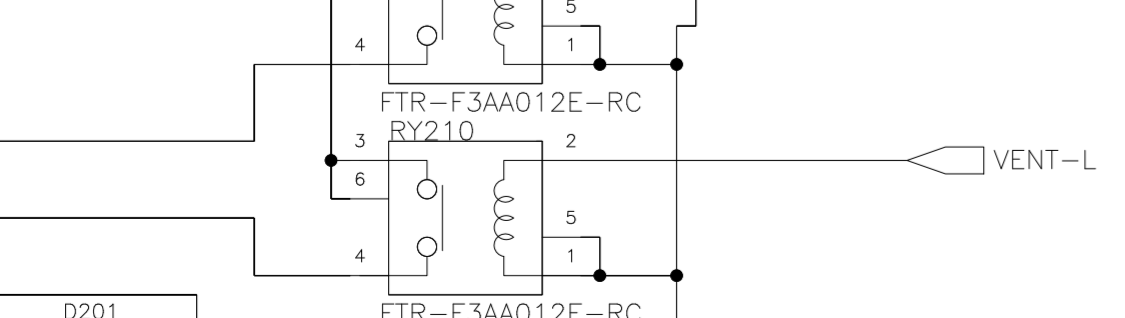
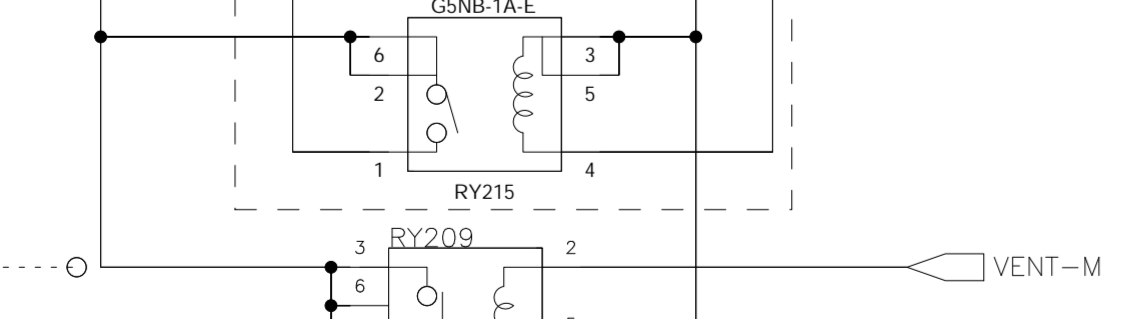
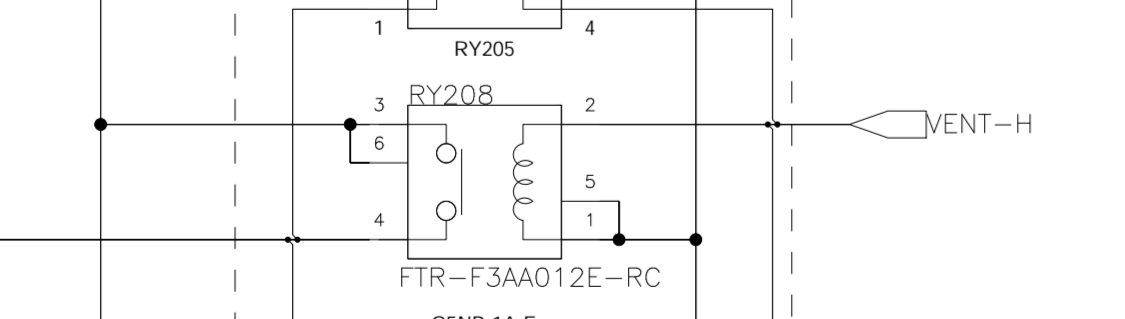
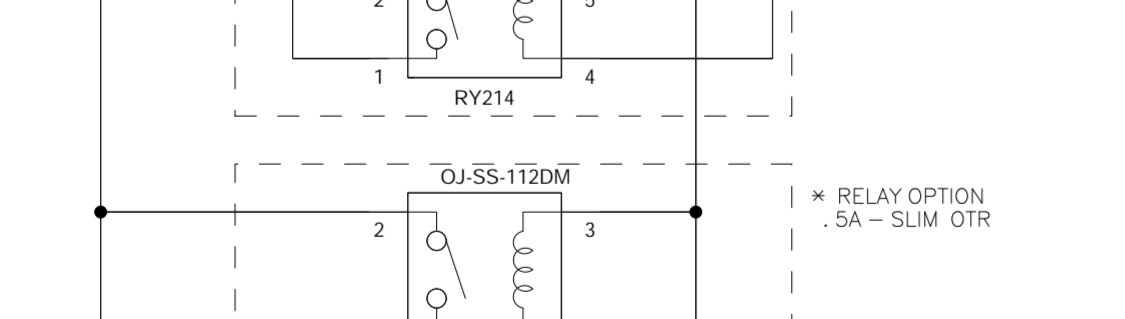
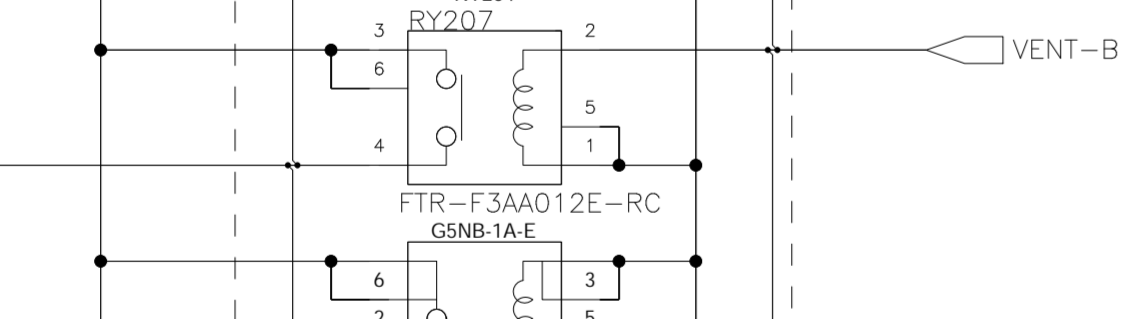
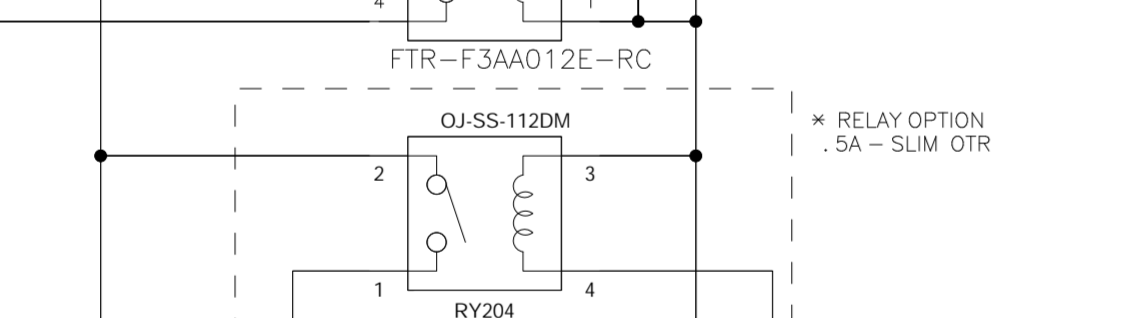
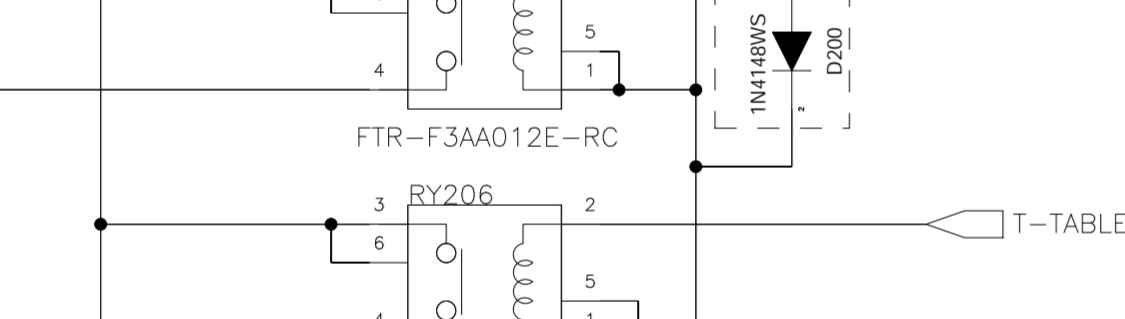
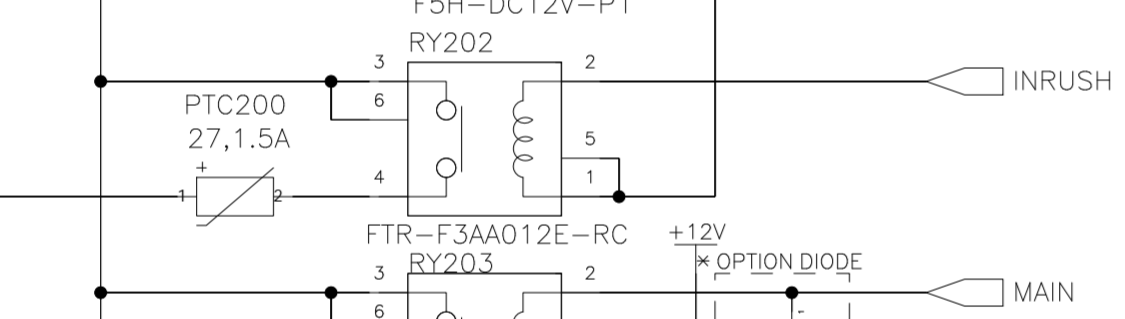
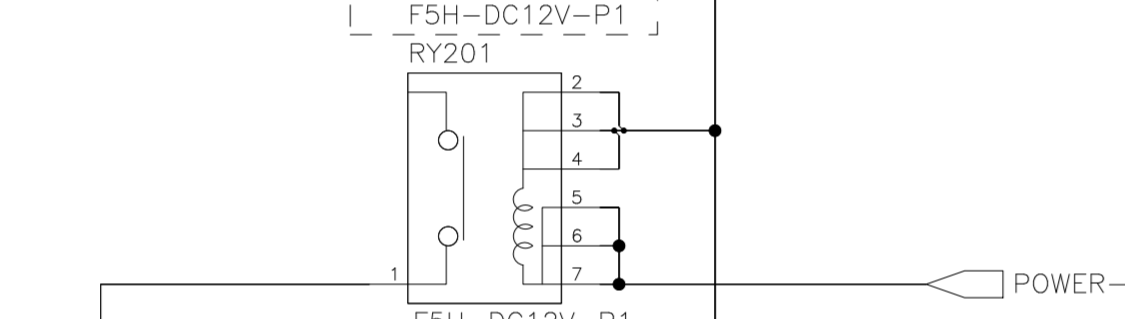
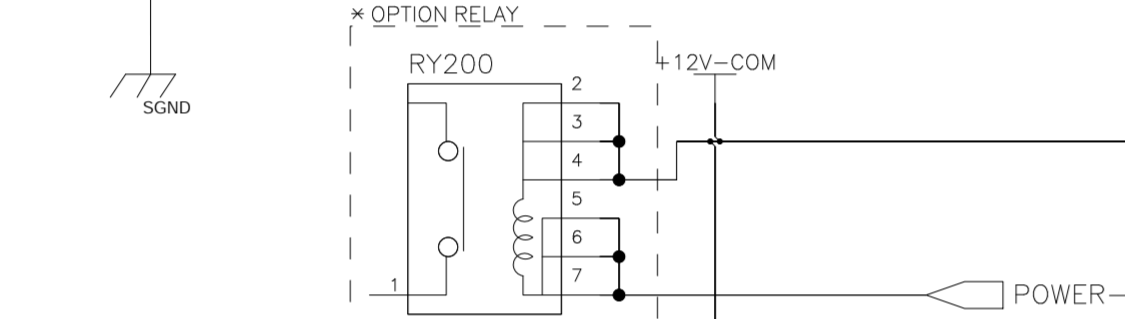
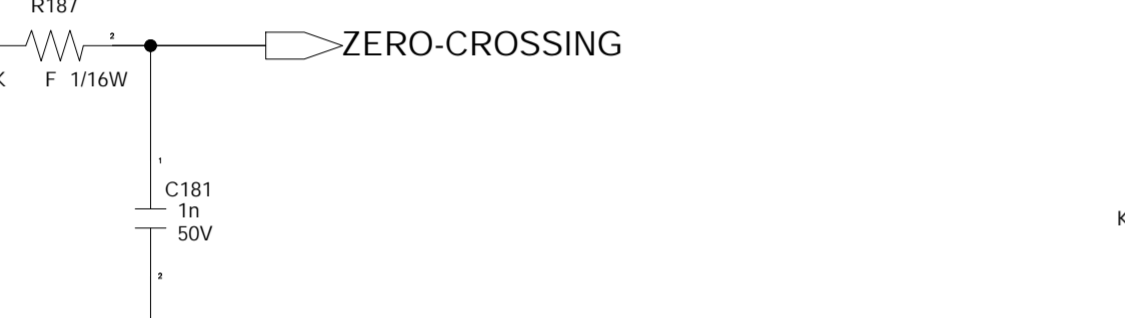


SMPS Block

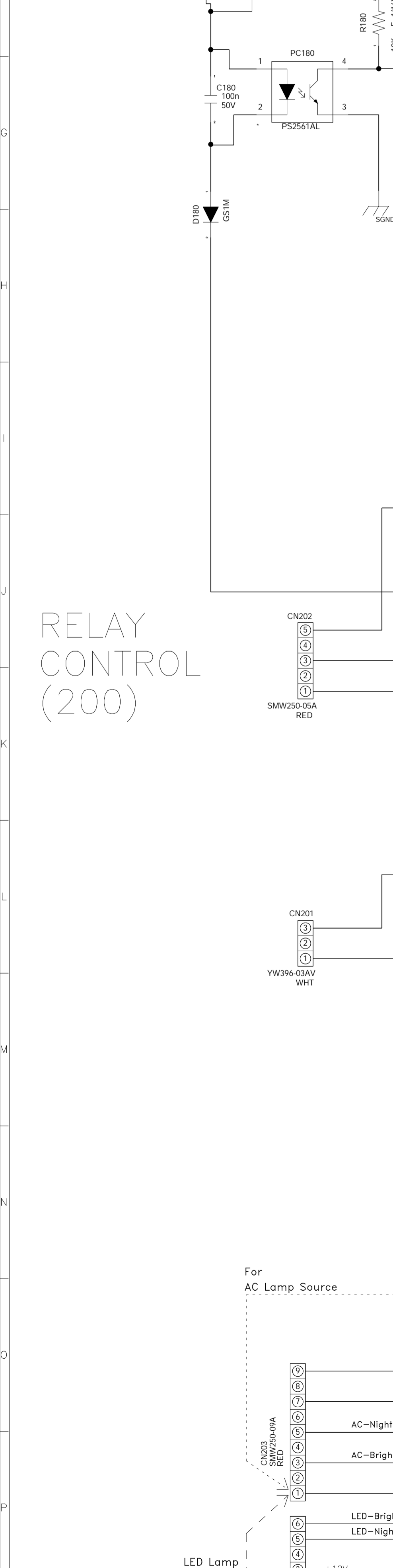


B003-COM_Zero_Crossing_2Layer 004

INTERRUPT (180)



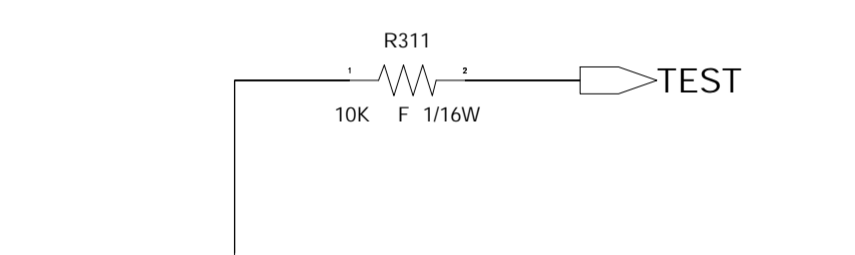
RELAY CONTROL (200)



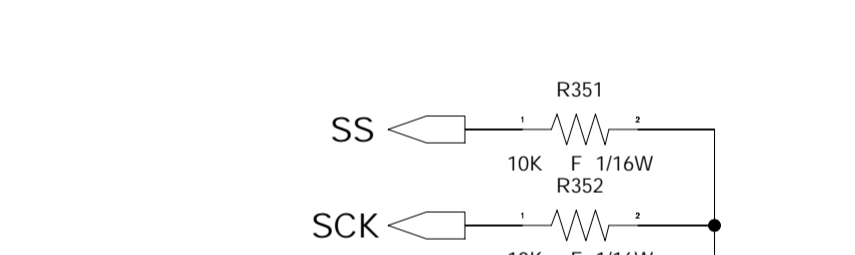
RESET



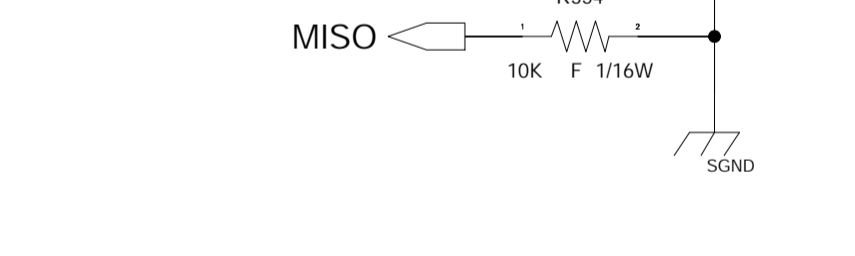
OSCILLATOR



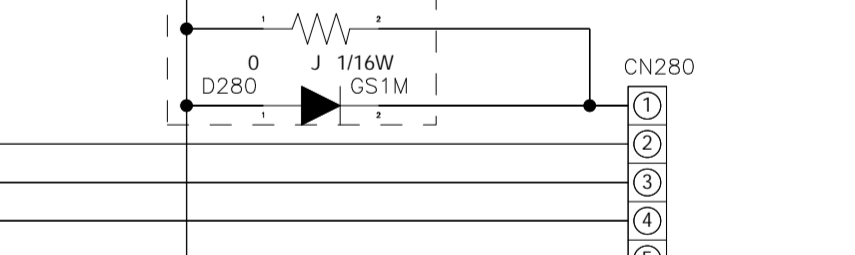
MODE



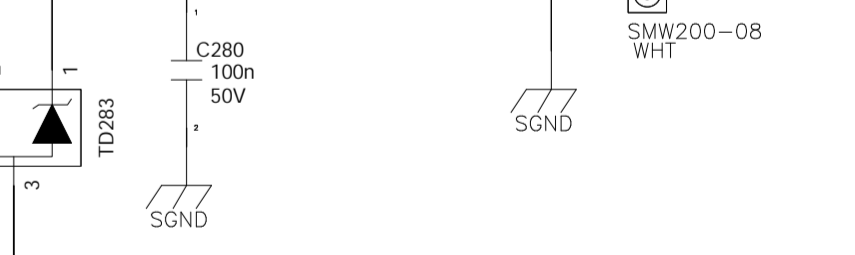
SS



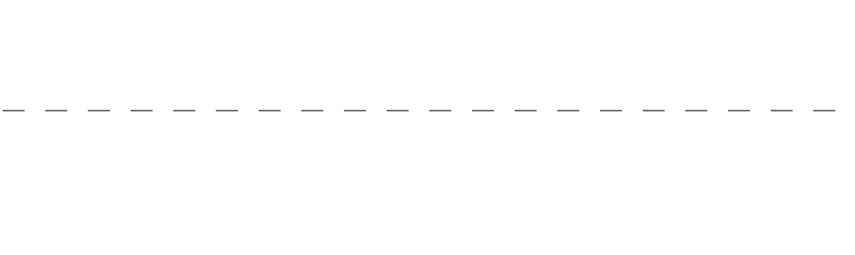
SCK



MOSI



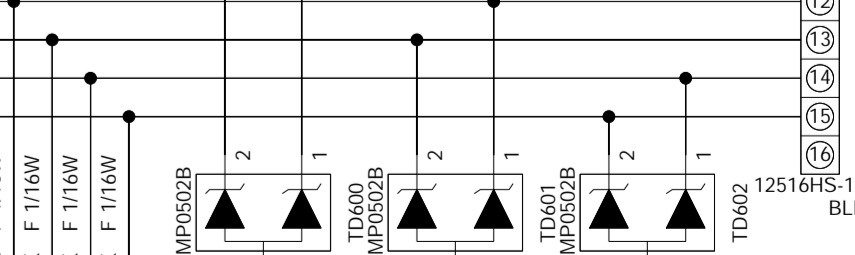
MISO



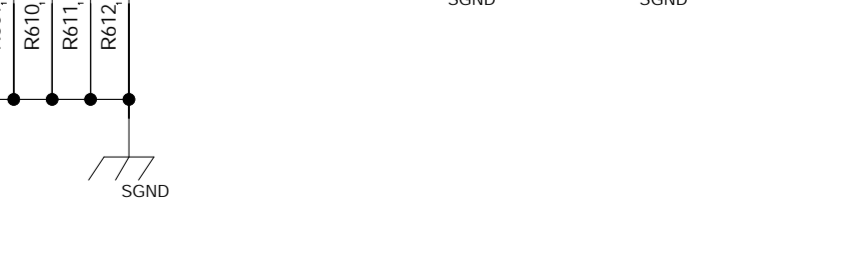
SS



SCK



MOSI



MISO

