

SCHEMATIC DIAGRAM

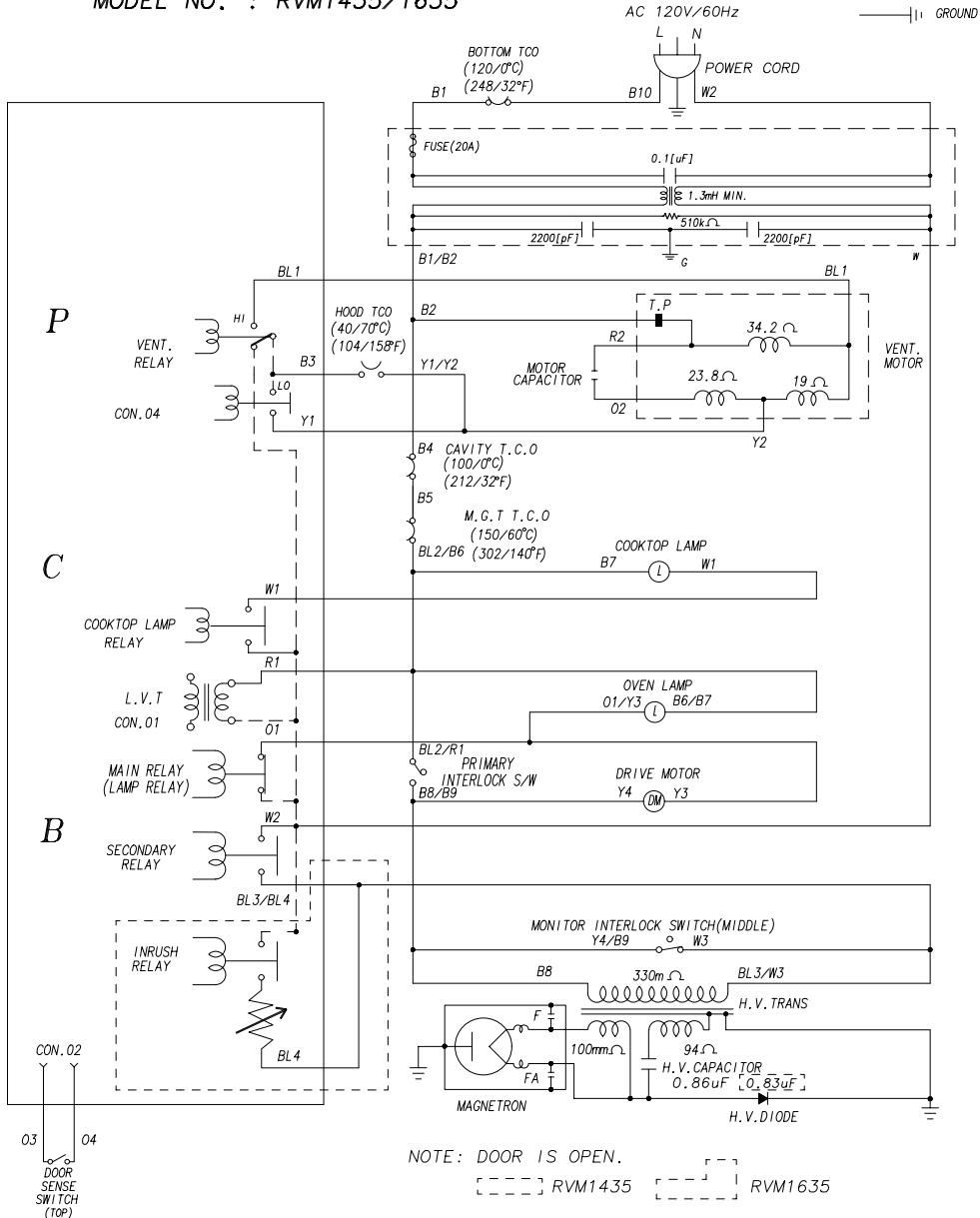
WARNING

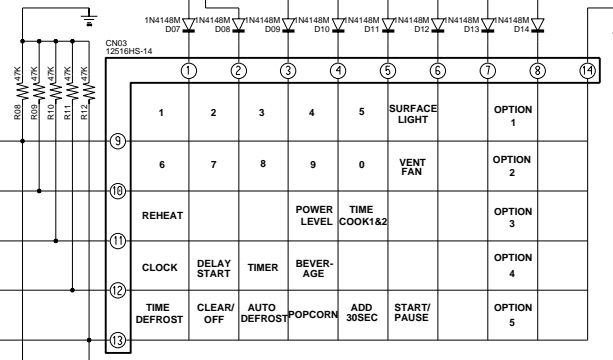
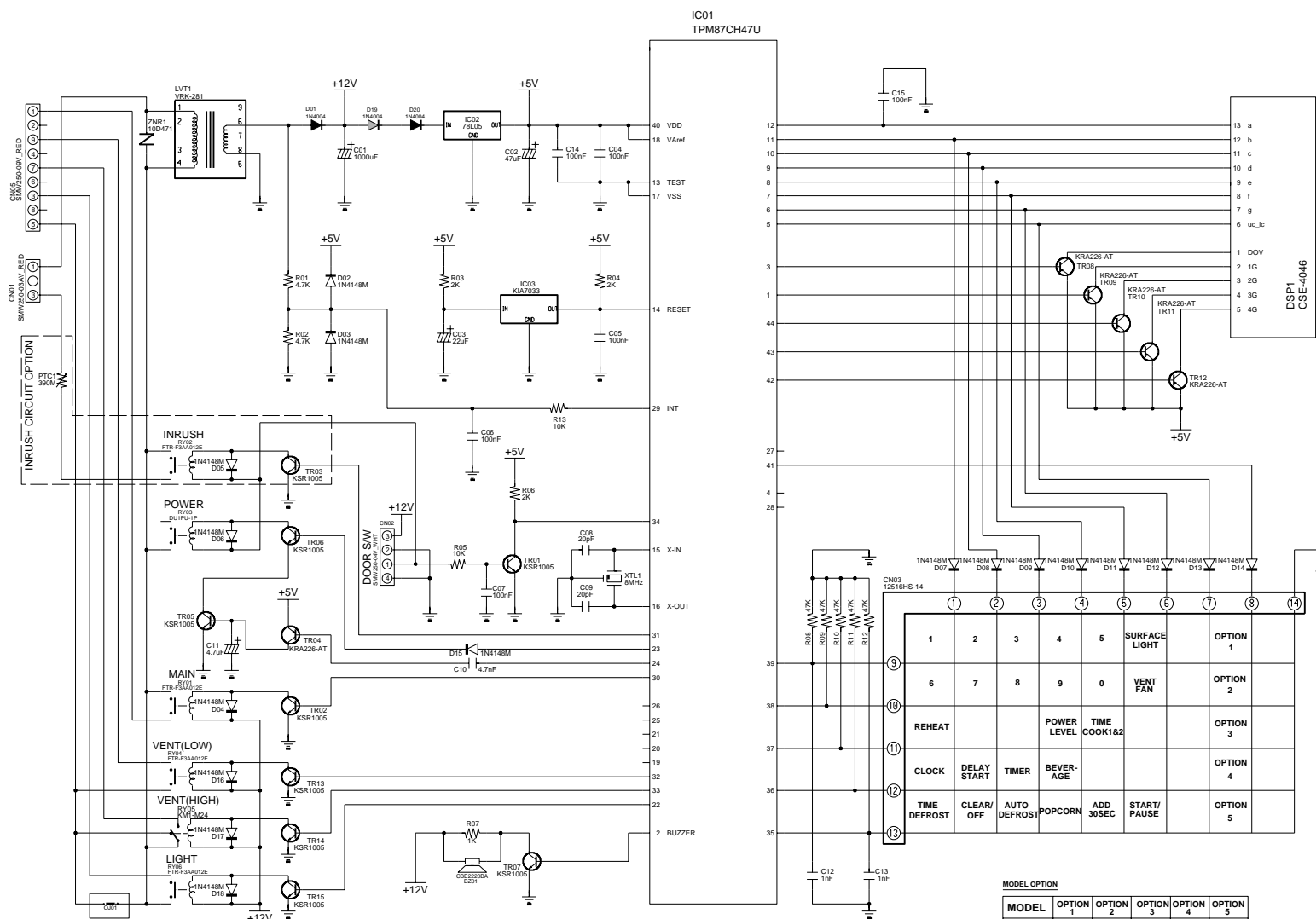
POWER MUST BE DISCONNECTED
BEFORE SERVICING THIS APPLIANCE

LC OTR

MODEL NO. : RVM1435/1635

COLOR	SYMBOL
GRAY	GR
WHITE	W
BLACK	B
RED	R
BLUE	BL
ORANGE	O
YELLOW	Y
GREEN	G
PINK	P
AZURE	A
VIOLET	V





MODEL OPTION

MODEL	OPTION 1	OPTION 2	OPTION 3	OPTION 4	OPTION 5
RVM1435	X	X	X	X	X
RVM1625	O	X	X	X	X

ENGINEER RBE KIM	COMPANY NAME
DRAWN BY RBE KIM	Address
DATE CHK RBE KIM	City
QC CHK RBE KIM	TITLE
MFG ENGR CHK RBE KIM	D2LED5
Checked by	REV Drawing Number
Date Changed	Sheet 1 of 1
10/20/2004	