

October 20, 2005

Federal Communications Commission
Equipment Approval Services
7435 Oakland Mills Road
Columbia, MD 21046

SUBJECT: **Samsung Electronics Co., Ltd.**
FCC ID: A3LLASERMFP1600N
Class II Permissive Change
Orig. Grant Date: February 20, 2004

Gentlemen:

Transmitted herewith, on behalf of Samsung Electronics Co., Ltd. is an application for a Class II Permissive Change Certification of the following Multi Function Printer:

FCC ID: A3LLASERMFP1600N
Model: Dell Laser MFP 1600n

The device is identical to the previously certified Multi Function Printer except for the following:

1. Alternate CPU: Chorusm (type No.)

Attached are the applicant's External Photos, Test Setup Photos and Measurement report.

Should you have any questions or comments concerning the above, please contact the undersigned.



Randy Ortanez
President

cc: SAMSUNG Electronics Co., Ltd.

Annex A. Changing information of EUT

- CPU(Chorusm) Revision : JBIG Input Module Change

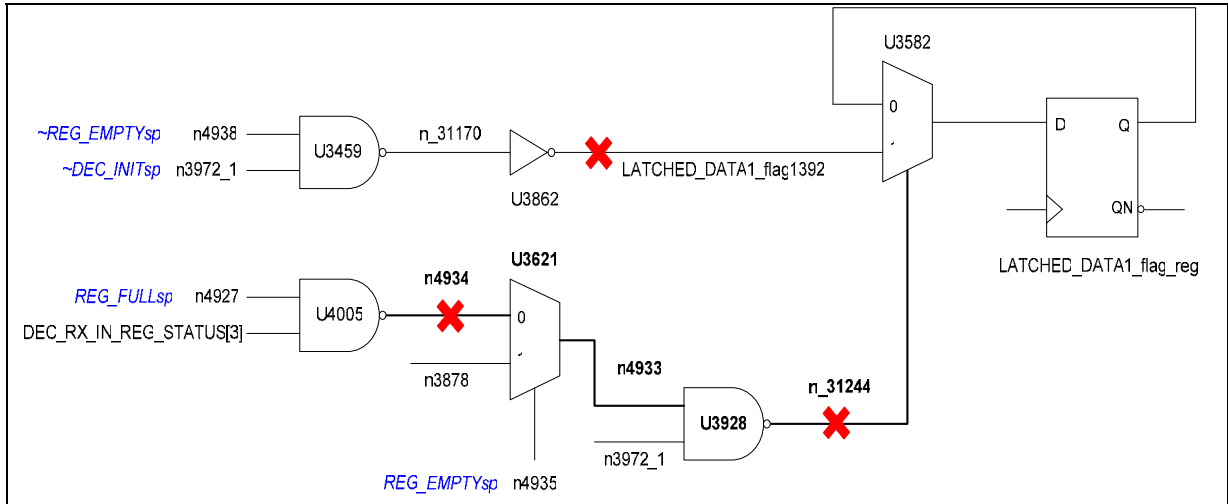


Fig.1 Before

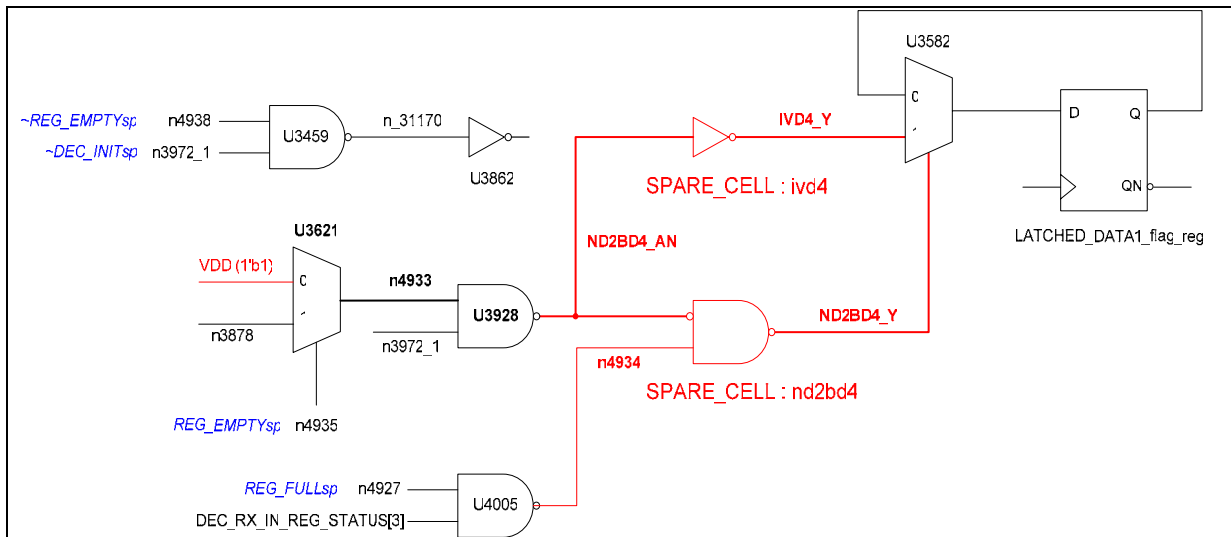


Fig. 2 After