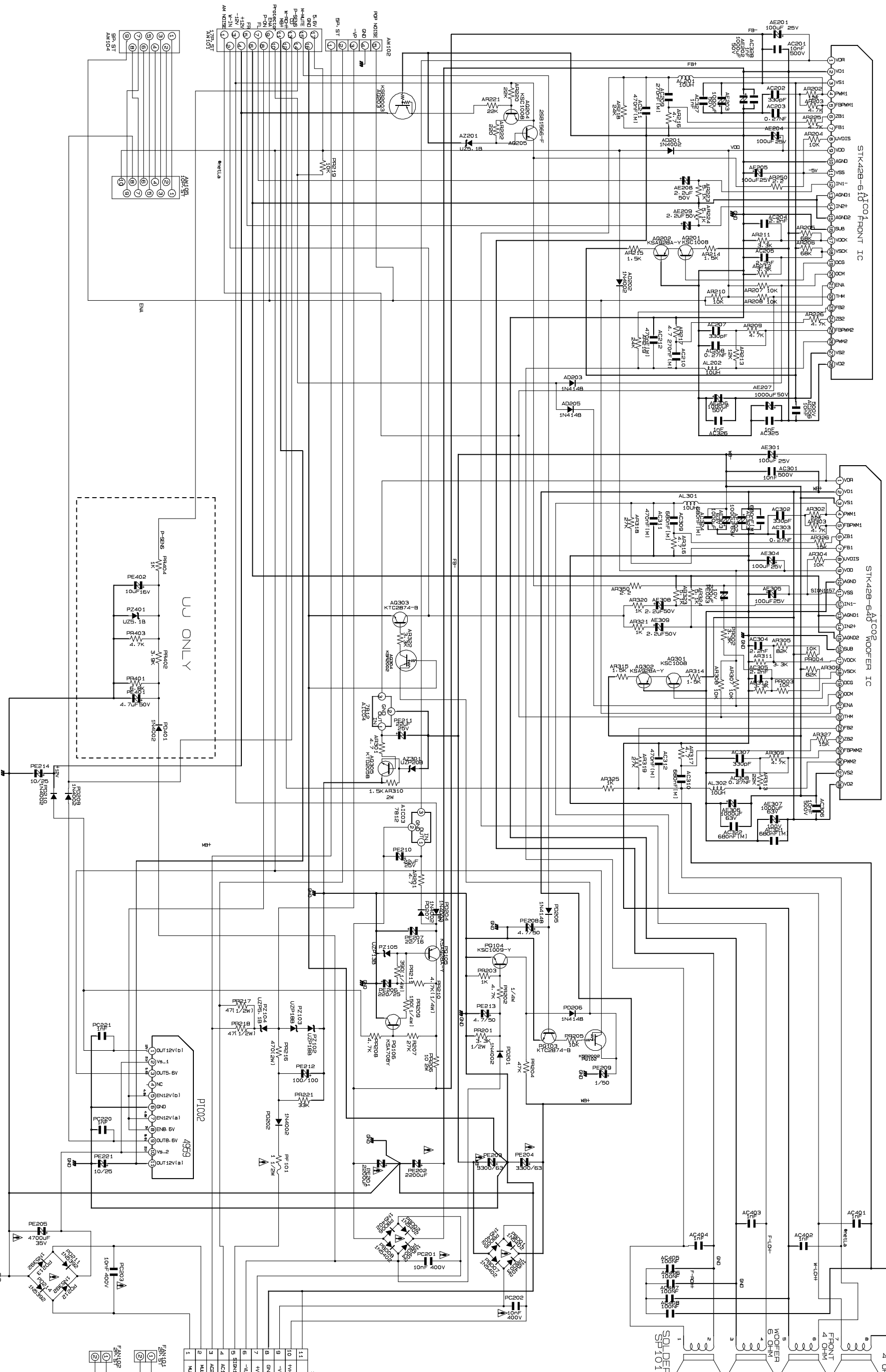
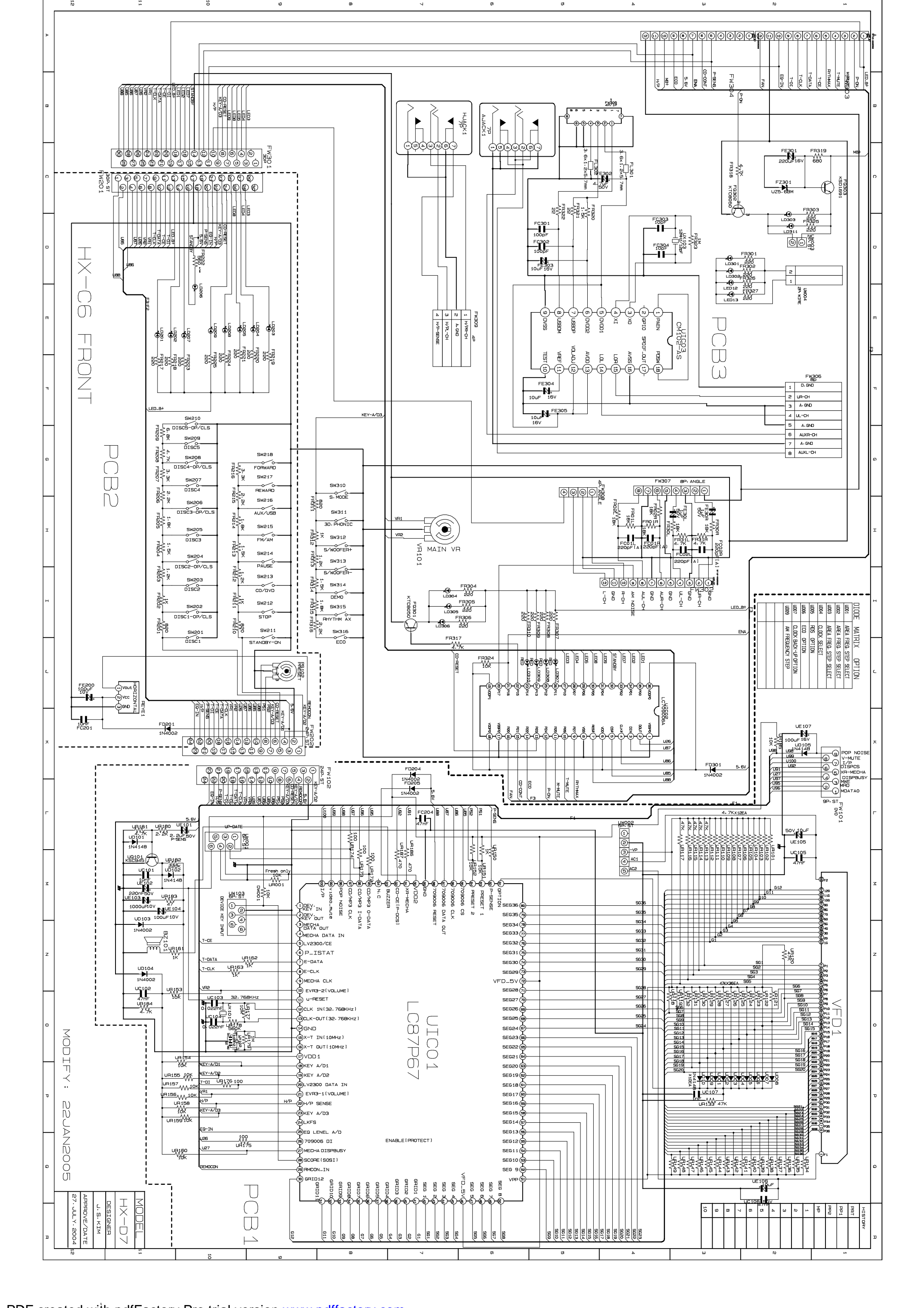


HX-C6 AMP & POWER



HISTORY	REV	DESCRIPTION
1	FR1	FRONT
2	FR2	FRONT
3	FR3	FRONT
4	FR4	FRONT
5	FR5	FRONT
6	FR6	FRONT
7	FR7	FRONT
8	FR8	FRONT
9	FR9	FRONT
10	FR10	FRONT

MODEL	1-1
HK-06/07	
DESIGNER	J. S. KIM
APPROVE/DATE	27. JUL. Y. 2004



HX-C6 FRONT

PCB2

PCB3

MODIFY: 22JAN2005

MODEL
HX-D7

DESIGNER
J. S. KIM

APPROVE/DATE
27. JULY. 2004

PCB1

UIC01
LC87P67

VFD1

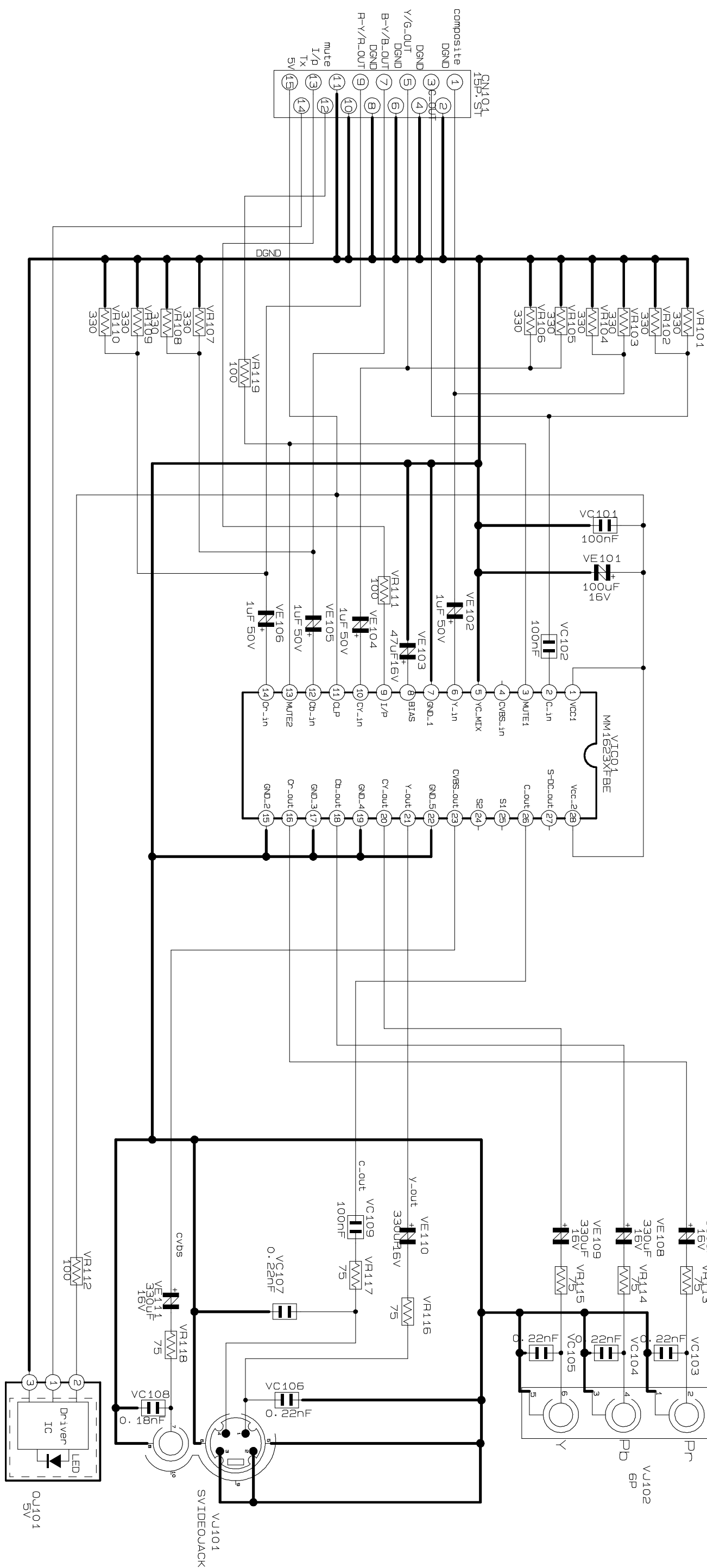
DIODE MATRIX OPTION

0001	AREA FIELD STEP SELECT
0002	AREA FIELD STEP SELECT
0003	AREA FIELD STEP SELECT
0004	CLOCK SELECT
0005	ESC OPTION
0006	ESC OPTION
0007	CLOCK BACK-UP OPTION
0008	AM FREQUENCY STEPS
0009	AM FREQUENCY STEPS

1	D. GND
2	LP-CH
3	A. GND
4	UL-CH
5	A. GND
6	AUXR-CH
7	A. GND
8	AUXL-CH

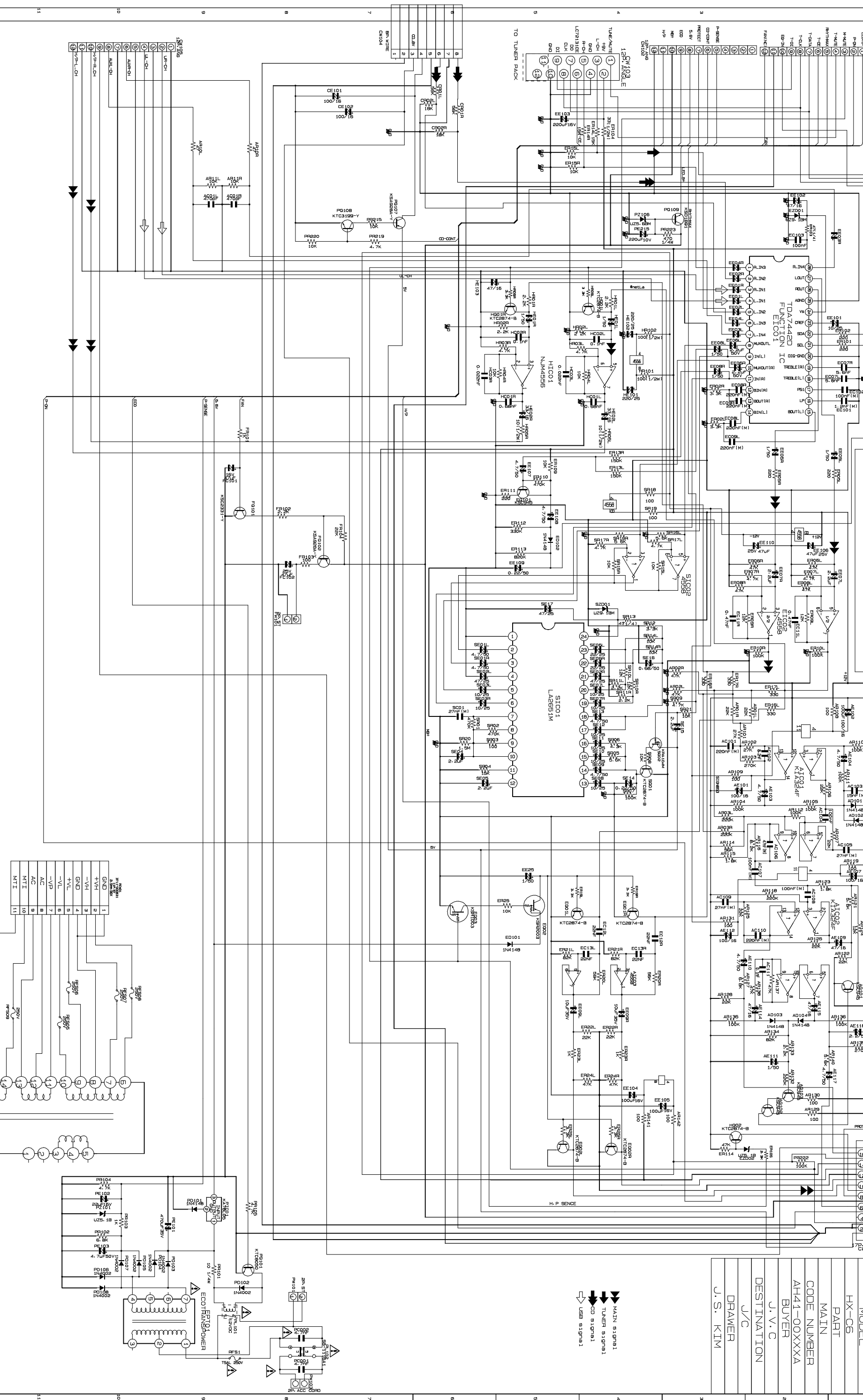
1	KEY-A/D1
2	KEY-A/D2
3	KEY-A/D3
4	KEY-A/D4
5	KEY-A/D5
6	KEY-A/D6
7	KEY-A/D7
8	KEY-A/D8
9	KEY-A/D9
10	KEY-A/D10
11	KEY-A/D11
12	KEY-A/D12
13	KEY-A/D13
14	KEY-A/D14
15	KEY-A/D15
16	KEY-A/D16
17	KEY-A/D17
18	KEY-A/D18
19	KEY-A/D19
20	KEY-A/D20
21	KEY-A/D21
22	KEY-A/D22
23	KEY-A/D23
24	KEY-A/D24
25	KEY-A/D25
26	KEY-A/D26
27	KEY-A/D27
28	KEY-A/D28
29	KEY-A/D29
30	KEY-A/D30
31	KEY-A/D31
32	KEY-A/D32
33	KEY-A/D33
34	KEY-A/D34
35	KEY-A/D35
36	KEY-A/D36
37	KEY-A/D37
38	KEY-A/D38
39	KEY-A/D39
40	KEY-A/D40
41	KEY-A/D41
42	KEY-A/D42
43	KEY-A/D43
44	KEY-A/D44
45	KEY-A/D45
46	KEY-A/D46
47	KEY-A/D47
48	KEY-A/D48
49	KEY-A/D49
50	KEY-A/D50
51	KEY-A/D51
52	KEY-A/D52
53	KEY-A/D53
54	KEY-A/D54
55	KEY-A/D55
56	KEY-A/D56
57	KEY-A/D57
58	KEY-A/D58
59	KEY-A/D59
60	KEY-A/D60
61	KEY-A/D61
62	KEY-A/D62
63	KEY-A/D63
64	KEY-A/D64
65	KEY-A/D65
66	KEY-A/D66
67	KEY-A/D67
68	KEY-A/D68
69	KEY-A/D69
70	KEY-A/D70
71	KEY-A/D71
72	KEY-A/D72
73	KEY-A/D73
74	KEY-A/D74
75	KEY-A/D75
76	KEY-A/D76
77	KEY-A/D77
78	KEY-A/D78
79	KEY-A/D79
80	KEY-A/D80
81	KEY-A/D81
82	KEY-A/D82
83	KEY-A/D83
84	KEY-A/D84
85	KEY-A/D85
86	KEY-A/D86
87	KEY-A/D87
88	KEY-A/D88
89	KEY-A/D89
90	KEY-A/D90
91	KEY-A/D91
92	KEY-A/D92
93	KEY-A/D93
94	KEY-A/D94
95	KEY-A/D95
96	KEY-A/D96
97	KEY-A/D97
98	KEY-A/D98
99	KEY-A/D99
100	KEY-A/D100

HISTORY
PRT
PR1
PR2
PR3
PR4
PR5
PR6
PR7
PR8
PR9
PR10
PR11
PR12
PR13
PR14
PR15
PR16
PR17
PR18
PR19
PR20
PR21
PR22
PR23
PR24
PR25
PR26
PR27
PR28
PR29
PR30
PR31
PR32
PR33
PR34
PR35
PR36
PR37
PR38
PR39
PR40
PR41
PR42
PR43
PR44
PR45
PR46
PR47
PR48
PR49
PR50



MODEL NAME : HX-D7 VideoJack
FILE NAME :
DESIGNER : J.S.KIM
DATE : 25. DEC. 2004

HX-C6 MAIN (J/C)



SUBJECT
SCHEMATIC DIAGRAM
MODEL
HX-C6
PART
MAIN
CODE NUMBER
AH41-00XXXX
BUYER
J. V. C
DESTINATION
DRAWER
J. S. KIM

MAIN signal
 TUNER signal
 CD signal
 USB signal

AC POWER	
1	GROUND
2	+VH
3	-VH
4	GROUND
5	+VL
6	-VL
7	-VP
8	AC
9	AC
10	MTI
11	MTI

