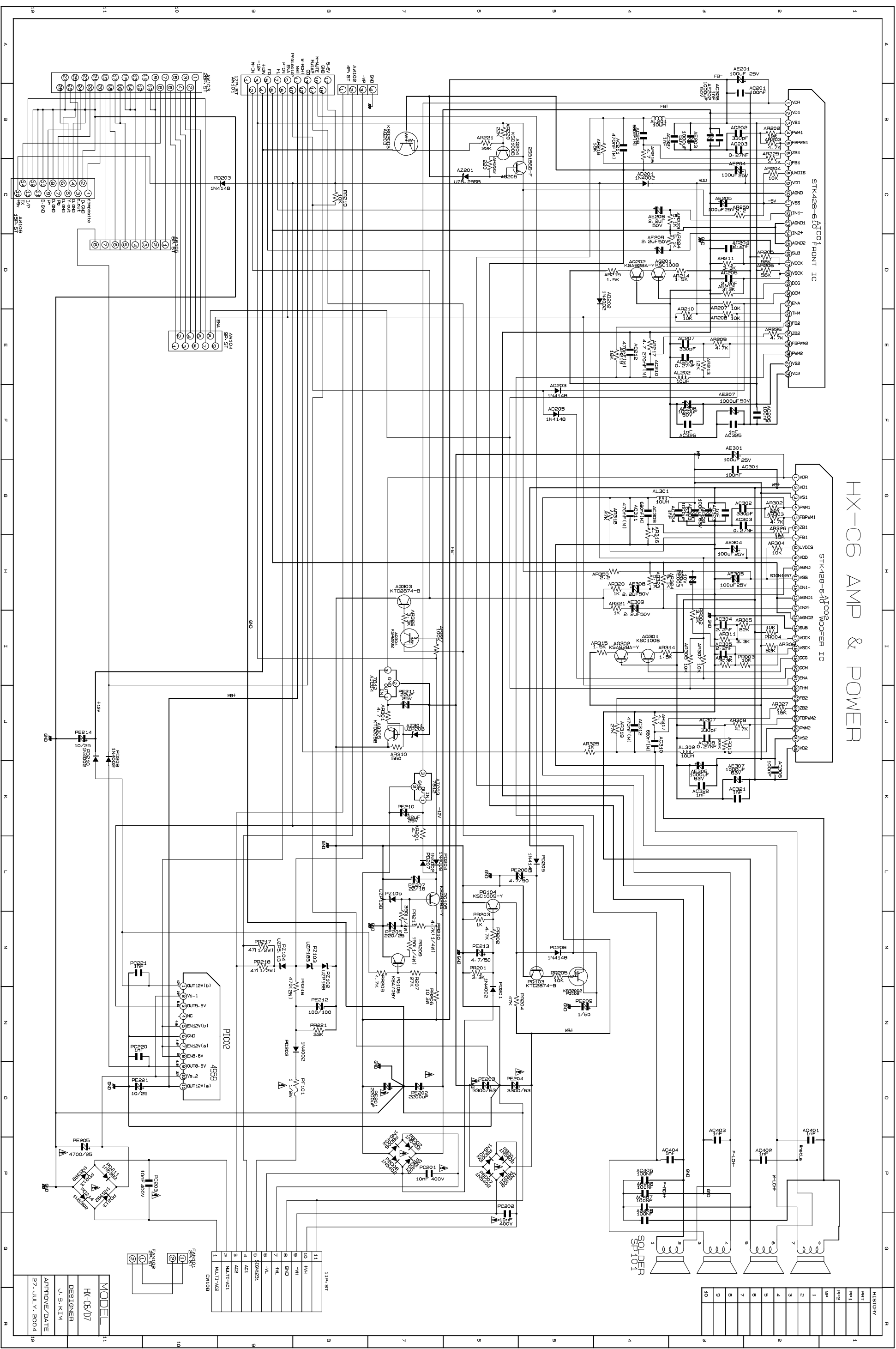
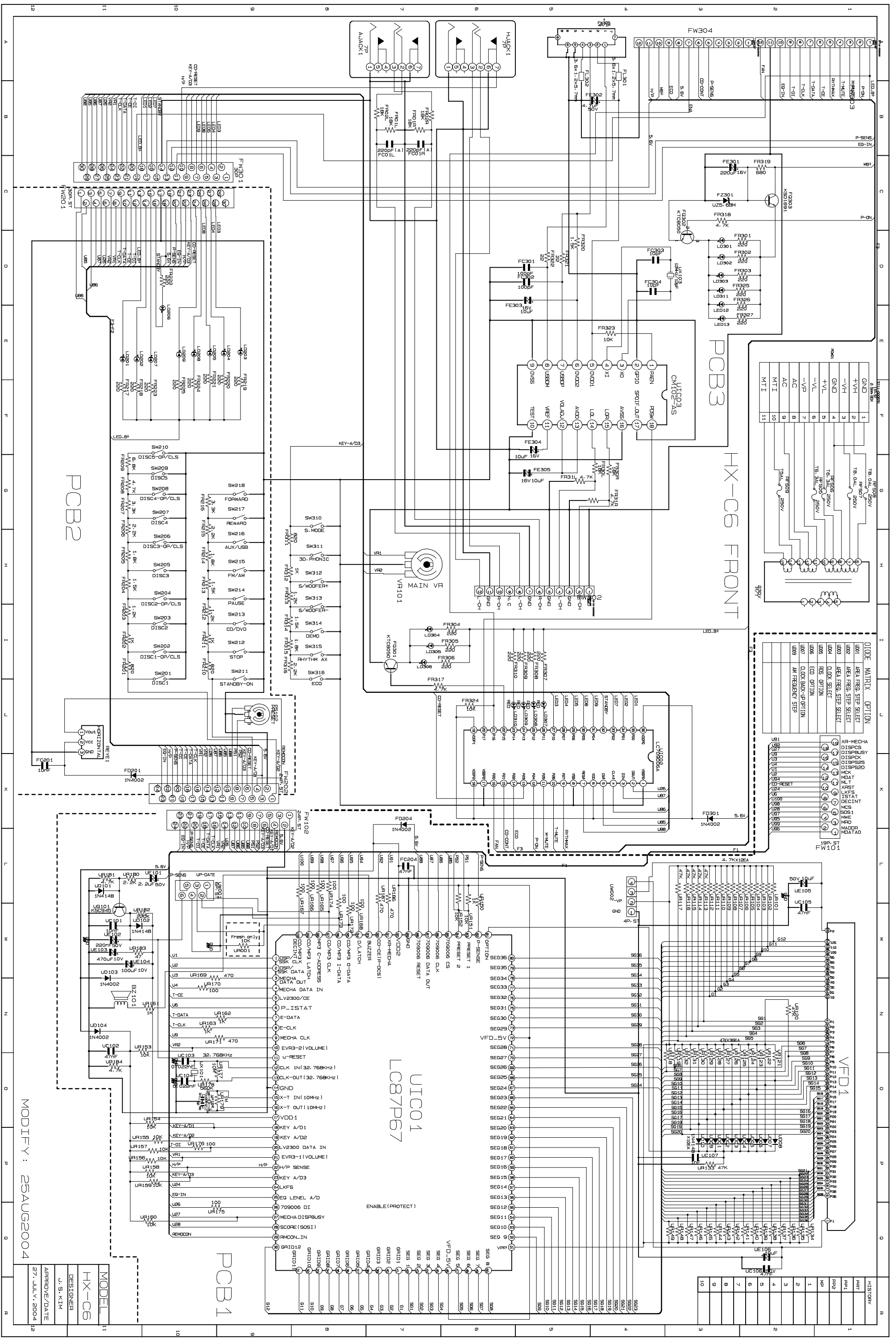


# HX-C6 AMP & POWER



| HISTORY |     |
|---------|-----|
| 1       | REV |
| 2       | REV |
| 3       | REV |
| 4       | REV |
| 5       | REV |
| 6       | REV |
| 7       | REV |
| 8       | REV |
| 9       | REV |
| 10      | REV |

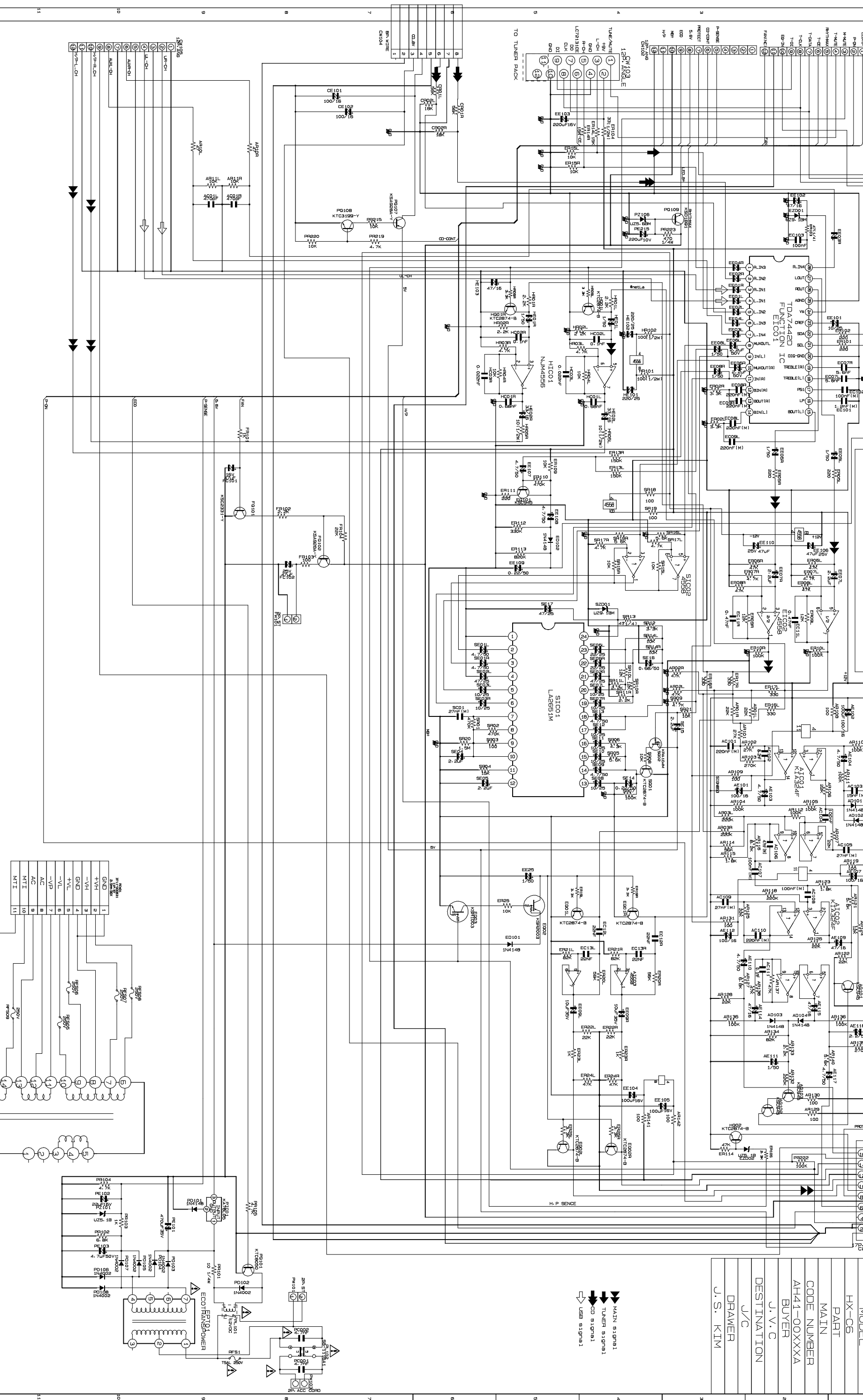
|              |                |
|--------------|----------------|
| MODEL        | HX-C6/07       |
| DESIGNER     | V. S. KIM      |
| APPROVE/DATE | 27. JULY. 2004 |



MODIFY : 25AUG2004

|              |                  |
|--------------|------------------|
| MODEL        | HX-C6            |
| DESIGNER     | J. S. KIM        |
| APPROVE/DATE | 27. JUL. V. 2004 |

# HX-C6 MAIN (J/C)



SUBJECT  
SCHEMATIC DIAGRAM  
MODEL  
HX-C6  
PART  
MAIN  
CODE NUMBER  
AH41-00XXXX  
BUYER  
J. V. C  
DESTINATION  
DRAWER  
J. S. KIM

- ➡ MAIN signal
- ➡ Tuner signal
- ➡ CD signal
- ➡ USB signal

| AC POWER |        |
|----------|--------|
| 1        | GROUND |
| 2        | +VH    |
| 3        | -VH    |
| 4        | GROUND |
| 5        | +VL    |
| 6        | -VL    |
| 7        | -VP    |
| 8        | AC     |
| 9        | AC     |
| 10       | MTI    |
| 11       | MTI    |