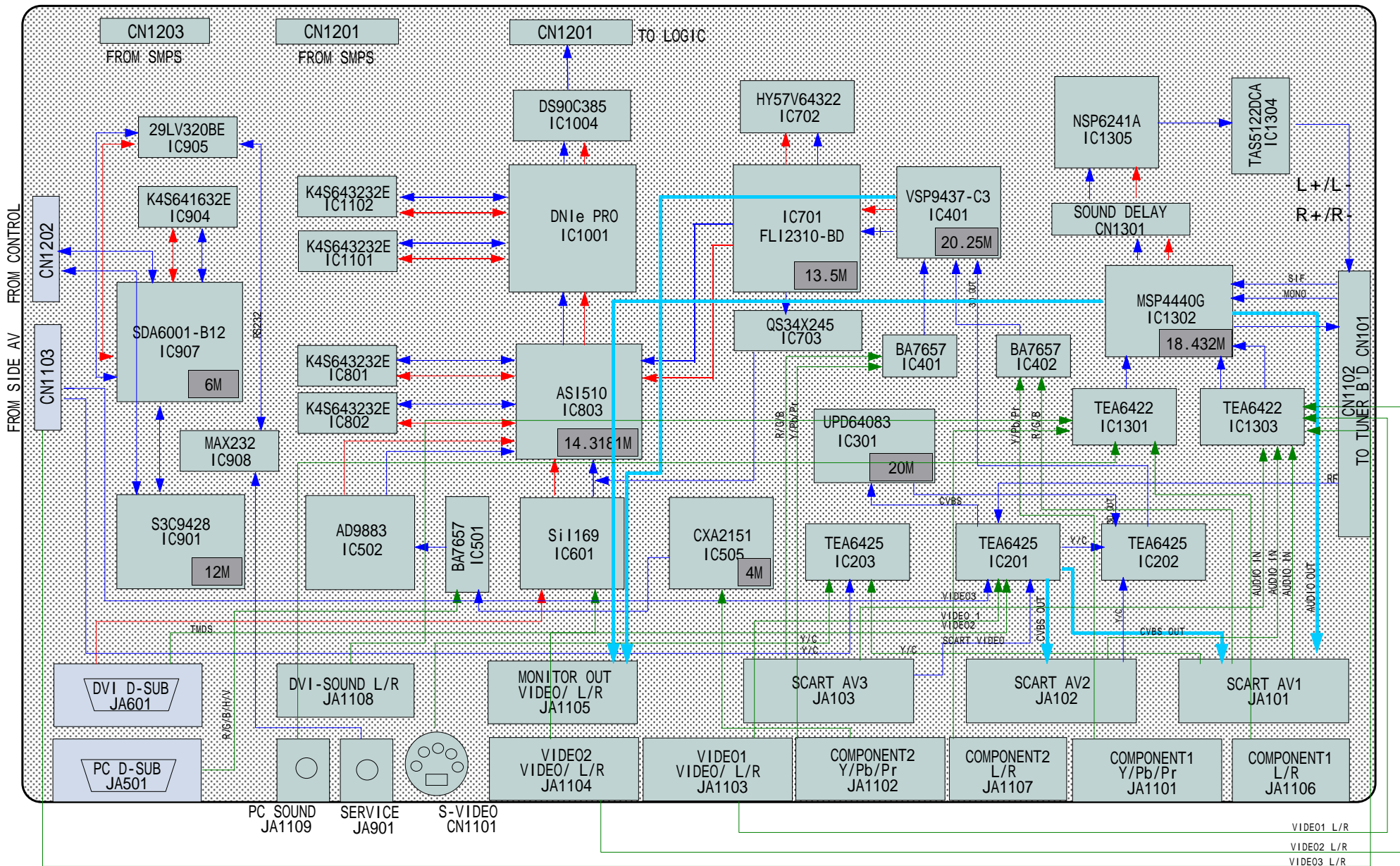
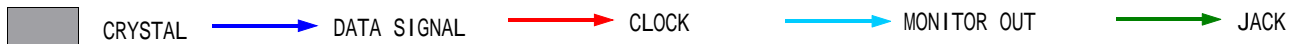


# DIGITAL BOARD IC & SIGNAL BLOCK DIAGRAM



# TUNER BOARD IC & SIGNAL BLOCK DIAGRAM

