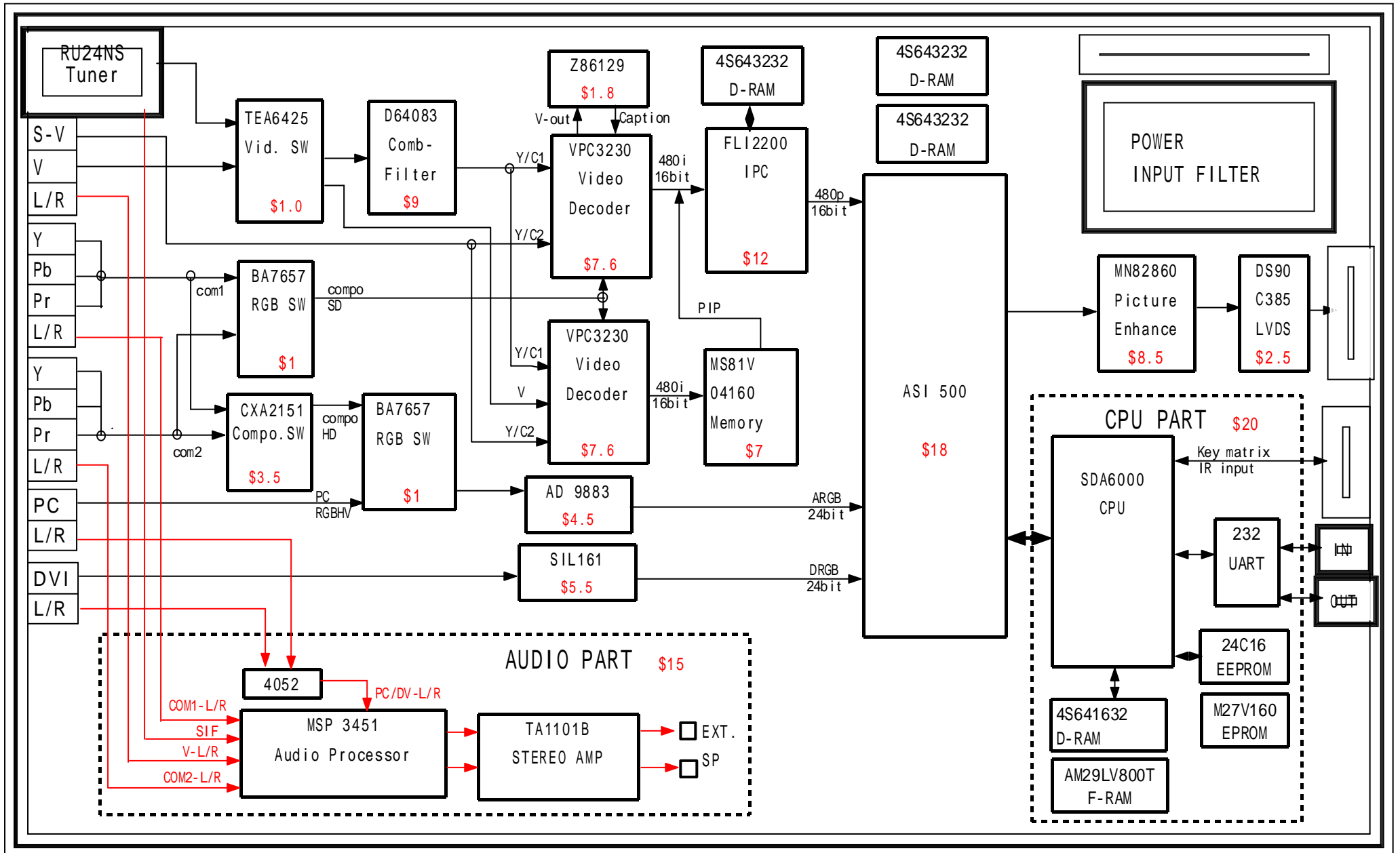


Visual board Block Diagram



2-1. LOGIC BOARD Block Diagram (●→: I/O, —→: Internal Signal, □: LOGIC, ▒: Memory)

