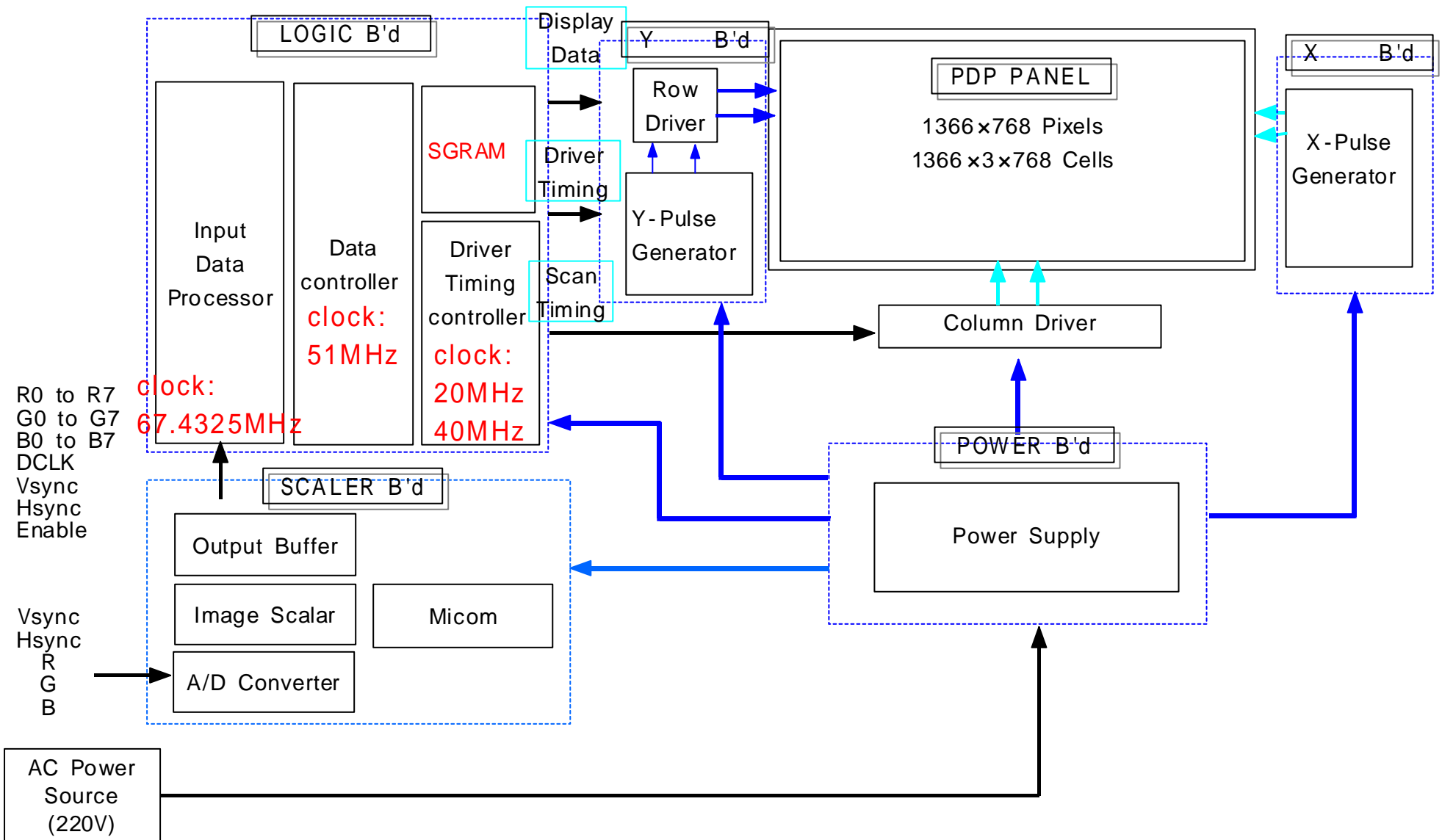
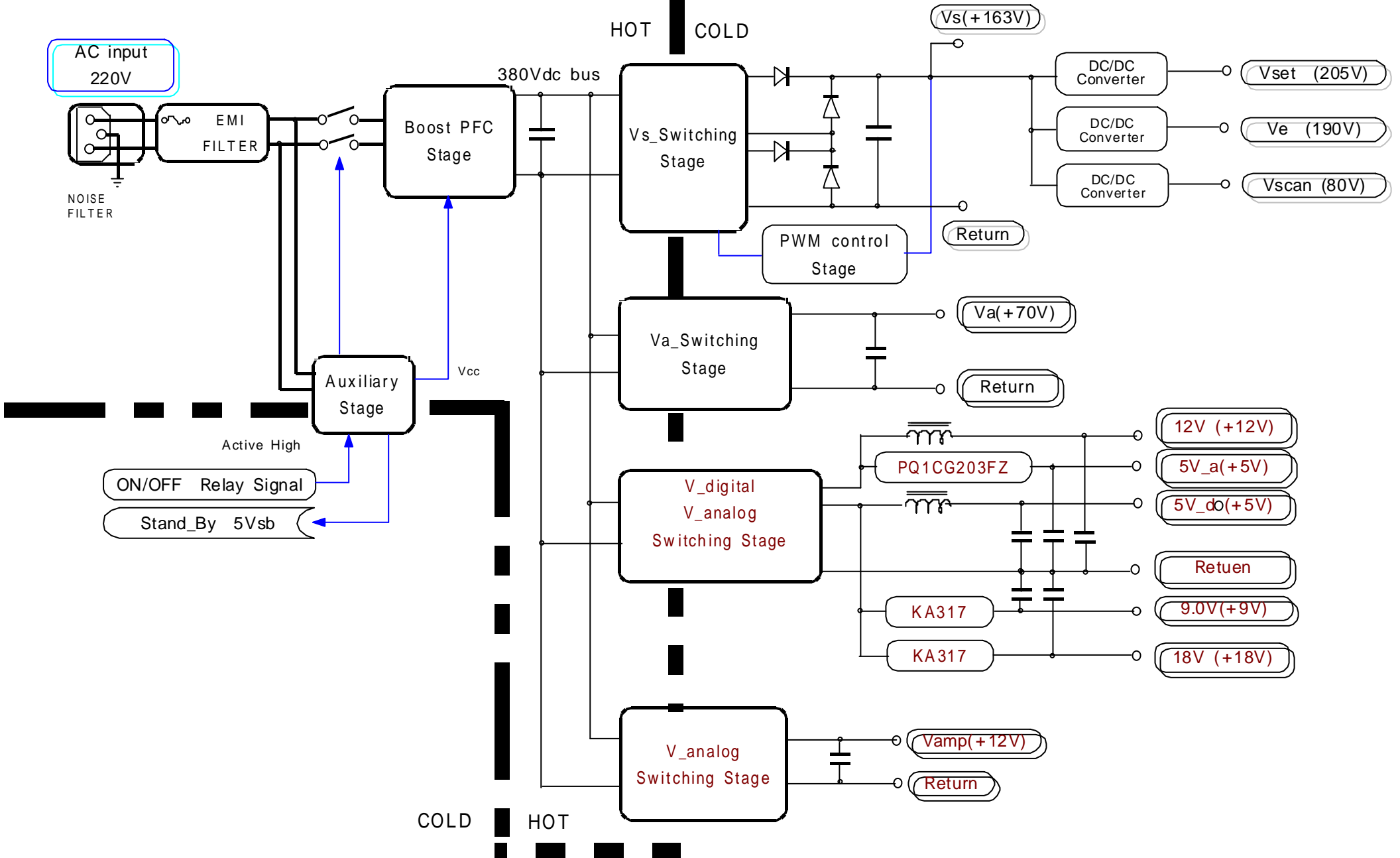


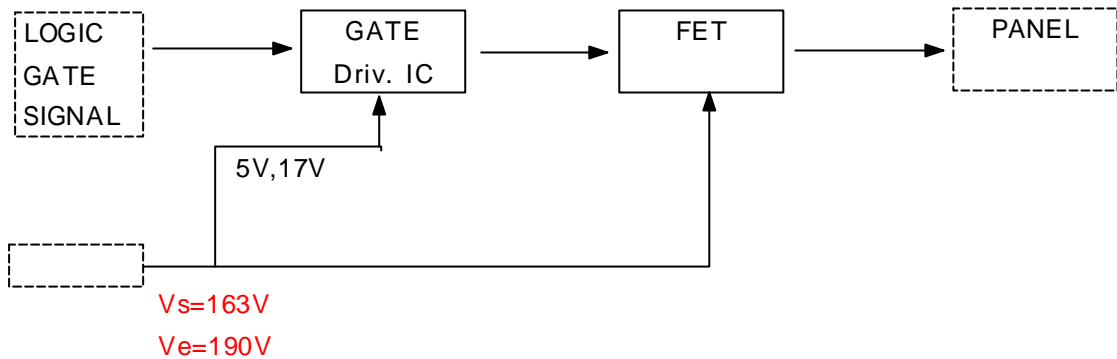
PDP MONITOR(HPM5027) BLOCK DIAGRAM



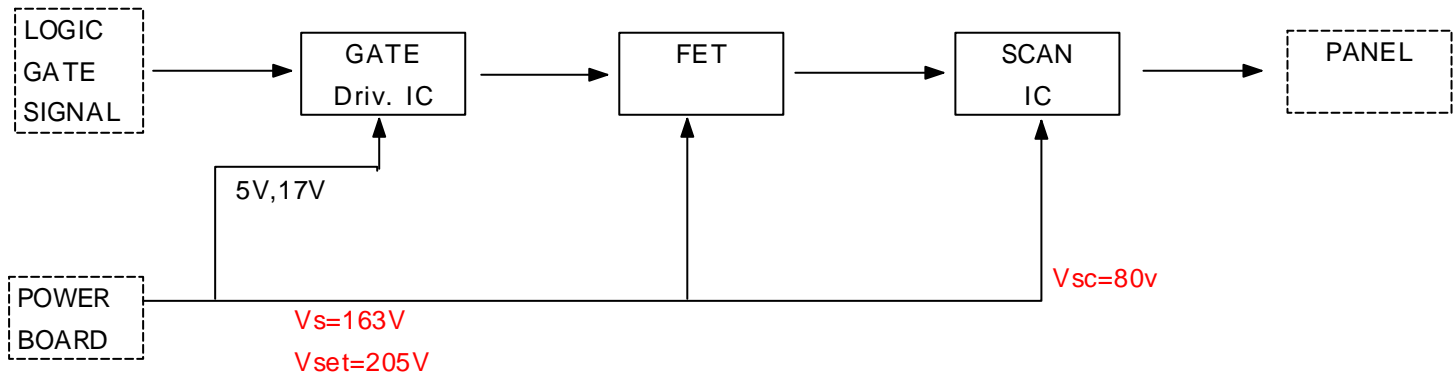
SM50PN POWER BOARD BLOCK DIAGRAM



SM50PN X DRIVER BOARD BLOCK DIAGRAM



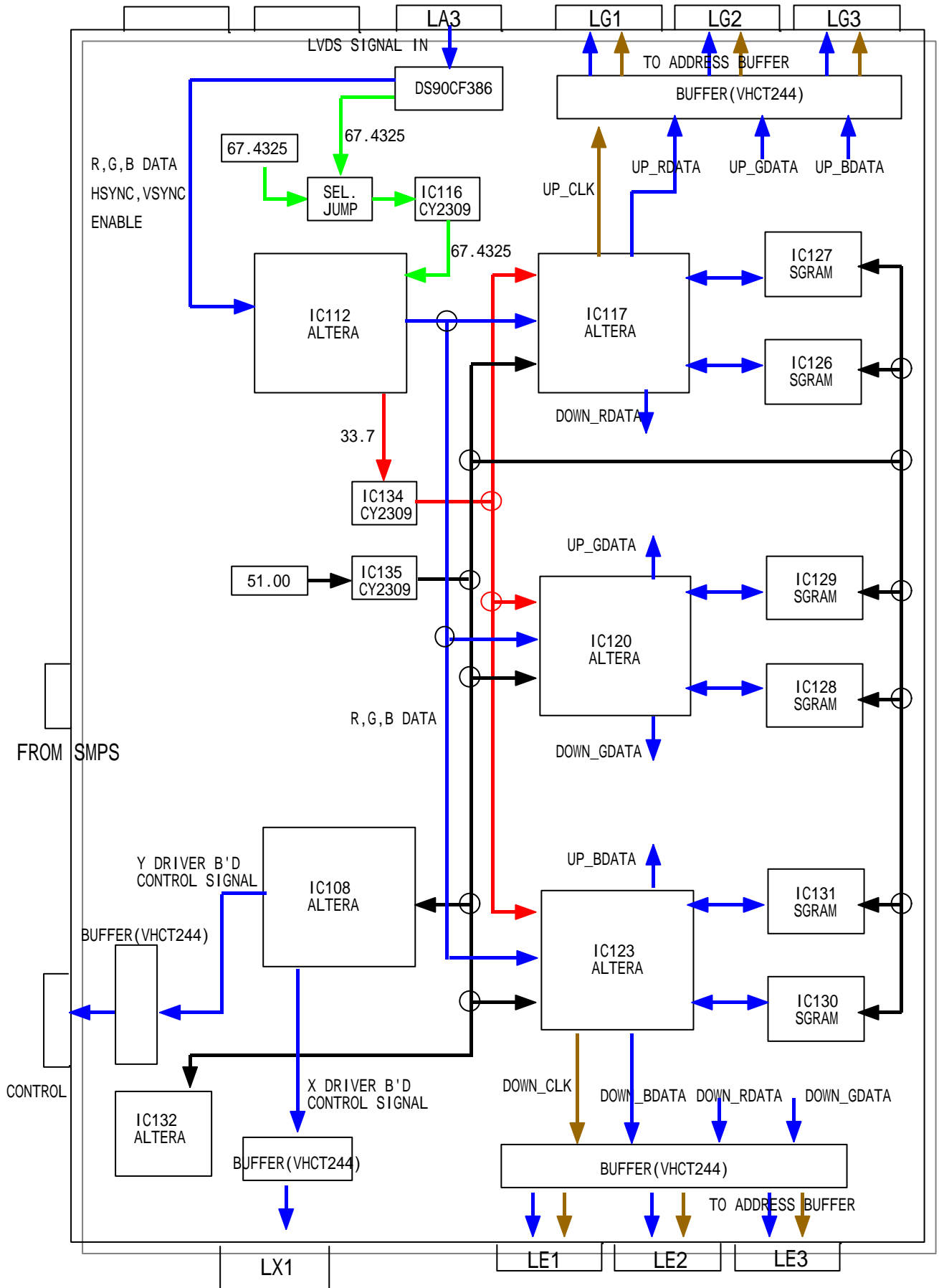
SM50PN Y DRIVER BOARD BLOCK DIAGRAM



Vs, Vset, Vsc, Ve Panel

- CRYSTAL
- DIGITAL SIGNAL
- CLOCK(67.4325 MHz)
- CLOCK(51.0 MHz)
- CLOCK(33.7 MHz)
- CLOCK(17.0 MHz)

SM50PN LOGIC BOARD IC & SIGNAL BLOCK DIAGRAM.



SM50PN SCALER BOARD IC & SIGNAL BLOCK DIAGRAM.

