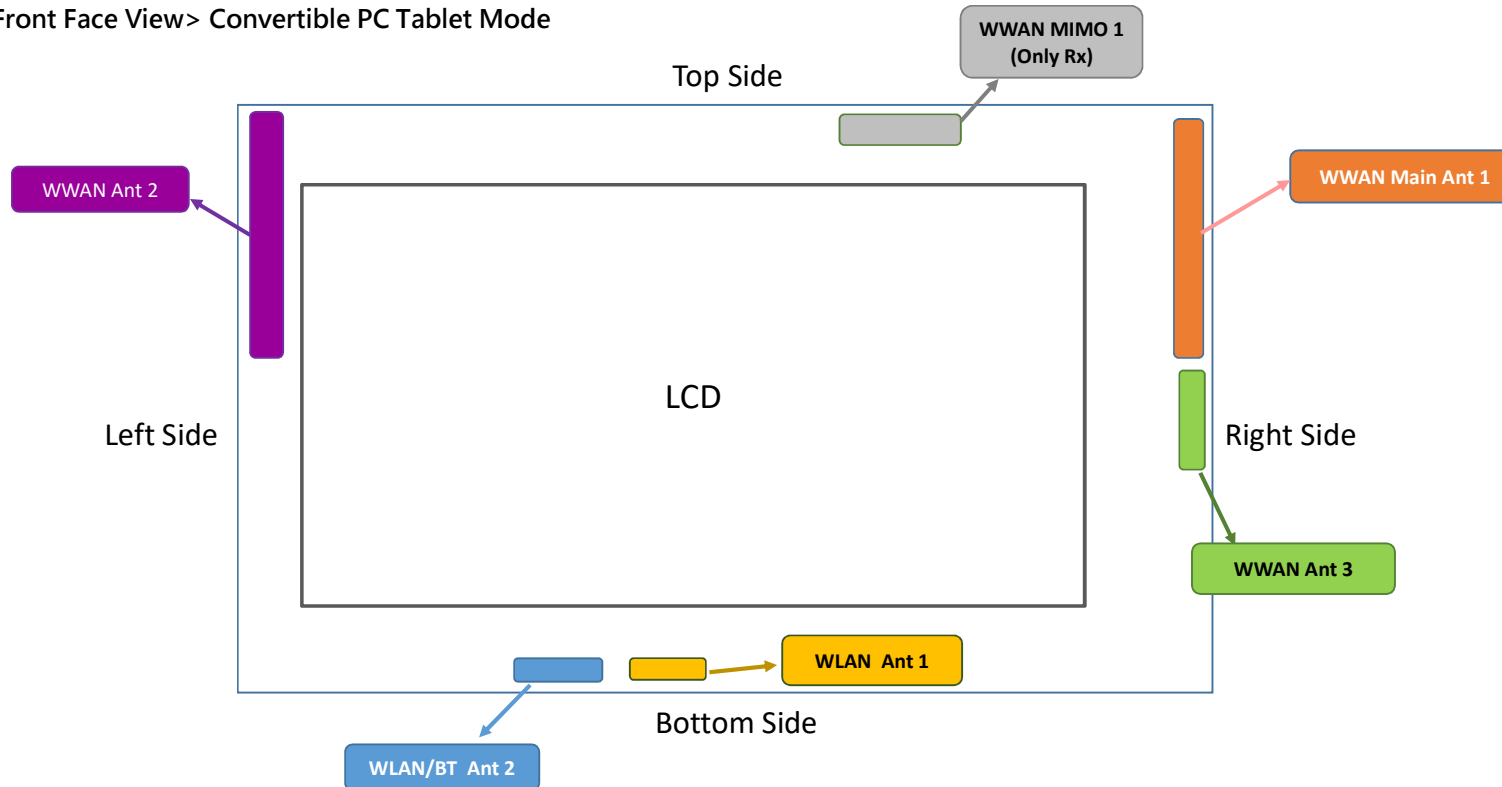


Photographs of EUT Setup and Antenna Location

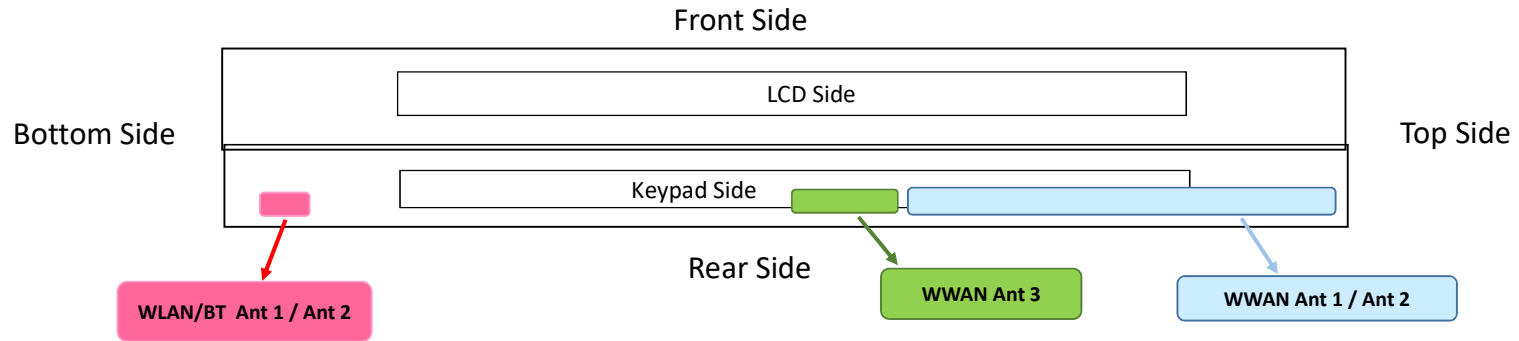
The photographs of EUT and setup for SAR testing are shown as follows.

<Front Face View> Convertible PC Tablet Mode



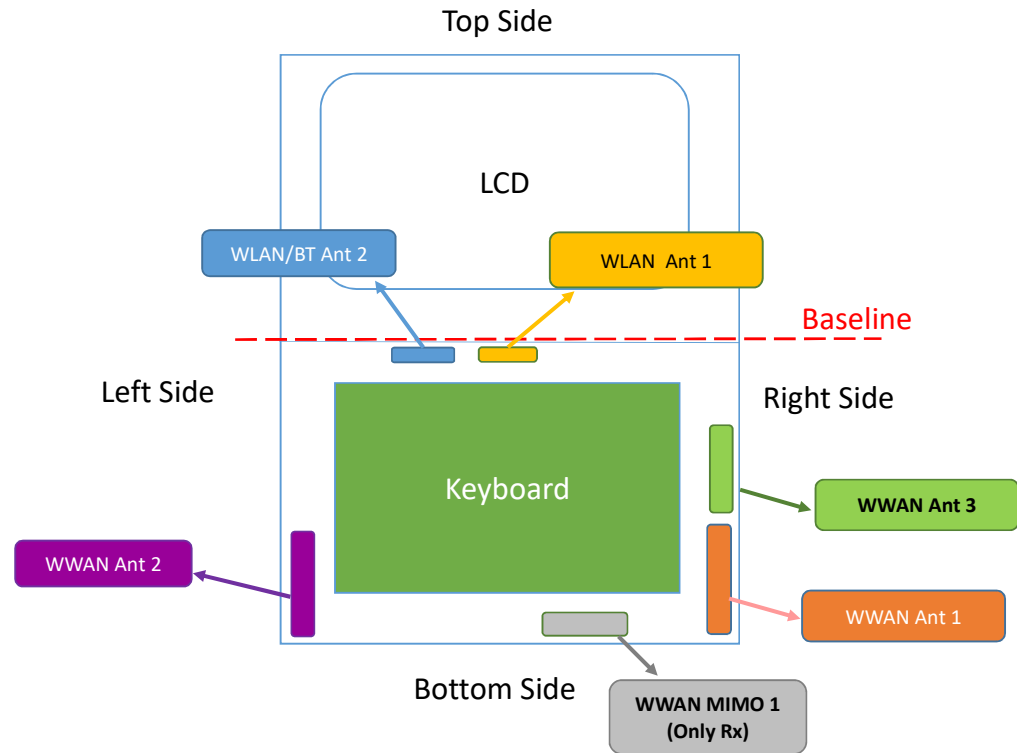
T x Antenna	To Top Side	To Bottom Side	To Left Side	To Right Side	Support Band
	(mm)	(mm)	(mm)	(mm)	
WWAN Ant 1	3.90	109.00	267.70	3.00	WCDMA II / IV LTE 2 / 4 / 7 / 25 / 41 / 66 NR FR1 (NSA) : n2 / 41 / 66
WWAN Ant 2	7.90	109.00	3.00	239.00	WCDMA V LTE 5 / 12 / 13 / 14 / 17 / 71 NR FR1 (NSA) : n5 / 71
WWAN Ant 3	93.00	69.40	3.00	239.00	NR FR1 (NSA) : n77
WLAN Ant 1	191.92	2.25	112.06	165.24	WALN 2.4G / 5G / 6E / BT
WLAN/BT Ant 2	191.92	2.25	78.25	200.25	WALN 2.4G / 5G / 6E

<Right Side View> Convertible PC Tablet Mode



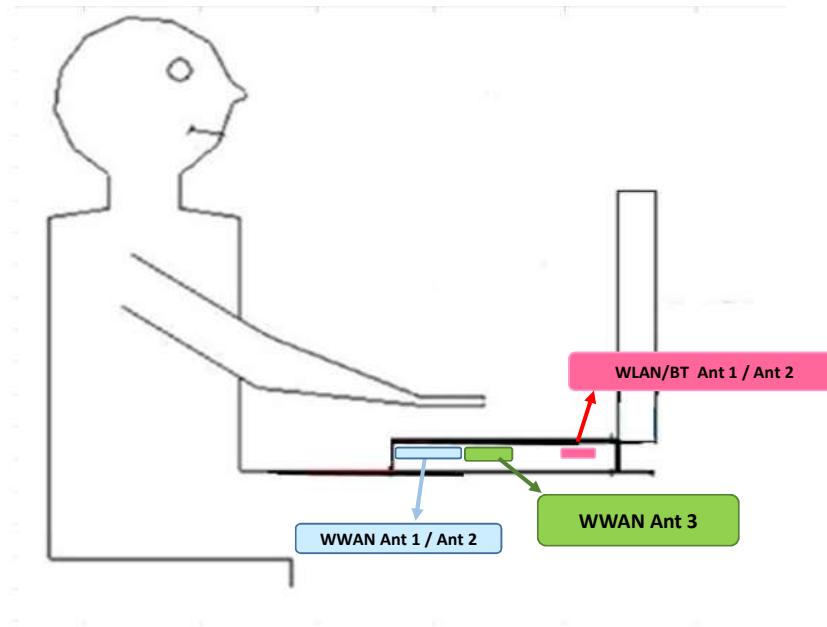
T x Antenna	To Front Side	To Rear Side	Support Band
	(mm)	(mm)	
WWAN Ant 1	10.69	1.70	WCDMA II / IV LTE 2 / 4 / 7 / 25 / 41 / 66 NR FR1 (NSA) : n2 / 41 / 66
WWAN Ant 2	10.69	1.70	WCDMA V LTE 5 / 12 / 13 / 14 / 17 / 71 NR FR1 (NSA) : n5 / 71
WWAN Ant 3	10.69	1.70	NR FR1 (NSA) : n77
WLAN Ant 1	8.92	1.90	WLAN 2.4G / 5G / 6E / BT
WLAN/BT Ant 2	8.92	1.90	WLAN 2.4G / 5G / 6E

<Front Face View>Laptop Mode (180°)



T x Antenna	To Bottom Side	To Baseline	To Left Side	To Right Side	Support Band
	(mm)	(mm)	(mm)	(mm)	
WWAN Ant 1	3.90	109.00	267.70	3.00	WCDMA II / IV LTE 2 / 4 / 7 / 25 / 41 / 66 NR FR1 (NSA) : n2 / 41 / 66
WWAN Ant 2	7.90	109.00	3.00	239.00	WCDMA V LTE 5 / 12 / 13 / 14 / 17 / 71 NR FR1 (NSA) : n5 / 71
WWAN Ant 3	93.00	69.40	3.00	239.00	NR FR1 (NSA) : n77
WLAN Ant 1	191.92	2.25	112.06	165.24	WALN 2.4G / 5G / 6E / BT
WLAN/BT Ant 2	191.92	2.25	78.25	200.25	WALN 2.4G / 5G / 6E

<Right Side View> Laptop Mode(90°)



T x Antenna	To Laptop Bottom	Support Band
	(mm)	
WWAN Ant 1	4.69	WCDMA II / IV LTE 2 / 4 / 7 / 25 / 41 / 66 NR FR1 (NSA) : n2 / 41 / 66
WWAN Ant 2	4.69	WCDMA V LTE 5 / 12 / 13 / 14 / 17 / 71 NR FR1 (NSA) : n5 / 71
WWAN Ant 3	4.69	NR FR1 (NSA) : n77
WLAN Ant 1	4.42	WALN 2.4G / 5G / 6E / BT
WLAN/BT Ant 2	4.42	WALN 2.4G / 5G / 6E

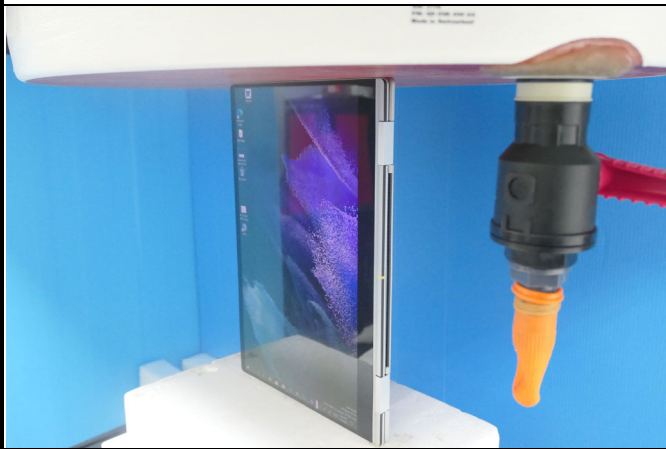
<Photographs of Body SAR Test in Tablet Mode at Setup >



Rear Face of EUT Tested at 0 mm



Left Side of EUT Tested at 0 mm



Right Side of EUT Tested at 0 mm



Top Side of EUT Tested at 0 mm



Bottom Side of EUT Tested at 0 mm

<Photographs of Body SAR Test in Laptop Mode at Setup>

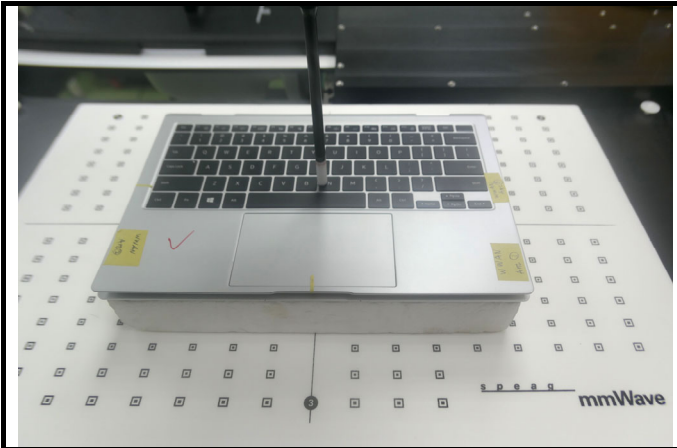


Bottom of EUT Tested at 0 mm



Bottom of EUT Tested at 5 mm

<Photographs of Power Density Test in Tablet Mode at Setup >



Rear Face of EUT Tested at 0 mm

<Photographs of Power Density Test in Laptop Mode at Setup >



Bottom of EUT Tested at 0 mm