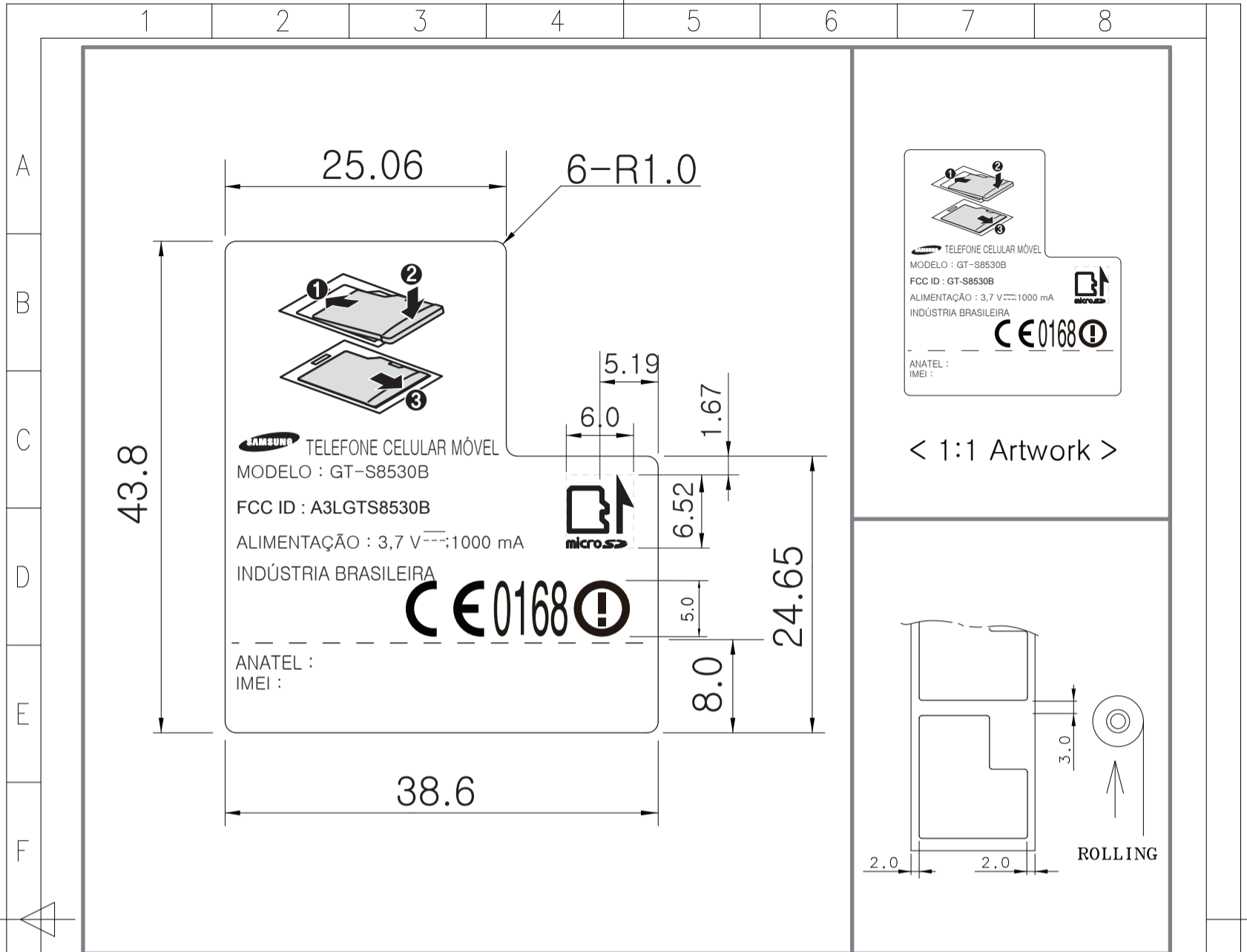


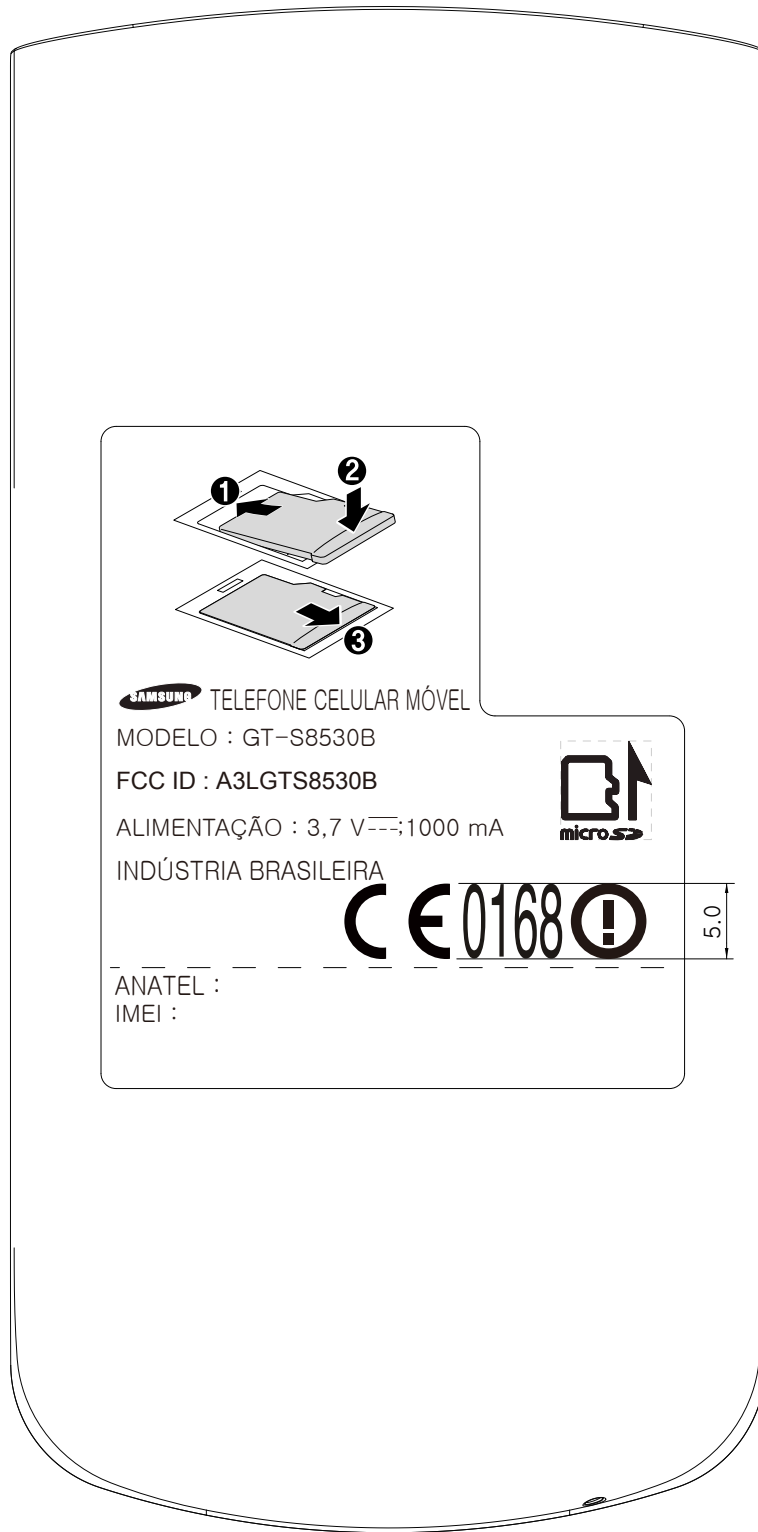
This drawing is property of SEC. Use or copy of this drawing without proper permission from the appropriate technical-document managing department is prohibited.



Technical Description

1. Use 'AI / PDF' provided by 'SAMSUNG' for letter and contents
2. Background color is 'WHITE', letter color is 'BLACK'
(reverse for SAMSUNG LOGO)
3. Back side should be attached to release paper once adhesive is applied.
4. No letter should be blur/smeared
5. The production must be proceed after the approval of SAMSUNG R&D Group
6. The product must be within approved sample's specification tolerance.
7. The product must be finished in a ROLL
8. Release paper must be unifiedn for material and color(blue)
9. Do not contain any substances which are specified in (OQA-2049).

MAT.			FIN.	Semi transparency OPP laminating + UVP Coating		
	TITLE	GT-S8530B(BRAZ)				
UNIT	mm	DESIGNED	CHECKED	APPROVED	PROJECTION	
TOLERANCE	+0.0 -0.1	Park Tae San	Jo Kyeong Hwan	Kim June Sop	SHEET NO	
SCALE	N/S	100916	100916	100916		
Vendor	HANSUNG	100916	100916	100916	1/1	
		Doc. CODE				



The label is placed inside the battery compartment

The FCC ID Label shown will be readily visible at the time of purchase.