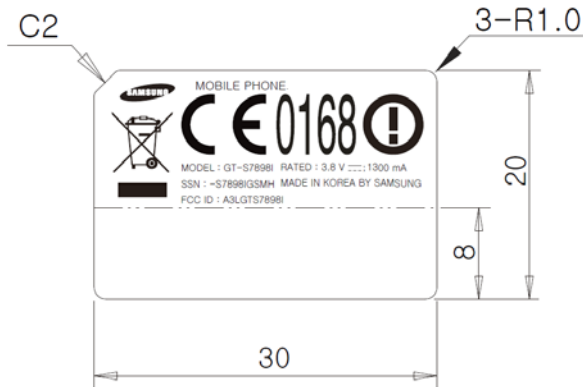


**Label and Location**

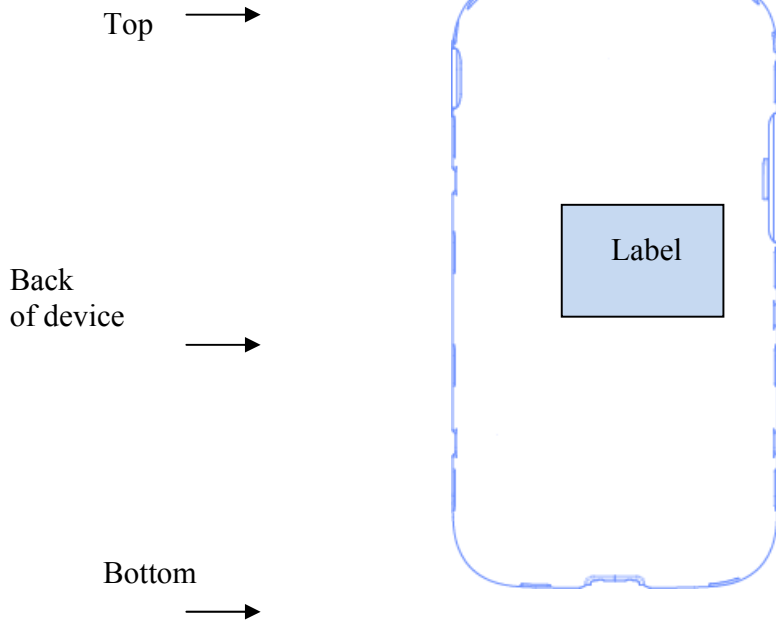
Samsung Phone Model: GT-S7898I

FCC ID: A3LGTS7898I

**Label:**



**Location:**



Label is placed inside of the battery compartment.