

Product Equality Declaration

We, Samsung Electronics Co., Ltd., declare on our sole responsibility that the product

Basic		Additional	
Model	GT-I9060I/DS	Model	GT-I9060I
FCC ID	A3LGTI9060I	FCC ID	A3LGTI9060I
HW version :	REV1.0	HW version :	REV1.0
SW version :	I9060I.001	SW version :	I9060I.001

The only difference between the GT-I9060I/DS and the GT-I9060I is:

1. H/W

- 2nd SIM socket have removed
- Full down register R347 removed
- Full up resistor R348 Added

2. S/W

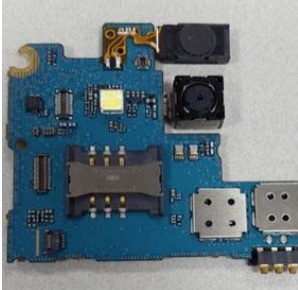
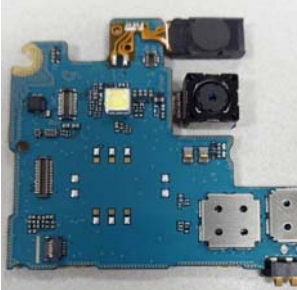
- SAME

3. Justification for Test Set


- Both models have been investigated and the worst case have been Reported.

We confirm that "GT-I9060I/DS" model is the worst case set for test.

The Photo of difference part

Basic	Changed
<p>Rear of PCB</p> 	<p>Rear of PCB</p> 

Point of contact

Signature _____ 
 Name : Lee jung keun
 Title : Samsung electronics
 Team : Advanced HW 1 Team