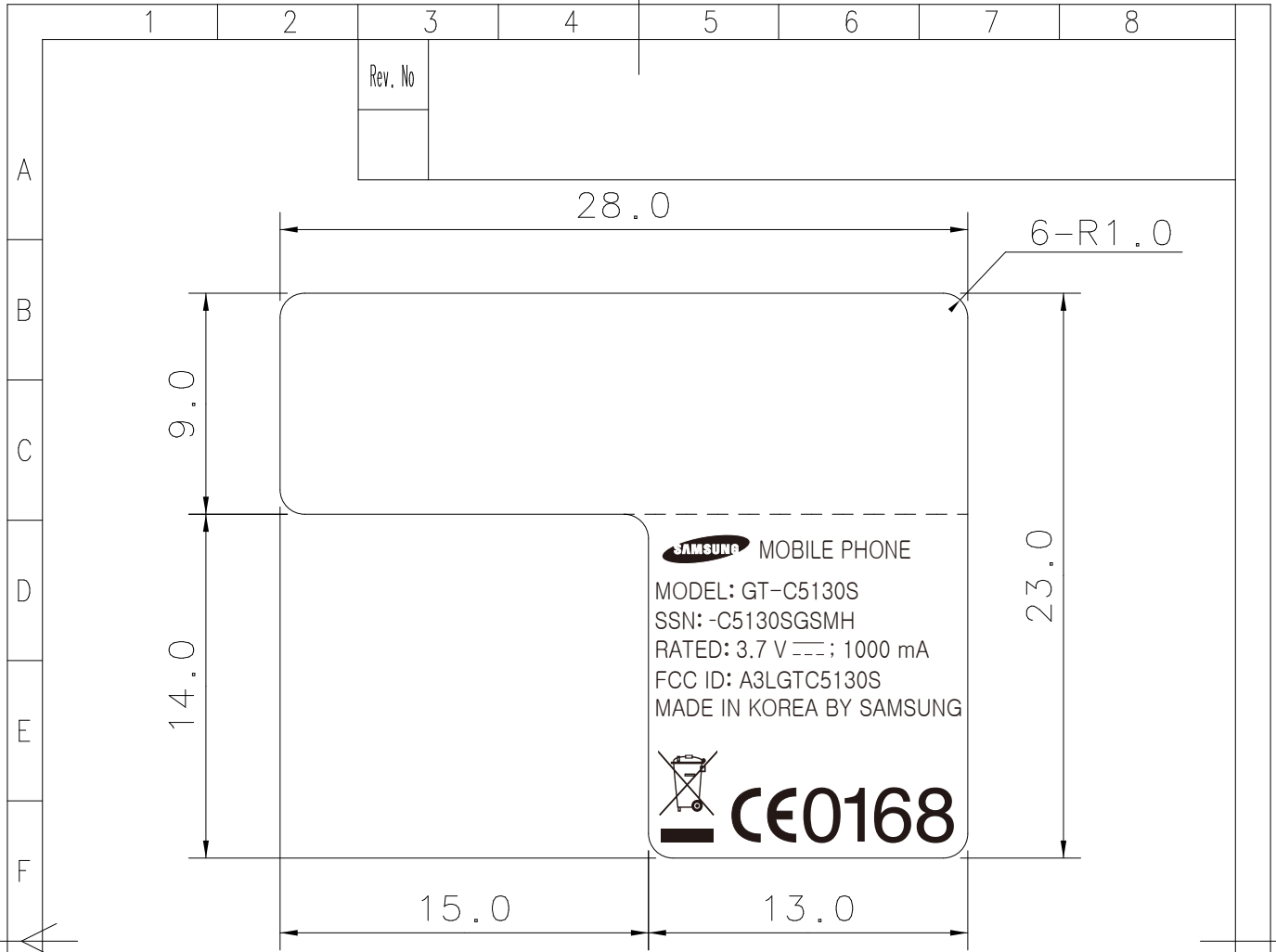
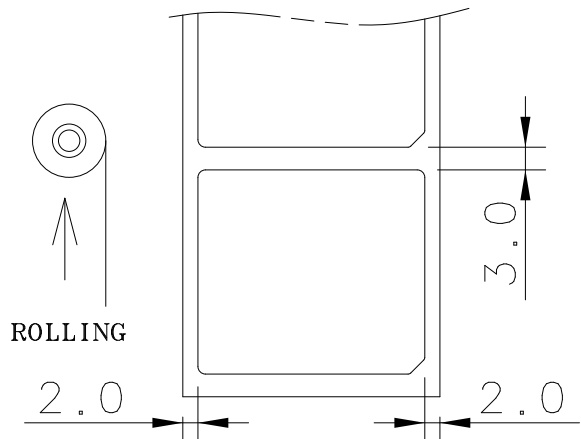



This drawing is property of SEC. Use or copy of this drawing without proper permission from the appropriate technical-document managing department is prohibited.

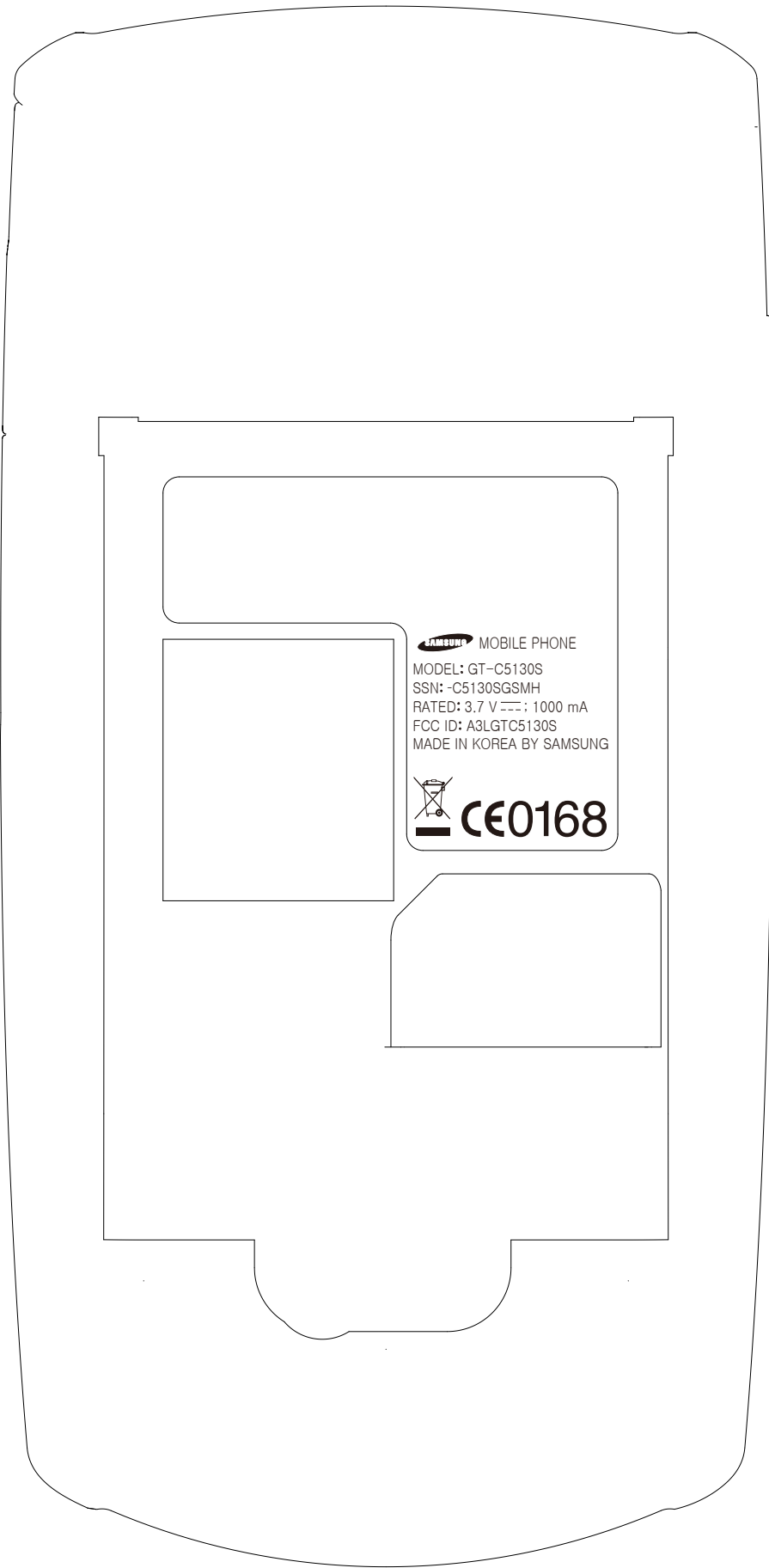


Technical Description

1. Use FILM provided by SAMSUNG for letter and contents
2. Background color is WHITE , letter color is BLACK (reverse for SAMSUNG LOGO)
3. Put 박리지 on the back side after the adhesive.
4. No blur and spread for letter
5. Proceed with manufacturing process after the approval of R&D Group
6. The spec. of product must be based on approved limit samples.
7. Stock on as a ROLL
8. Unify material and color as one color (blue) for glassine paper



MAT.	WHITE POLYESTER 50 μ	FIN.	반투명OPP라미네팅+UVP코팅		
TITLE	GT-C5130S		LABEL(R)-MAIN		
UNIT	mm	DESIGNED	CHECKED	APPROVED	PROJECTION
TOLERANCE	+0.0 -0.1	운준상	조경환	김태운	
SCALE	N/S				SHEET NO
제작	한성씨링	090806	090806	090806	1/1
		Doc. CODE	GH68-00000A		



Note: The FCC ID label shown will be readily visible at the time of purchase.

The label is placed inside the battery compartment