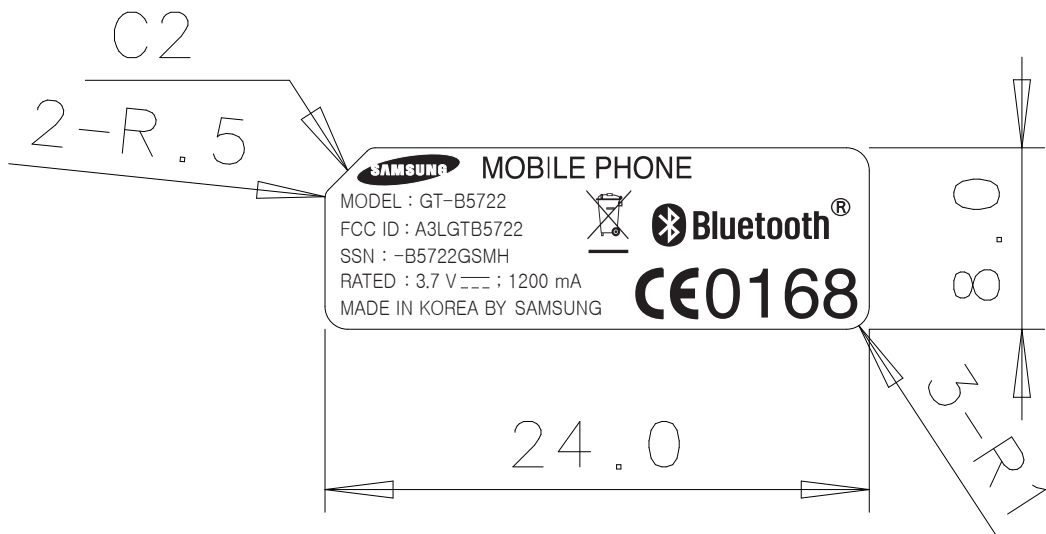


This drawing is property of SEC. Use or copy of this drawing without proper permission from the appropriate technical-document managing department is prohibited.

| | | | | | | | | |
|---|---|---|---------|--|---|---|---|---|
| | 1 | 2 | 3 | 4 | 5 | 6 | 7 | 8 |
| A | | | Rev. No | * 공간 부족으로 인한 비표준 진행(090618) * CARD 및 배터리 단자로 인해 라벨 형상 및 사이즈 변경(090717) * 라벨 형상 및 사이즈 변경 (090721) | | | | |
| B | | | | | | | | |
| C | | | | | | | | |
| D | | | | | | | | |
| E | | | | | | | | |
| F | | | | | | | | |
| G | | | | | | | | |
| H | | | | | | | | |
| I | | | | | | | | |
| J | | | | | | | | |
| K | | | | | | | | |
| L | | | | | | | | |

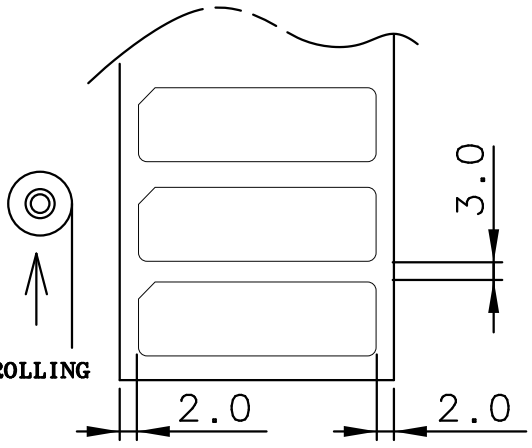


1:1 ARTWORK



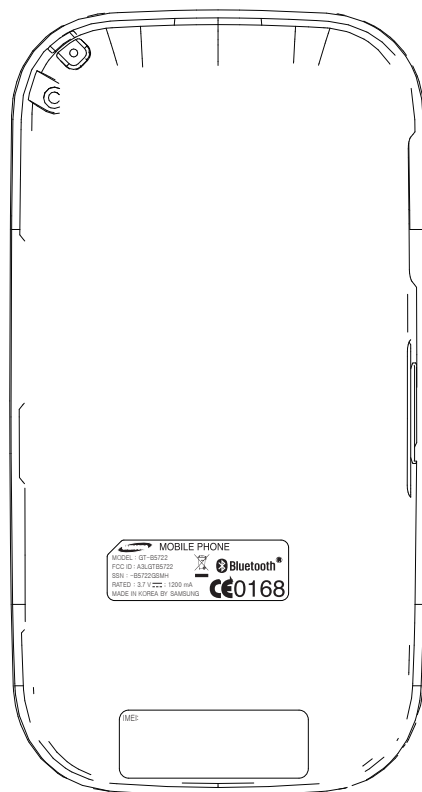
Technical Description

1. Use FILM provided by SAMSUNG for letter and contents
2. Background color is **White**, letter color is **BLACK** (reverse for SAMSUNG LOGO)
3. Put Back paper on the back side after the adhesive.
4. No blur and spread for letter
5. Proceed with manufacturing process after the approval of R&D Group
6. The spec. of product must be based on approved limit samples.
7. Stock on as a ROLL
8. Follow drawing instruction above for CE or WEEE mark
9. Unify material and color as one color (blue) for glassine paper



| | | | | | | | |
|-------------------------------|------------------------------|-------------|---------|--|------------|-----|-----------------------|
| MAT. | White Polypropylene 80 μ | | FIN. | translucent opp laminating+uvp coating | | | |
| TITLE | GT-B5722 (EU_수정2) | | | | | | LABEL (R)-MAIN |
| UNIT | mm | DESIGNED | CHECKED | APPROVED | PROJECTION | | |
| TOLERANCE | +0.0 -0.1 | KIM TAE HIN | X | KIM JUNE SOP | | | |
| SCALE | N/S | | | | | | |
| Manufacture | HSINS | 090717 | | 090717 | SHEET NO | 1/1 | |
| SAMSUNG ELECTRONICS | | Doc. CODE | | | | | |





The label is placed inside the battery compartment

The FCC ID Label shown will be readily visible at the time of purchase.