

QUICK START GUIDE

EP-P2400

WIRELESS CHARGER

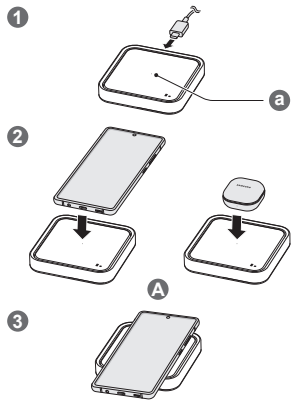
EP-P5400

WIRELESS CHARGER DUO

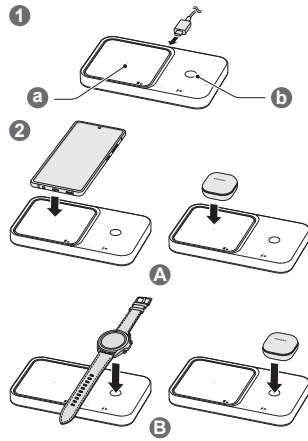


Printed in Korea
XXXXXX Rev.1.1
EU/ASIA Type 11/2021

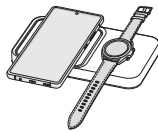
► EP-P2400:



► EP-P5400:



3



Copyright © 2021 Samsung Electronics Co., Ltd.

English

- Connect the charger to the wireless charger (1) and place the centre of the mobile device or Galaxy Buds on the charging coil centre (2) to charge it (A).
- You can also charge the Galaxy Watch or Buds on the watch or buds charging coil (3) of the wireless charger (B).
- Do not place foreign materials, such as metal objects, magnets, and magnetic stripe cards, between the mobile device, Galaxy Buds or the Watch, and the wireless charger.
- Visit www.samsung.com to view the user manual and the safety information.
- Your consumer rights are governed by the law of the country in which you purchased the product. Please contact your service provider for more information.

Correct disposal



This marking on the product, accessories or literature indicates that the product and its electronic accessories (e.g. charger, headset, USB cable) should not be disposed of with other household waste.
AEEE Yönetmeliğine Uygundur.
Ce produit est en conformité avec la directive RoHS.
Samsung, PO Box 12987, Dublin, IE or Yateley, GU46 6GG, UK

For information on Samsung's environmental commitments and product regulatory obligations, e.g. REACH, visit our sustainability page available via www.samsung.com.

Declaration of Conformity

Samsung declares that this device is in compliance with Directive 2014/53/EU and with the relevant UK statutory requirements.
Go to www.samsung.com/mobile_doc to view the Declaration of Conformity.

Band and mode

► EP-P2400:

Band and mode	Output power
Wireless Charging 126.2 kHz ~ 129.2 kHz, 119 kHz ~ 122 kHz	74.7 dBµW/m

► EP-P5400:

Band and mode	Output power
Wireless Charging Antenna 1: 119 kHz ~ 122 kHz, 126.2 kHz ~ 129.2 kHz Antenna 2: 126.2 kHz ~ 129.2 kHz, 144.5 kHz ~ 147.5 kHz	76.7 dBµW/m

FCC Information

This device complies with part 15 of the FCC Rules. Operation is subject to the following two conditions:

- (1) This Device may not cause harmful interference, and
- (2) This Device must accept any interference received, including interference that may cause undesired operation.

Note: This equipment has been tested and found to comply with the limits for CLASS B digital device, pursuant to Part 15 of FCC Rules. These limits are designed to provide reasonable protection against harmful interference when the equipment is operated in a commercial environment. This equipment generates, uses and can radiate radio frequency energy and, if not installed and used in accordance with the instructions, may cause harmful interference to radio communications. However, there is no guarantee that interference will not occur in a particular installation. If this equipment does cause harmful interference to radio or television reception, which can be determined by turning the equipment off and on, the user is encouraged to try correct the interference by one or more of the following measures:

- 1.1. Reorient or relocate the receiving antenna.
- 1.2. Increase the separation between the equipment and receiver.
- 1.3. Connect the equipment into an outlet on a circuit different from that to which receiver is connected.
- 1.4. Consult the dealer or experienced radio/TV technician for help.

WARNING

Changes or modifications not expressly approved by the manufacturer could void the user's authority to operate the equipment.

IMPORTANT NOTE:

FCC RF Radiation Exposure Statement:

This equipment complies with FCC RF radiation exposure limits set forth for an uncontrolled environment. This equipment should be installed and operated with a minimum distance of 20 centimeters between the radiator and your body. This transmitter must not be co-located or operating in conjunction with any other antenna or transmitter.

French Example Canadian Compliance Statements

"Operation is subject to the following two conditions: (1) this device may not cause interference, and (2) this device must accept any interference, including interference that may cause undesired operation of the device."

Le présent appareil est conforme aux CNR d'Industrie Canada applicables aux appareils radio exempts de licence. L'exploitation est autorisée aux deux conditions suivantes : (1) l'appareil ne doit pas produire de brouillage, et (2) l'utilisateur de l'appareil doit accepter tout brouillage radioélectrique subi, même si le brouillage est susceptible d'en compromettre le fonctionnement.

"This device and its antenna(s) must not be co-located or operating in conjunction with any other antenna or transmitter."

Cet appareil et son antenne (s) ne doit pas être co-localisé ou fonctionnant en conjonction avec une autre antenne ou transmetteur.

"This equipment should be installed and operated with a minimum distance of 20cm between the radiator and your body"

Cet équipement doit être installé et utilisé à une distance minimale de 20cm entre le radiateur et votre corps.

"It is the responsibility of the installer to ensure that when using the outdoor antenna kits, only those antennas certified with the product are used. The use of any antenna other than those certified with the product is expressly forbidden by FCC rules 47 CFR part 15.204 and IC RSS standards."

Il est de la responsabilité de l'installateur de s'assurer que lorsque vous utilisez les kits d'antennes extérieures, seules les antennes certifiées avec le produit sont utilisées. L'utilisation d'une antenne autre que ceux qui sont certifiés avec le produit est expressément interdite par la réglementation FCC partie 47 CFR 15.204 et IC normes RSS.