



## WPT Tx Antenna Data Sheet



### FEATURES

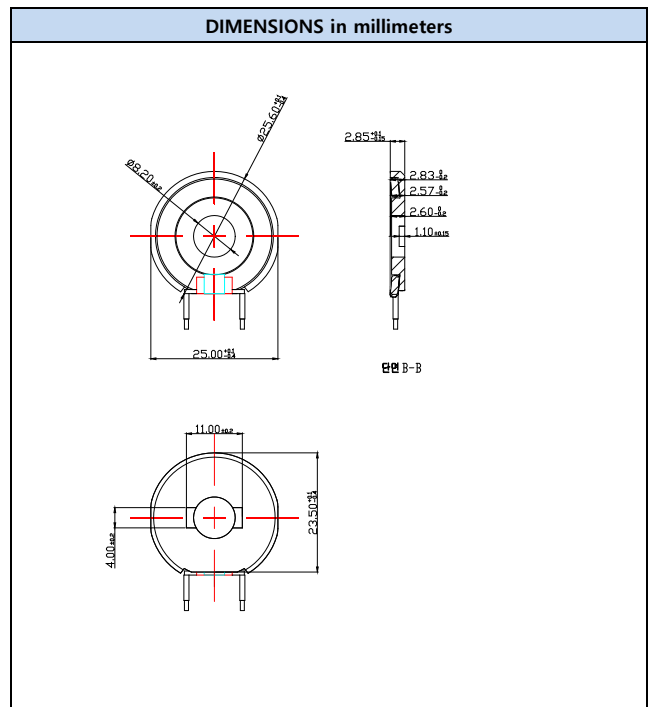
- Transmit coil for WPC
- For Rx applications up to Watch for WPC
- High permeability shielding for WPC

| Only Coil ELECTRICAL SPECIFICATIONS                       |                          |             |
|---|--------------------------|-------------|
| L <sub>0</sub> INDUCTANCE at 100KHz<br>1V, 0A<br>(uH ±2%) | ACR at 20°C<br>(mΩ ±10%) | Q at 100KHz |
| 5.3   | 80                       | 41          |

| COIL DESCRIPTION |       |                  |
|------------------|-------|------------------|
| TURNS            | Size  | THICKNESS (±10%) |
| 14               | Ø22.6 | 1.7              |

| Core DESCRIPTION |                     |                  |
|------------------|---------------------|------------------|
| Type             | Dimensions (±0.2mm) | THICKNESS (±10%) |
| Ferrite          | 25.6 x 23.5mm       | 2.85mm           |

| Rx Antenna (Coil+Core) ELECTRICAL SPECIFICATIONS          |                          |             |
|---|--------------------------|-------------|
| L <sub>s</sub> INDUCTANCE at 100KHz<br>1V, 0A<br>(uH ±4%) | ACR at 20°C<br>(mΩ ±18%) | Q at 100KHz |
| 11.00   | 80                       | 86          |



| DESCRIPTION      |                      |
|------------------|----------------------|
| AWPTA-252328-M00 | ±4%                  |
| MODEL            | INDUCTANCE TOLERANCE |

| PART NUMBER   |   |      |   |      |   |   |   |   |   |   |   |   |   |   |   |   |   |   |
|---|---|------|---|------|---|---|---|---|---|---|---|---|---|---|---|---|---|---|
| <table border="1" style="display: inline-table; border-collapse: collapse;"> <tr><td>A</td><td>W</td><td>P</td><td>T</td><td>A</td></tr> </table> | A | W    | P | T    | A | - | <table border="1" style="display: inline-table; border-collapse: collapse;"> <tr><td>2</td><td>5</td><td>2</td><td>3</td><td>2</td><td>8</td></tr> </table> | 2 | 5 | 2 | 3 | 2 | 8 | - | <table border="1" style="display: inline-table; border-collapse: collapse;"> <tr><td>M</td><td>0</td><td>0</td></tr> </table> | M | 0 | 0 |
| A   | W | P    | T | A    |   |   |   |   |   |   |   |   |   |   |   |   |   |   |
| 2   | 5 | 2    | 3 | 2    | 8 |   |   |   |   |   |   |   |   |   |   |   |   |   |
| M   | 0 | 0    |   |      |   |   |   |   |   |   |   |   |   |   |   |   |   |   |
| MODEL   |   | SIZE |   | TYPE |   |   |   |   |   |   |   |   |   |   |   |   |   |   |

| NOTES  |
|--|
| The contents of this data sheet are subject to change without notice. Please confirm the specifications and delivery conditions when placing your order. |