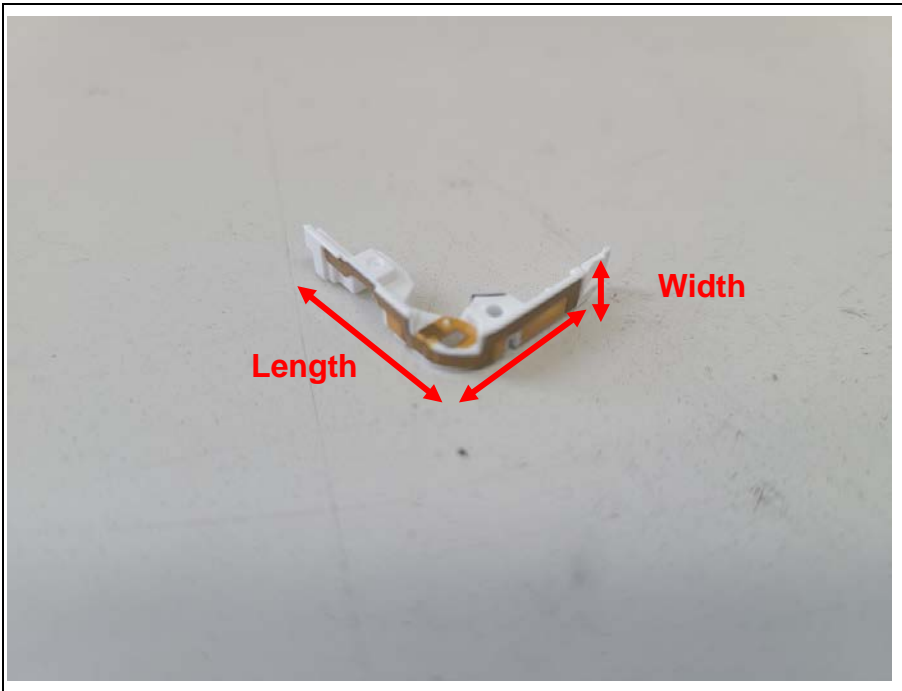


Antenna Information

Item	Contents	
Mode	Bluetooth Low Energy	UWB
Antenna Type	FPCB antenna	
Antenna peak gain	0.77 dB i	0.12 dB i
Manufacturer / Model name	Amotech / AMO-FA-SS001	Amotech / AMO-FA-SS002
Address of manufacturer	380, Namdongseo-ro, Namdong-gu, Incheon, Republic of Korea	
Test Laboratory	Amotech	
Antenna Length	30 mm	7 mm
Antenna Width	5 mm	5 mm

Antenna of Bluetooth Low Energy



Model name: EI-T5600

Antenna of UWB

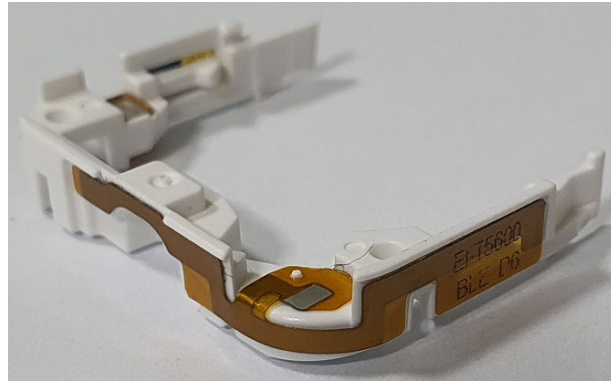


Model name: EI-T5600

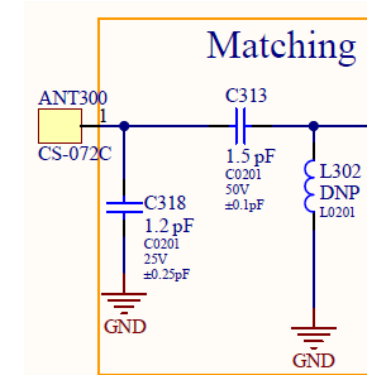
- Antenna manufacturer : Amotech
- Antenna Model : AMO-FA-SS001
- Antenna measuring instrument : Amotech

BLE Antenna

1-1. Picture

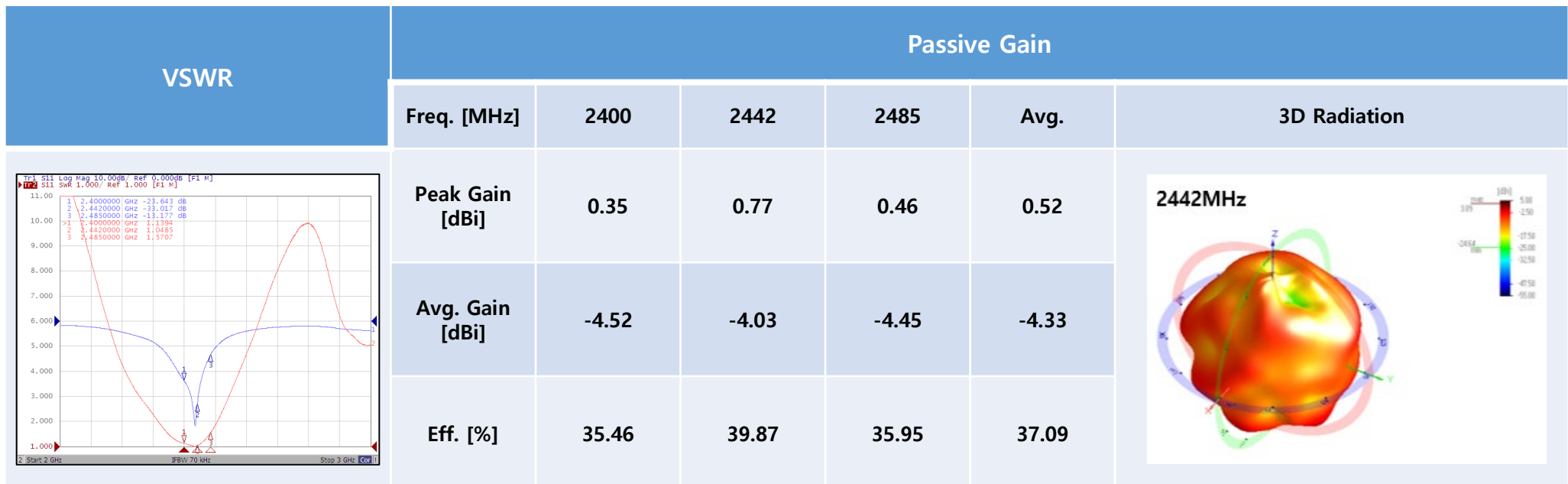


1-2. Matching Circuit



C318	C313	L302
1.2pF	1.5pF	DNP

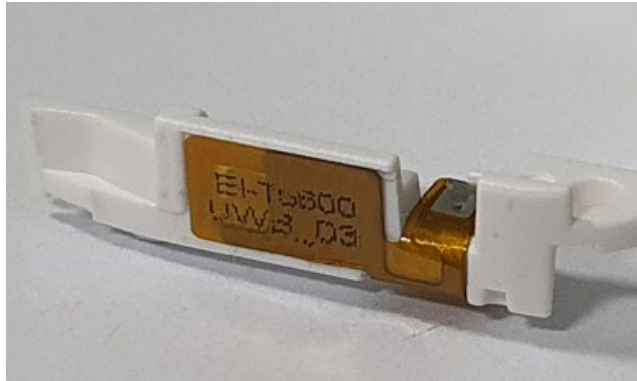
1-3. Passive Result



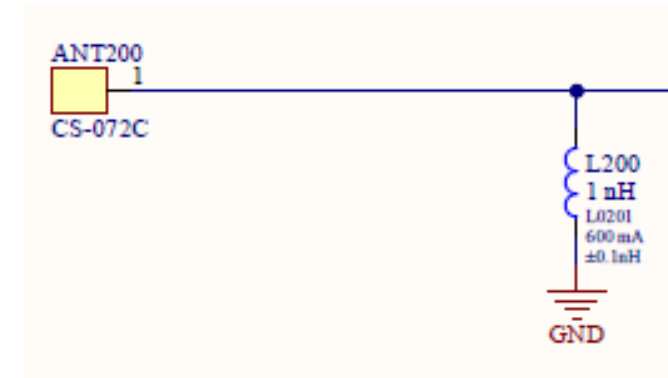
- Antenna manufacturer : Amotech
- Antenna Model : AMO-FA-SS002
- Antenna measuring instrument : Amotech

UWB Antenna

1-1. Picture



1-2. Matching Circuit



L200
1nH

1-3. Passive Result

VSWR	Passive Gain					3D Radiation
	Freq. [MHz]	7750	8000	8250	Avg.	
	Peak Gain [dBi]	0.13	0.04	0.07	0.08	
Avg. Gain [dBi]	-3.76	-3.83	-3.89	-3.82		
Eff. [%]	42.07	41.40	40.83	41.43		

UWB Antenna

1-3. Passive Result

Freq. [MHz]	Passive Gain	
	Avg. Gain [dBi]	Peak Gain [dBi]
30	-28.24	-23.52
815	-27.63	-22.87
1600	-26.79	-21.68
2150	-20.66	-13.33
2700	-18.35	-12.37
4975	-13.89	-7.82
7250	-4.84	-2.25
7875	-3.75	0.12
8500	-4.73	0.05
9375	-8.47	-1.46
10250	-10.36	-3.65

UWB Antenna

1-3. Passive Result

Freq. [MHz]	Passive Gain	
	Avg. Gain [dBi]	Peak Gain [dBi]
10425	-10.74	-5.72
10600	-10.99	-5.68
10650	-11.41	-5.83
10700	-11.62	-6.11
11200	-12.48	-7.73
11700	-13.47	-7.98
12225	-15.63	-8.27
12750	-15.89	-8.52
19375	-23.92	-17.86
26000	-29.25	-24.34