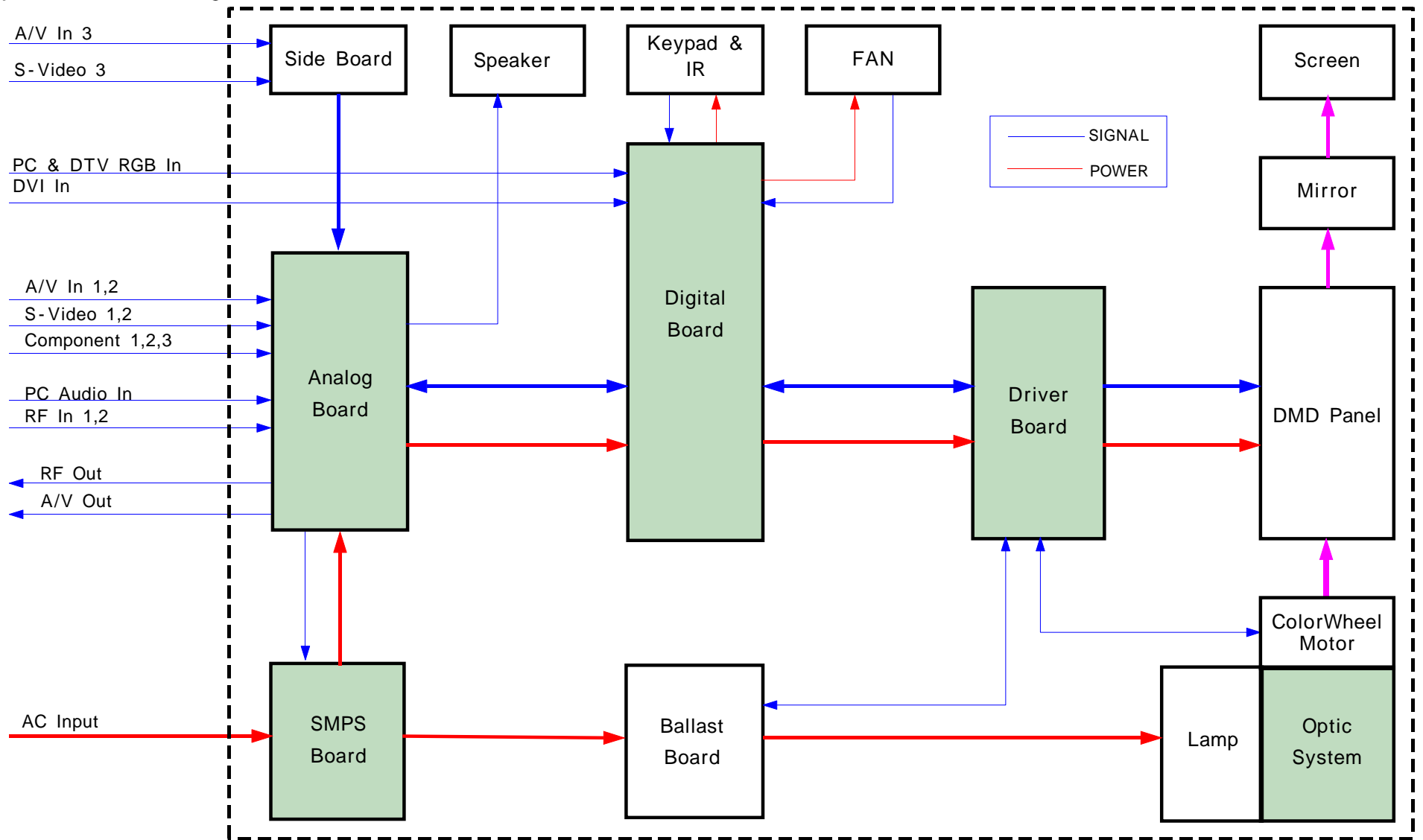
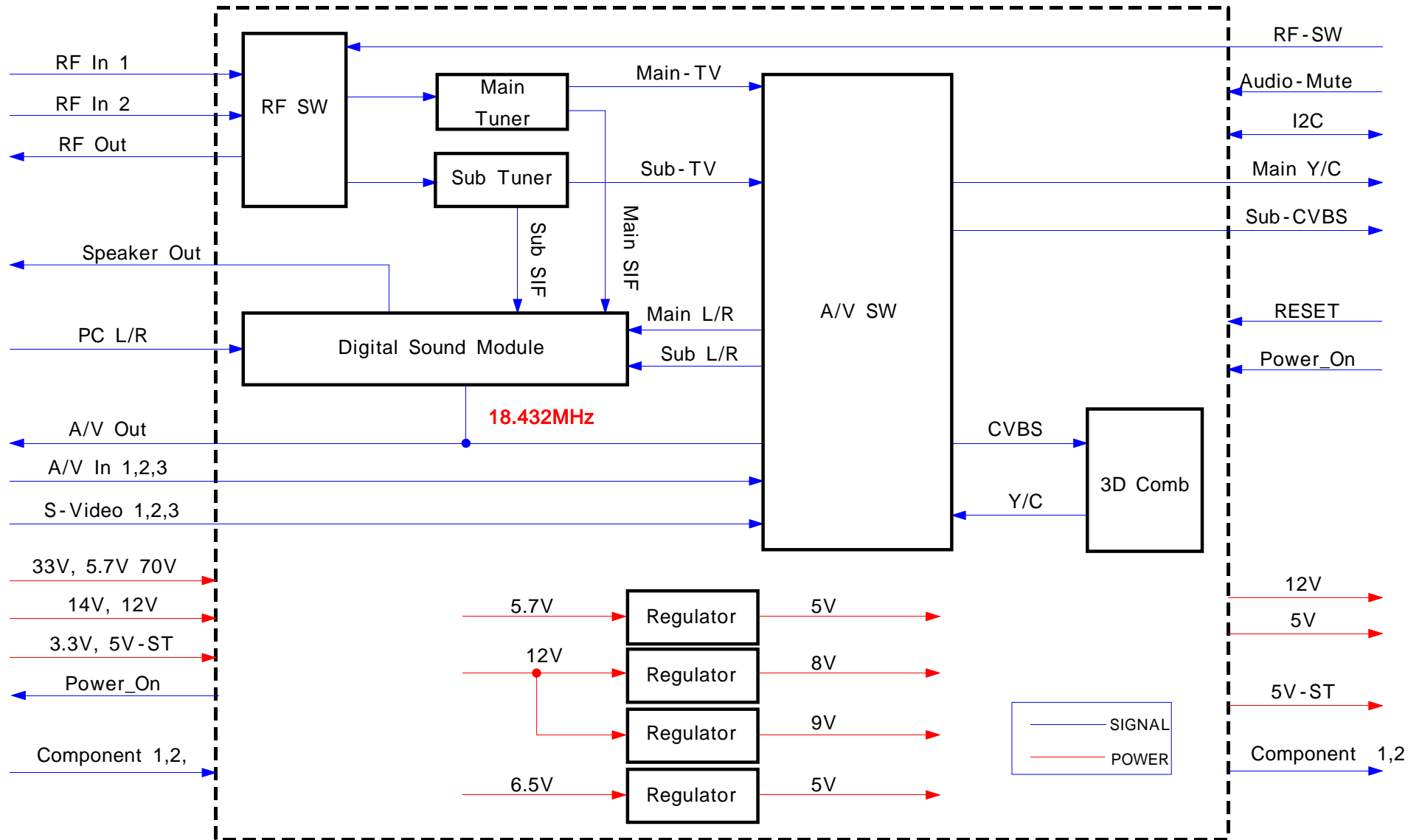


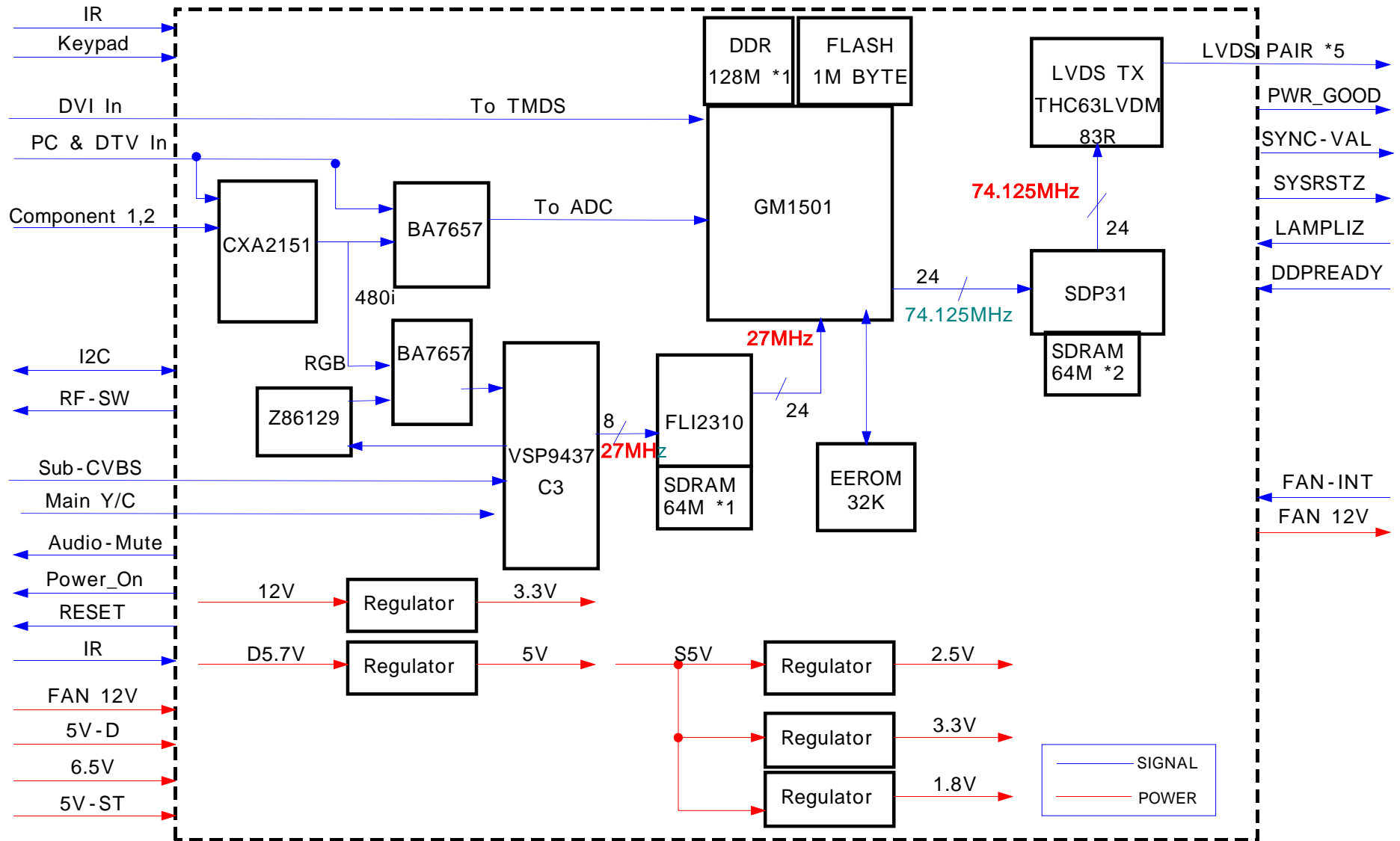
# System Block Diagram



# Analog Board Block Diagram



# Digital Board Block Diagram



# Driver Board Block Diagram

