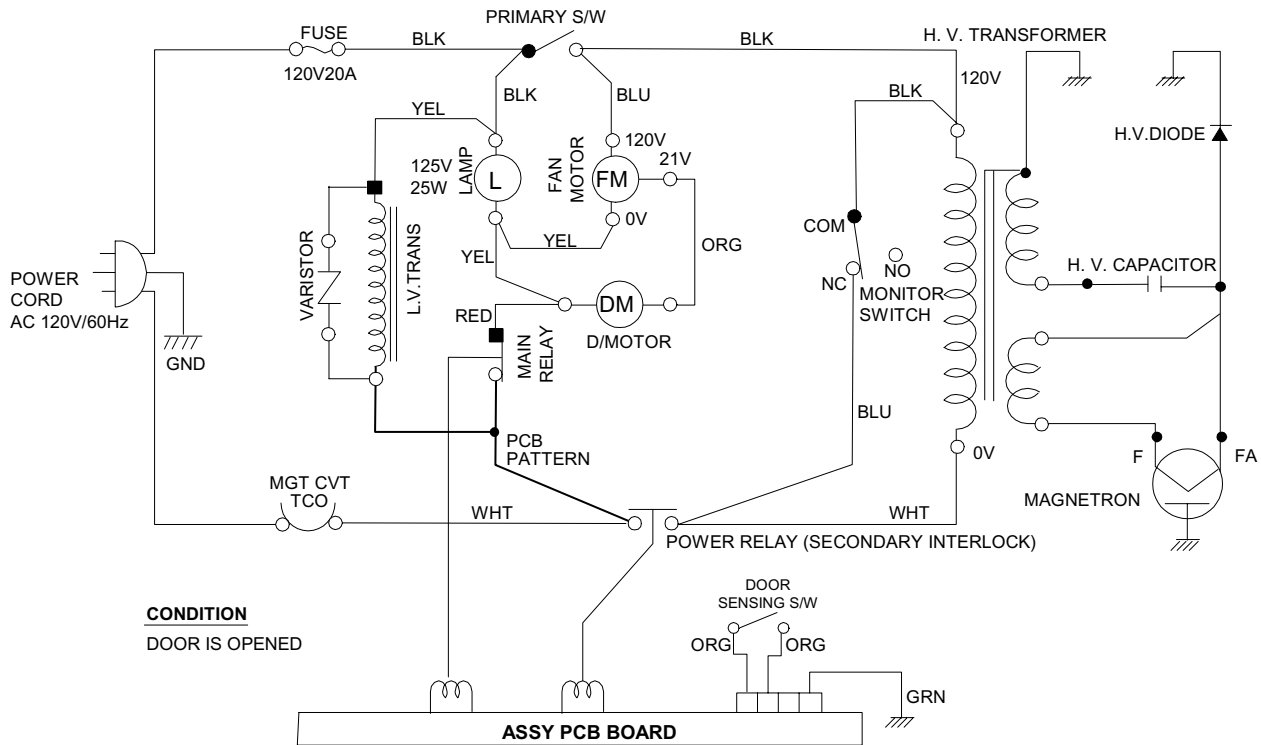


CLOCK	POWER LEVEL	AUTO DEF.	AUTO COOK	COMBI	GRILL	OPTION 6	OPTION 1	OPTION
STOP CANCEL	10MIN	INSTANT COOK1	INSTANT REHEAT1	0.1Kg	SELF TEST	OPTION 7	OPTION 2	OPTION
START MIN+	1MIN	INSTANT COOK2	INSTANT REHEAT2	g	lbs	OPTION 8	OPTION 3	OPTION
HOLD TIMER	10SEC	INSTANT COOK3	INSTANT REHEAT3	Kg	oz	OPTION 9	OPTION 4	OPTION
DUAL	MORE/LESS			AUTO GRILL		OPTION 10	OPTION 5	OPTION

NOTE: CIRCUIT SHOWN WITH DOOR IS OPENED POSITION.
 NOTE: FOR SERVICE REPLACEMENT USE 16 GA 105°C
 THERMOPLASTIC COVERED WIRE EXCEPT
 FOR HIGH VOLTAGE LEADS OR AS NOTED ON SPECIAL LEADS.

WARNING
 POWER MUST BE DISCONNECTED
 BEFORE SERVICING THIS APPLIANC



CONDITION
 DOOR IS OPENED