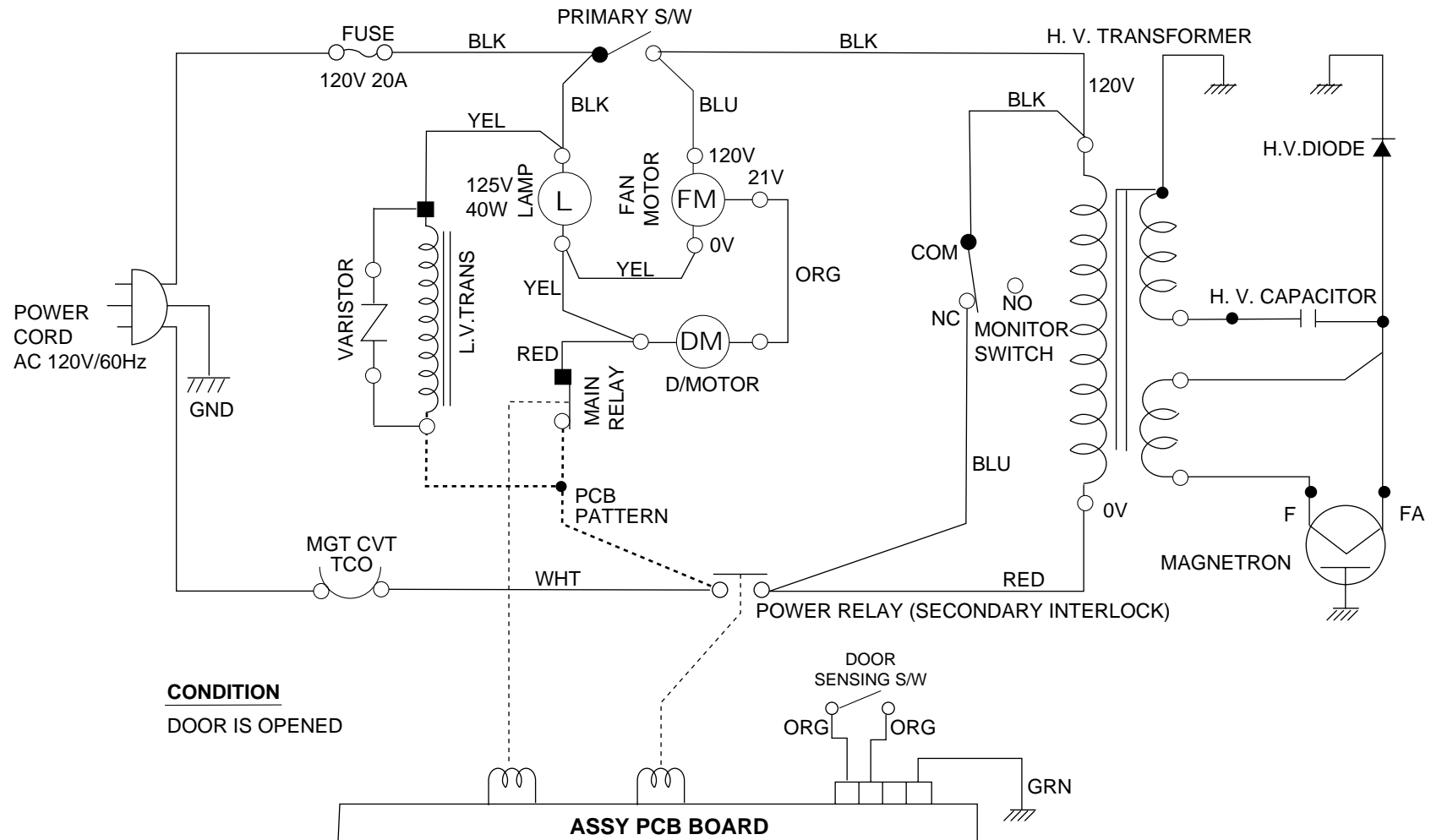


# Schematic Diagram

Model : MW5592W



# PCB Diagram MW5592W

