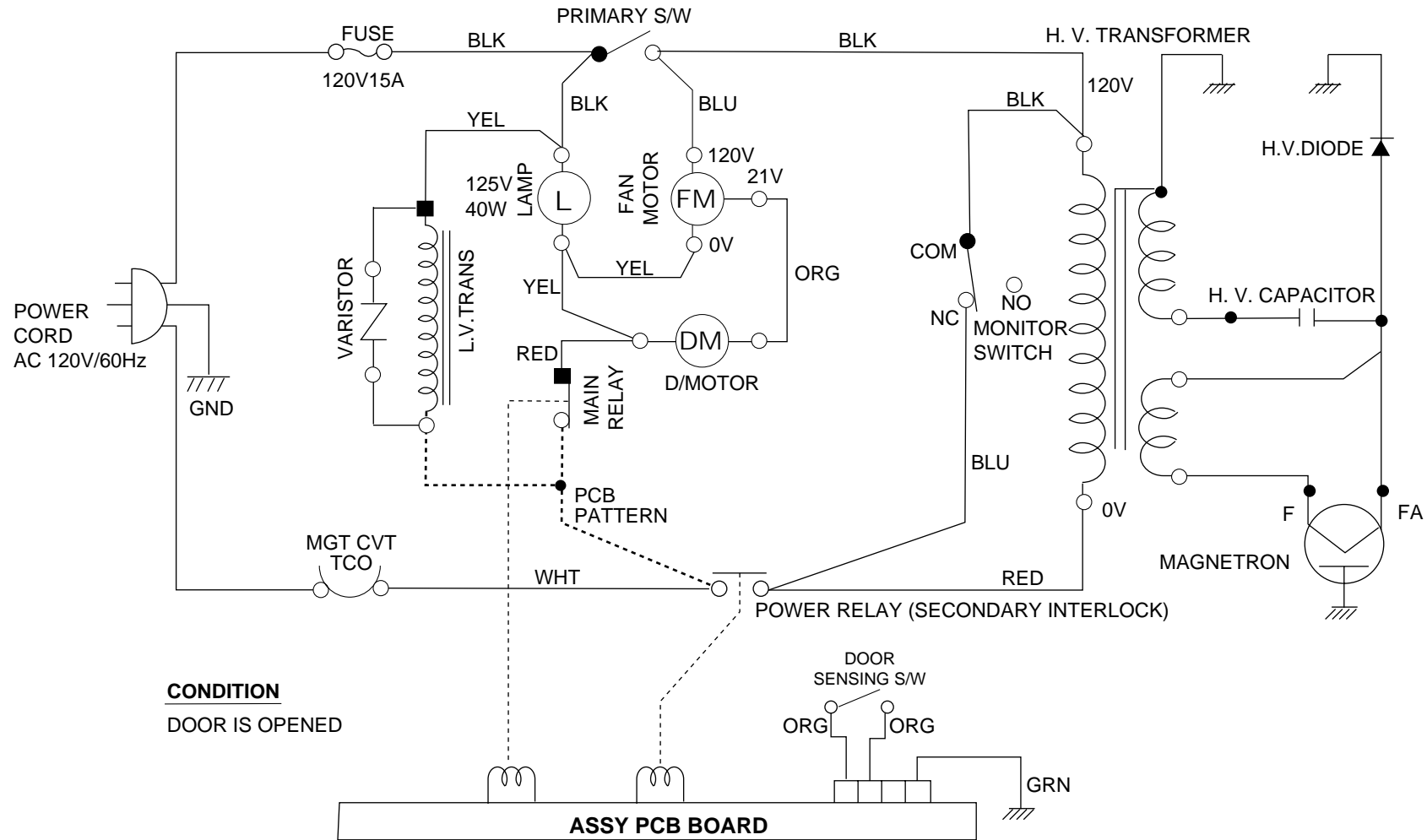


Schematic Diagram

Model : MW4592W



PCB Diagram MW4592W

