

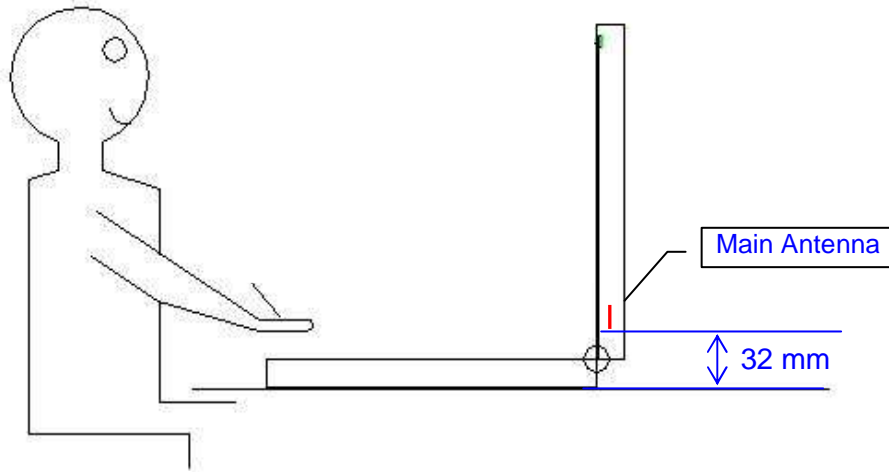
## 15. ANTENNA LOCATIONS AND SEPARATION DISTANCES

### 15.1. SUMMARY OF SAR TEST CONFIGURATIONS

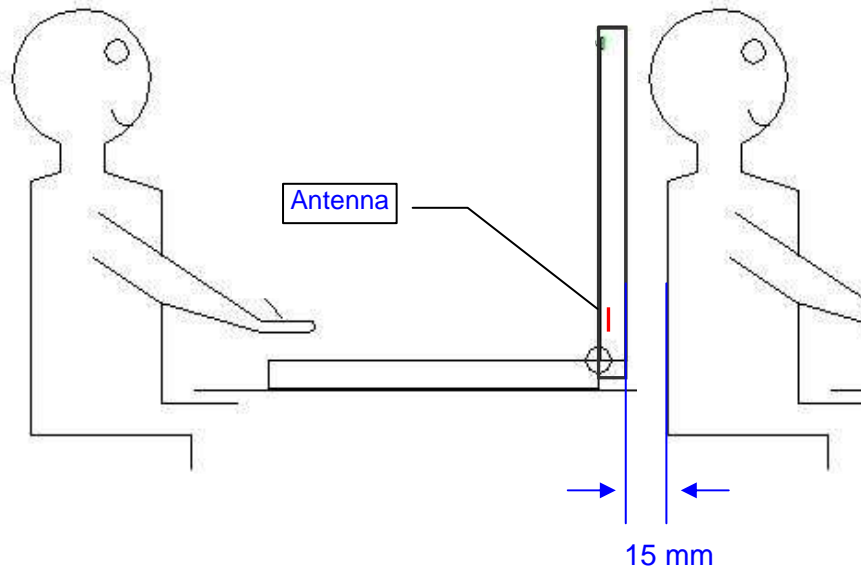
Configuration	Antenna-to-User distance	SAR Require	Comments
Lap-held	32mm From Main-to-user	Yes	
Bystander	15 mm From Main-to-bystanders	Yes	SAR tested 15 mm from back of the display. Per RSS-102 Supplementary Procedures (SPR)-001 January 1, 2011. IC requires SAR measurements to be performed if the integrated antenna(s) are located in the back side of the display screen.

## 15.2. ANTENNA-TO-USERS AND BYSTANDERS

Lap-held configuration  
(Separation distance between antennas and user)



Bystanders configuration  
(Separation distance between antenna and nearby person)

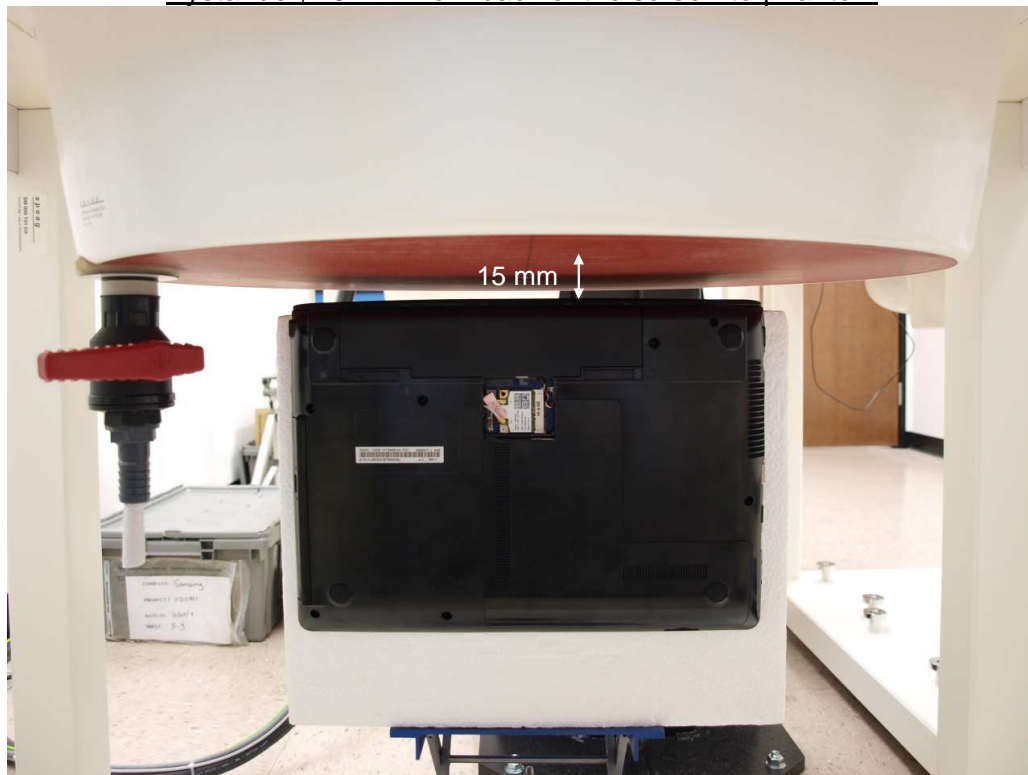


## 16. TEST SETUP PHOTOS

Lap-held, 0 mm from the bottom of the laptop base-to-phantom



Bystander, 15 mm from back of the screen-to-phantom



## 17. HOST DEVICE PHOTO



END OF REPORT