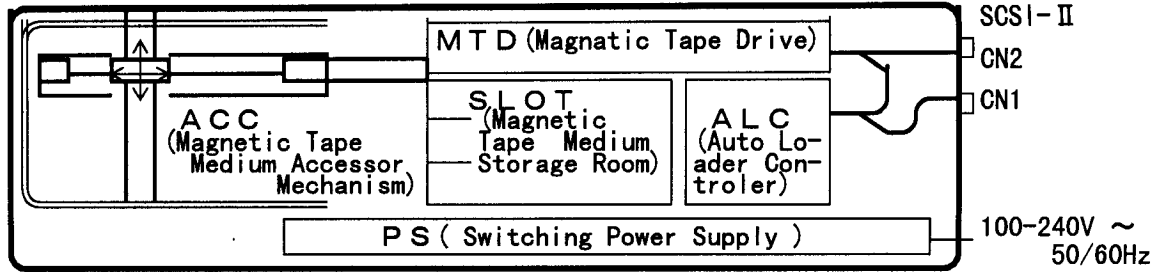
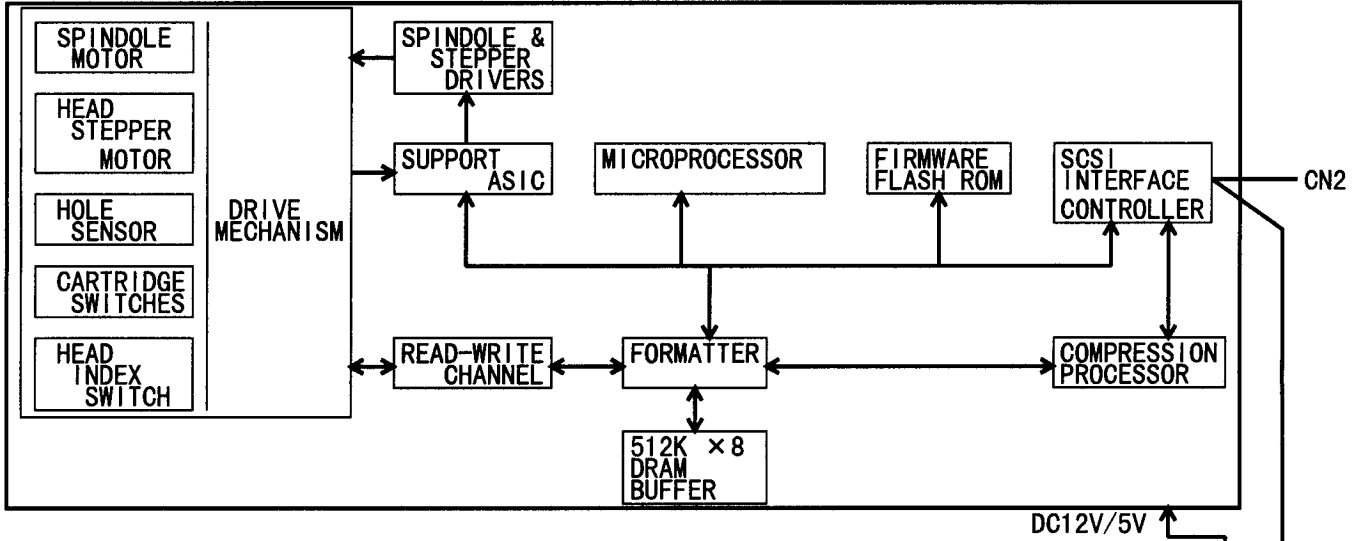


Main parts Block of the EUT

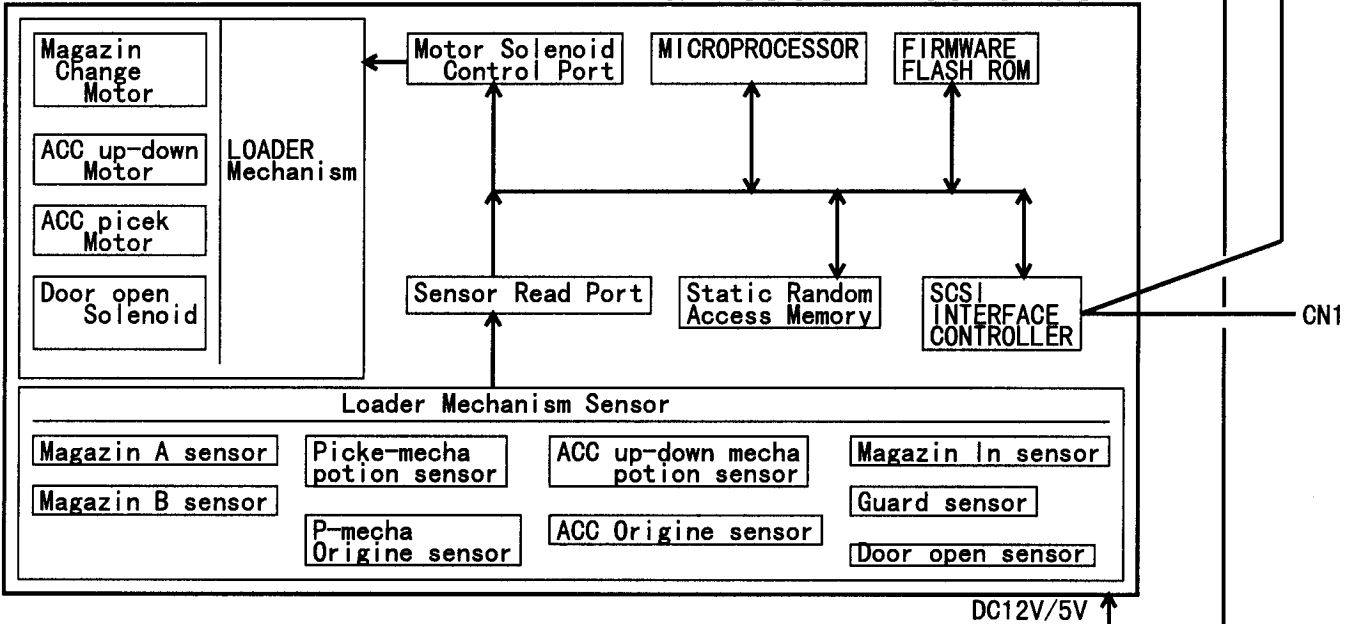


The clock frequency used in the MTD-block are 24MHz and 40MHz used in the ALC-block is 20MHz. The switching frequency used in the PS-block of the AC power supply unit is 100kHz.

Circuit diagram of the EUT MTD-block (magnetic tape drive)



ALC-block (auto loader control) & Loader mechanism



PS-block (switching power supply)

