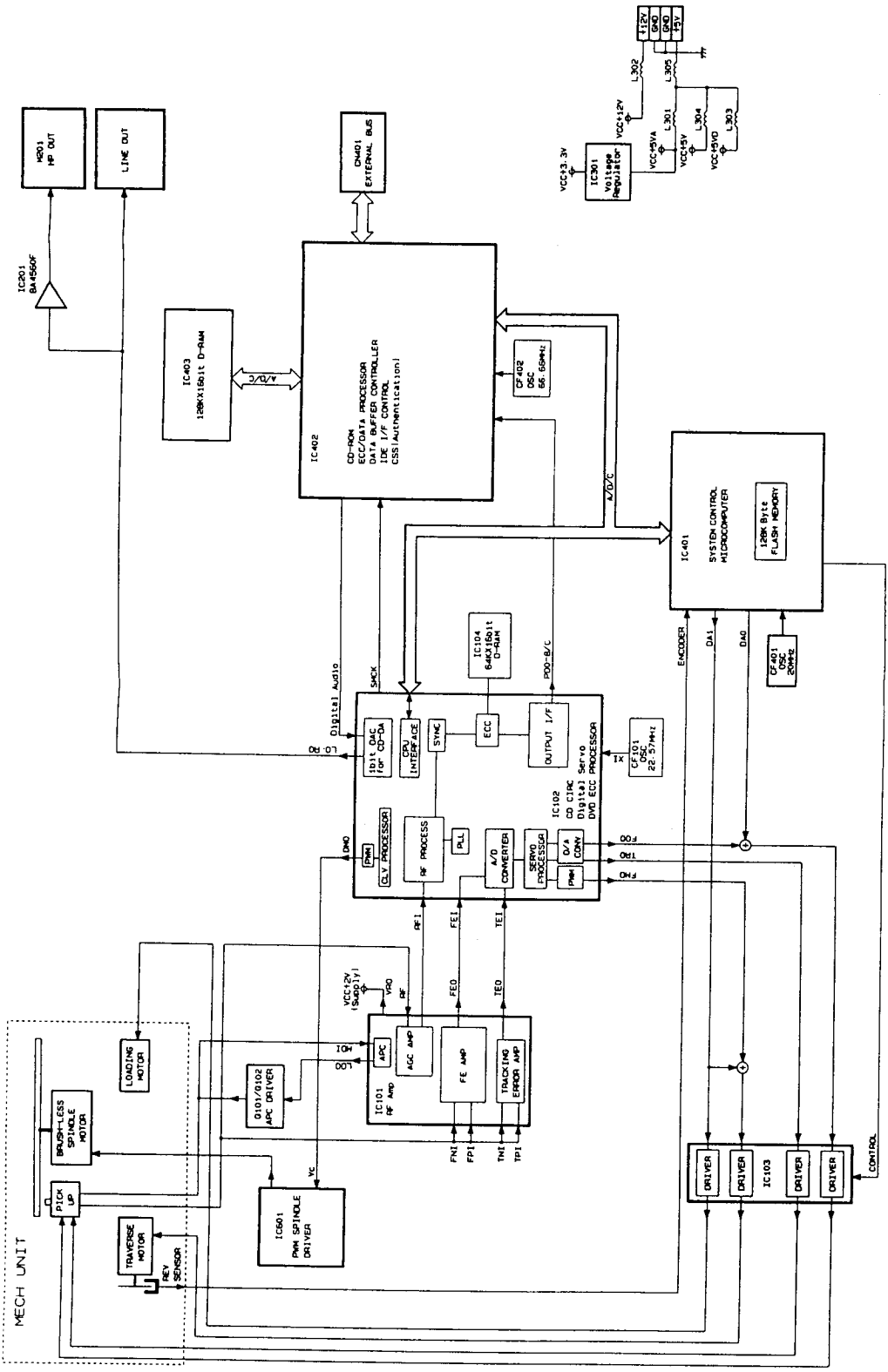


REV	1	2	3	4
DATE				
BY				
CHKD				
APP				
FORM	DV-5700A			
TITLE	BLOCK DIAGRAM			
PROJ NO	7993361			
PWA	3526			
REV				
DATE				



REV	1	2	3	4
DATE				
BY				
CHKD				
APP				
FORM	DV-5700A			
TITLE	BLOCK DIAGRAM			
PROJ NO	7993361			
PWA	3526			
REV				
DATE				