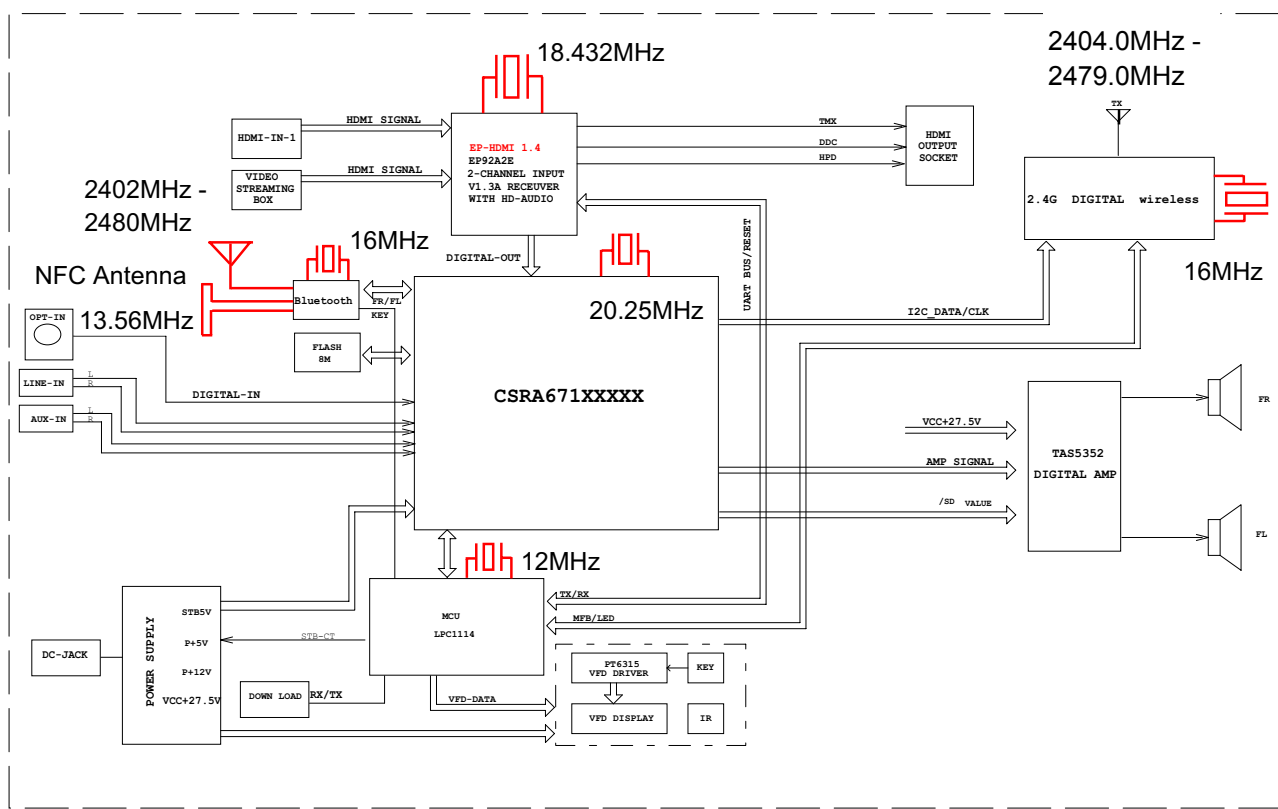


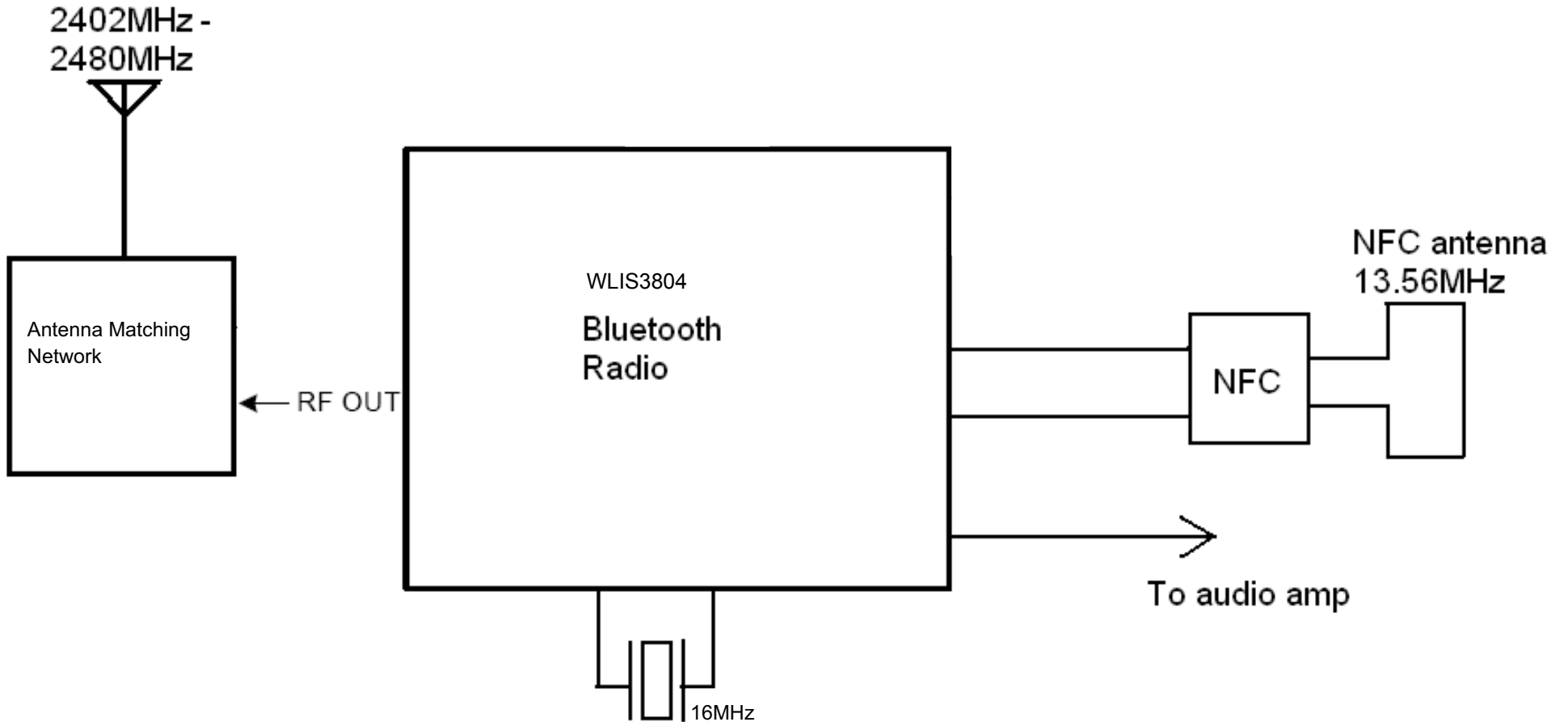
# ALCO SBX5065 +HDMI-IN-1.4

# BLOCK DIAGRAM



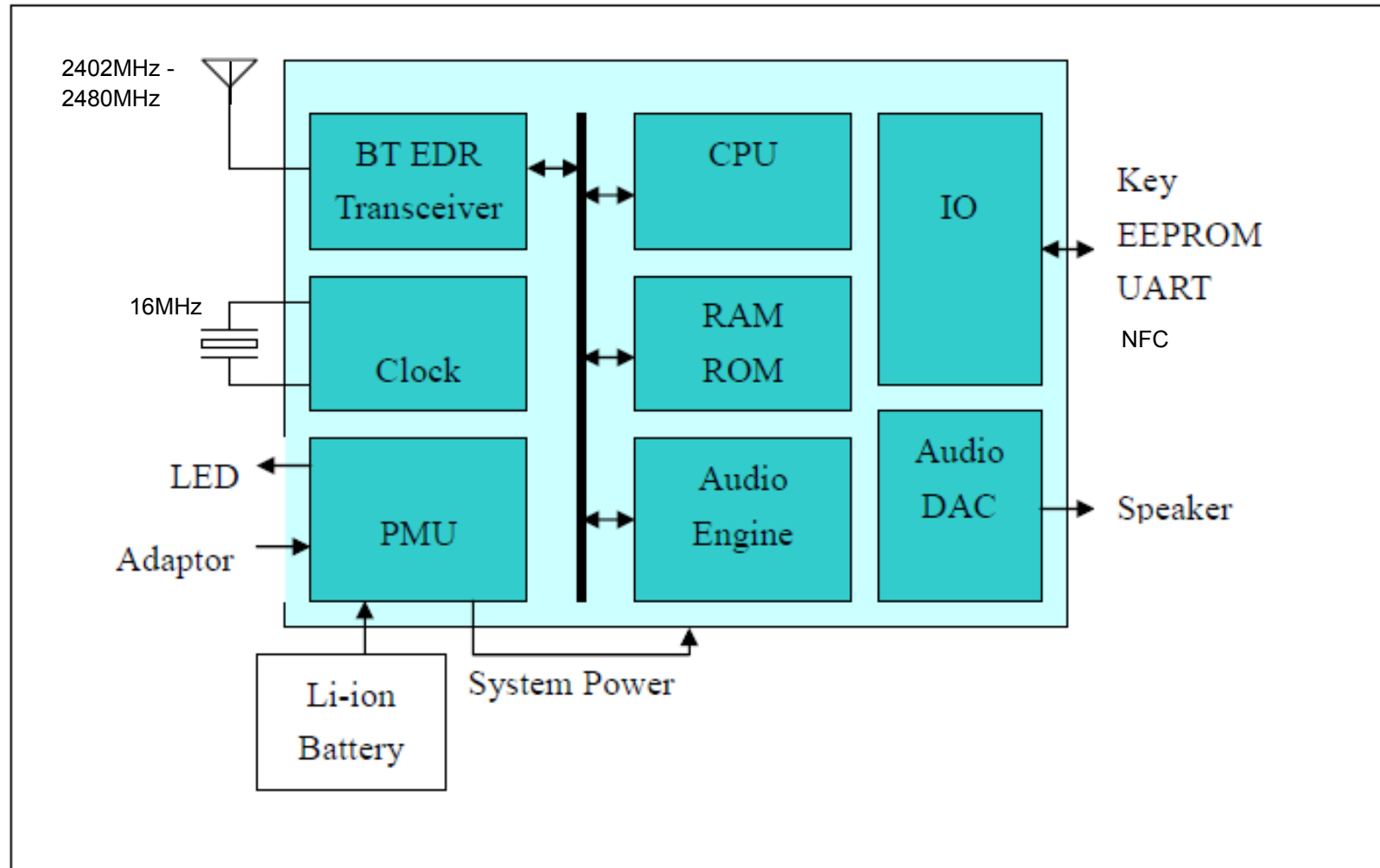
COMPANY: <b>ALCO Electronics Limited</b>					
Drawn by	Date	YK4M4DD	DOCK#	SBX5065	
Checked by	Date	YY4M4DD	FILE	BLOCK	Rev: 1.0
Approved	Date	YY4M4DD	Size	LAST REVISION DATE	Sheet: 5 of 5
			Custom	Friday, July 05, 2013	

Bluetooth Module WL3804

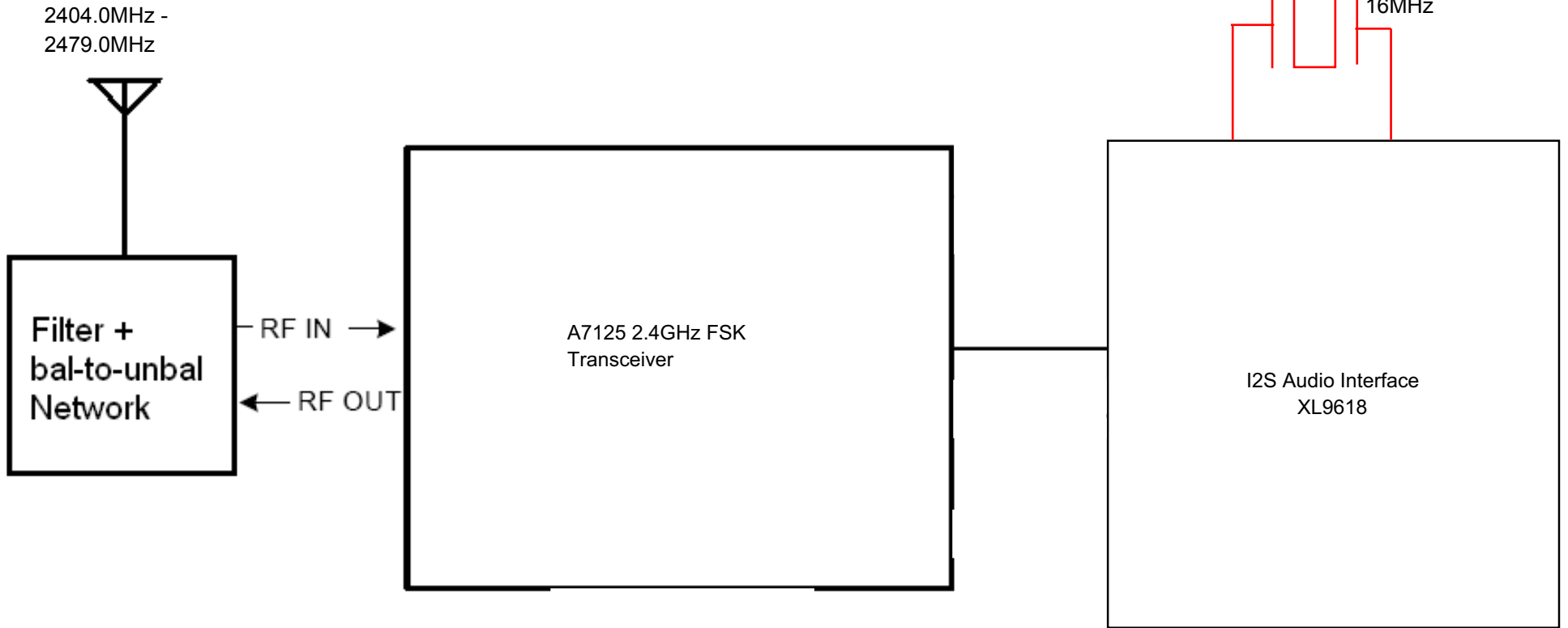


**Block Diagram of Bluetooth Module**

## WLIS3804 Bluetooth Radio



2.4GHz Wireless Module



**6. Block Diagram**

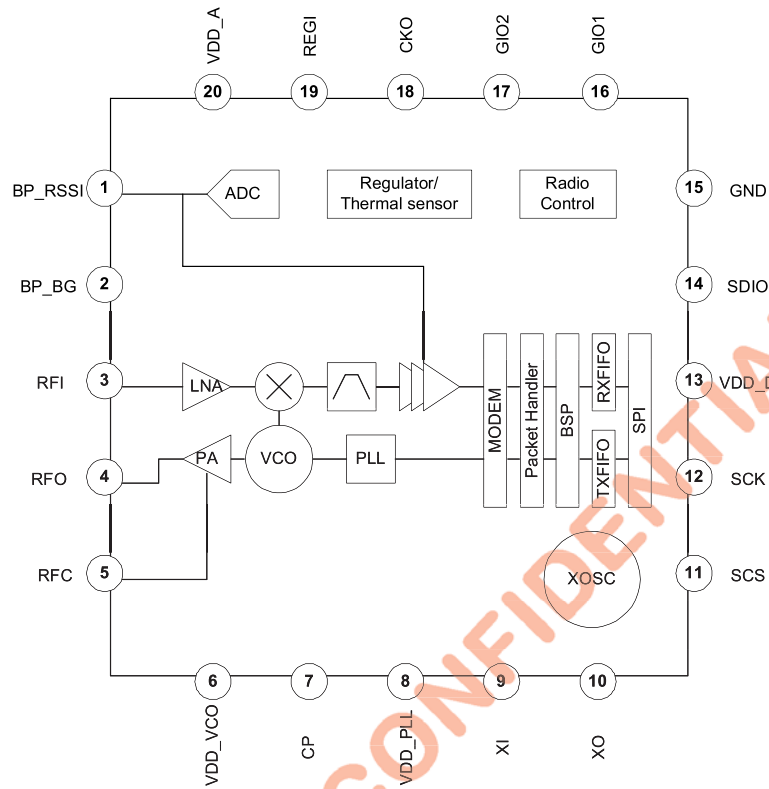


Figure 6.1 A7125 Block Diagram