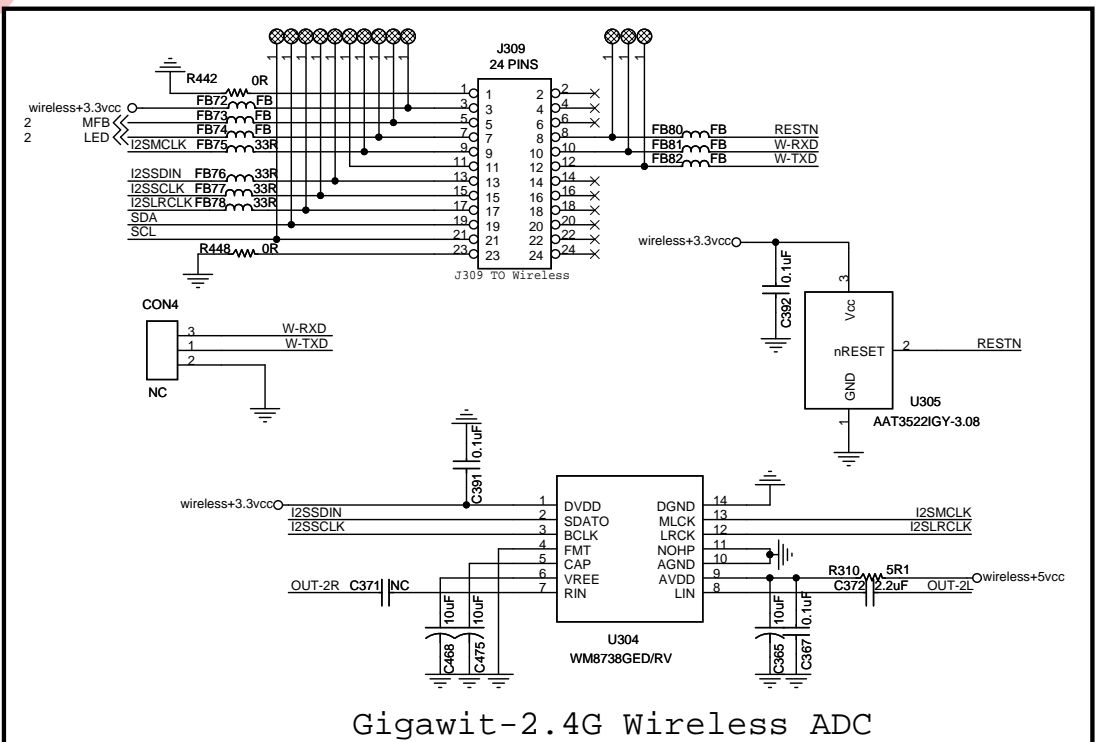



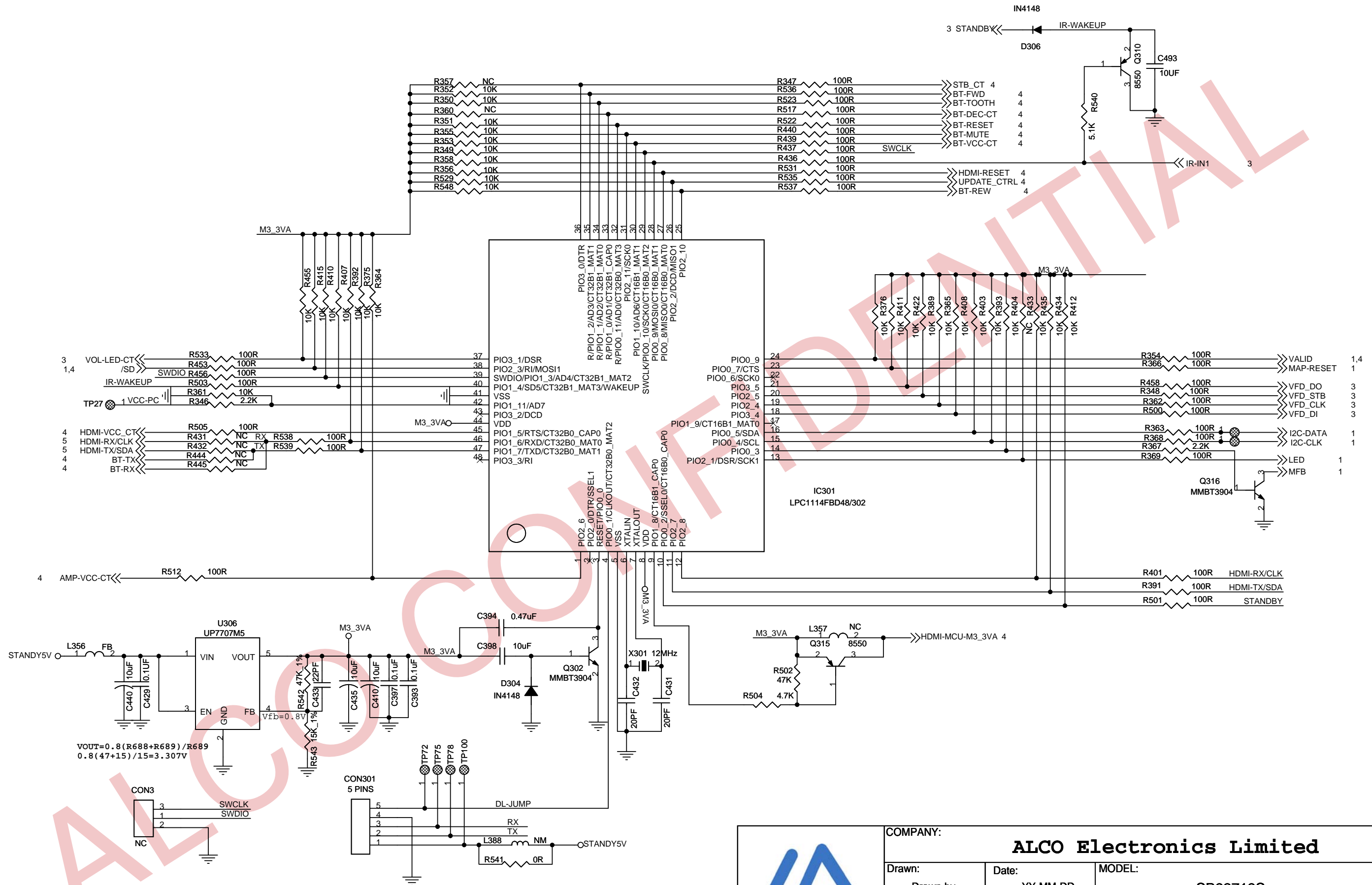
**MAP5602M**



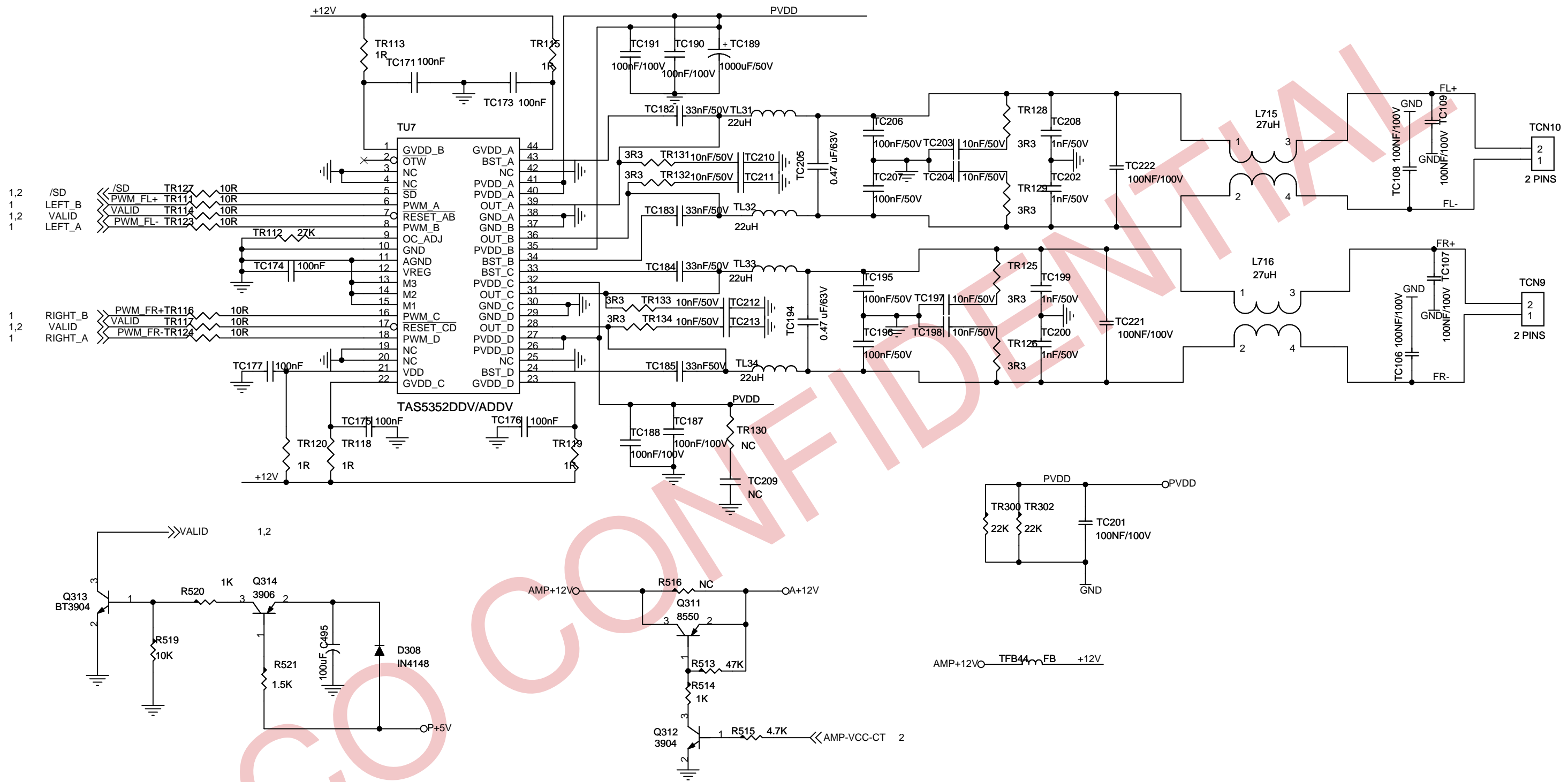
Gigawit-2.4G Wireless ADC

MARK1 MARK2 MARK3 MARK4

	COMPANY: <b>ALCO Electronics Limited</b>				
	Drawn:	Date:	MODEL:	SB93719S	
	Checked:	Date:	Title:	DSP	Rev: 1.0
	Approved:	Date:	Size:	LAST SAVED DATE: Thursday, May 10, 2012	Sheet: 1 of 5



COMPANY:				
<b>ALCO Electronics Limited</b>				
Drawn:	Date:	MODEL:		
Drawn by	YY-MM-DD	SB93719S		
Checked:	Date:	Title:		
Checked by	YY-MM-DD	MCU		Rev: 1.0
Approved:	Date:	Size:	LAST SAVED DATE:	Sheet:
Approved by	YY-MM-DD	Custom	Wednesday, May 09, 2012	2 of 5

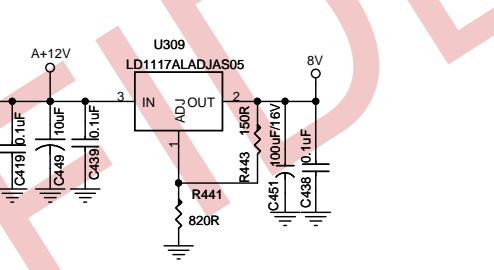
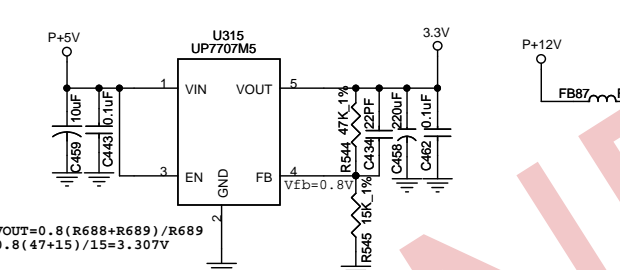
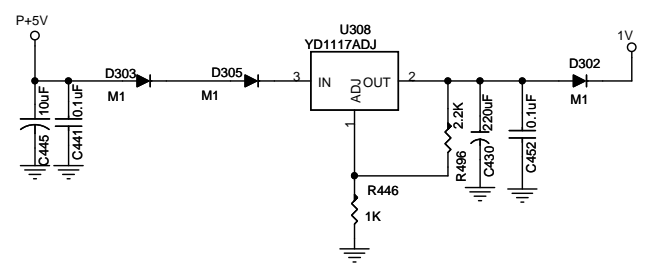
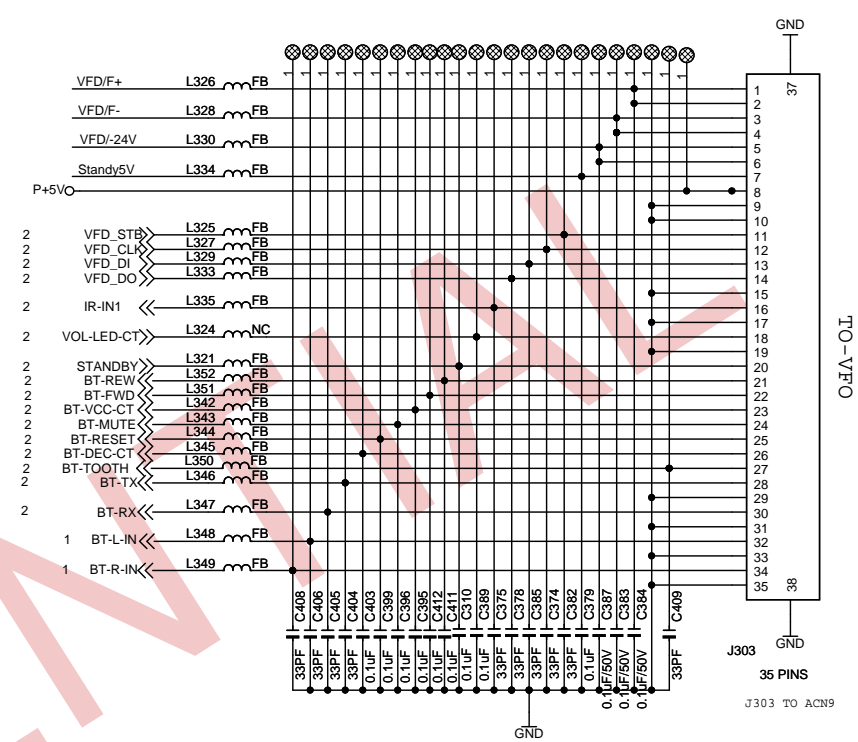
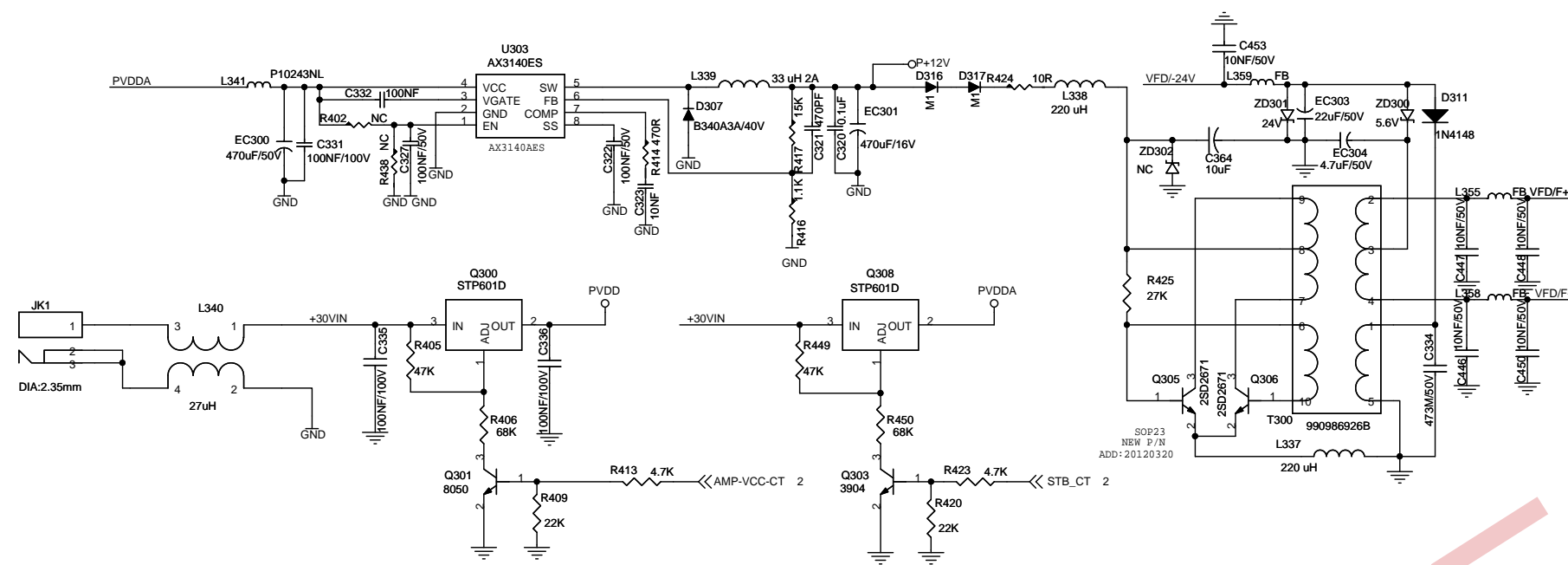


ALCO

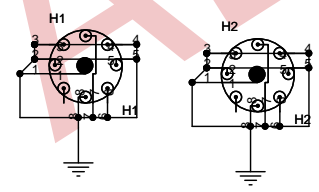
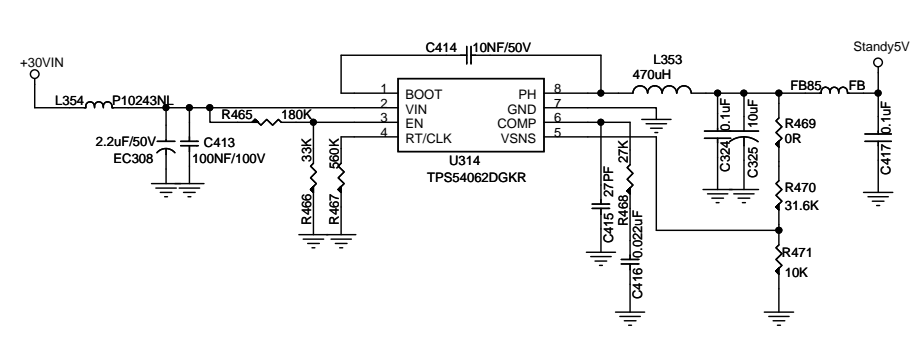
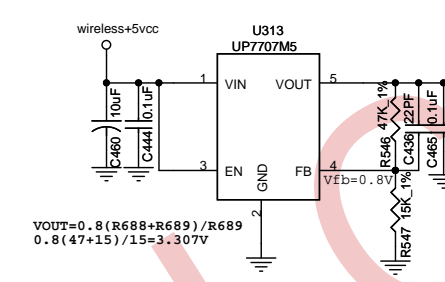
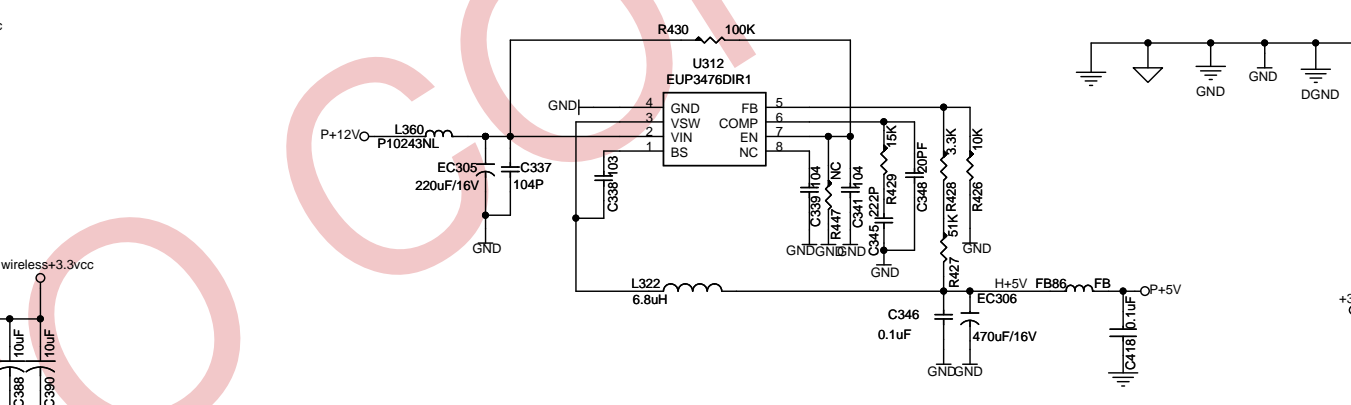
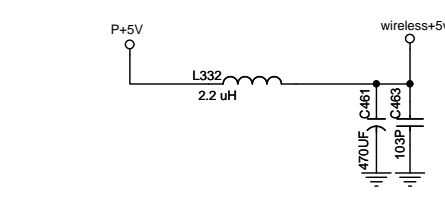
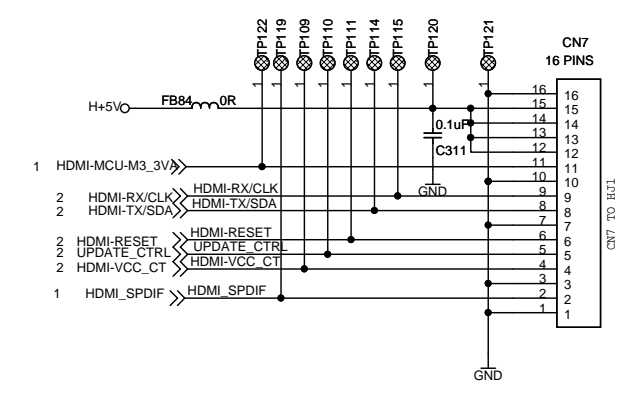


COMPANY:				
<b>ALCO Electronics Limited</b>				
Drawn:	Date:	MODEL:		
Drawn by	YY-MM-DD	SB93719S		
Checked:	Date:	Title:		Rev:
Checked by	YY-MM-DD	AMP		1.0
Approved:	Date:	Size:	LAST SAVED DATE:	Sheet:
Approved by	YY-MM-DD	B	Thursday, May 10, 2012	3 of 5

TO DISPLAY

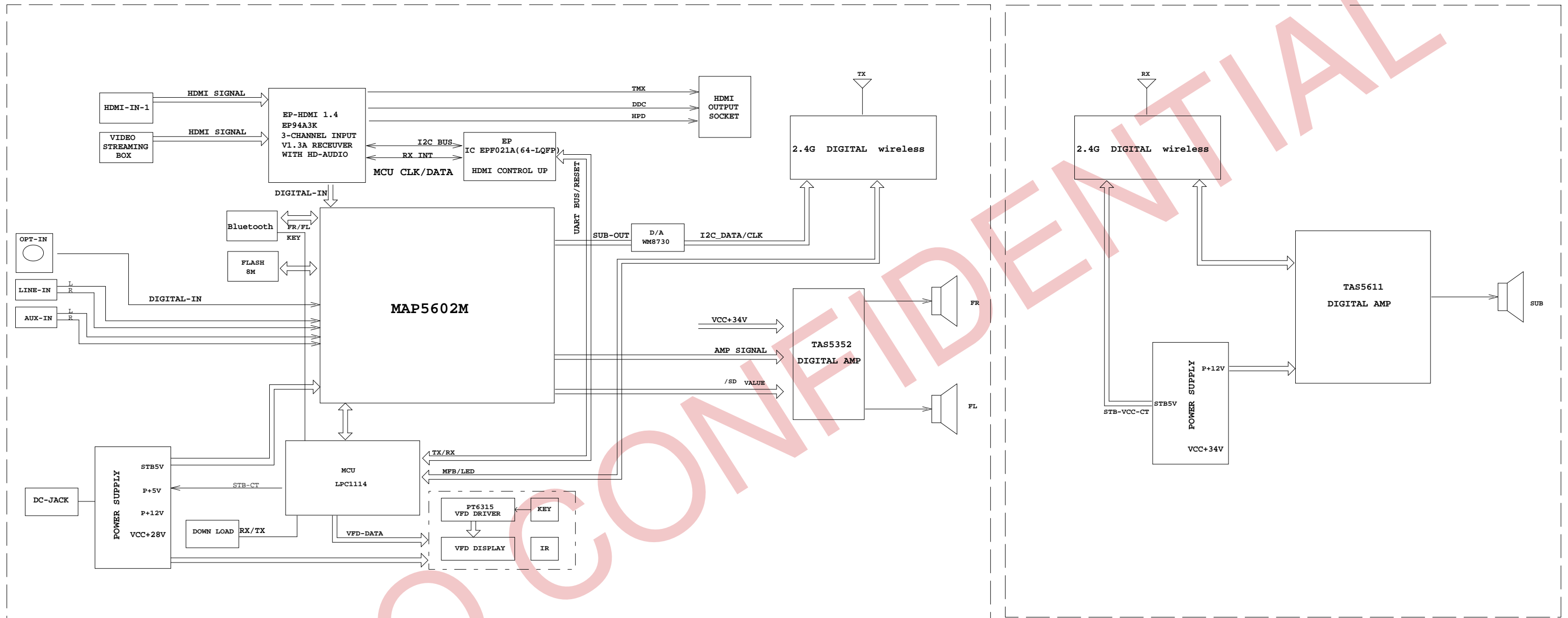


TO HDMI MAIN



COMPANY:			
<b>ALCO Electronics Limited</b>			
Drawn:	Date:	MODEL:	
Drawn by	YY-MM-DD	SB93719S	
Checked:	Date:	Title:	
Checked by	YY-MM-DD	POWER	
Approved:	Date:	Size:	
Approved by	YY-MM-DD	LAST SAVED DATE:	Sheet:
		Thursday, May 10, 2012	4 of 5

# ALCO SB93719 +HDMI-IN-1.4 (300W) BLOCK DIAGRAM



COMPANY:		ALCO Electronics Limited		
Drawn by	Date: YY-MM-DD	MODEL:	SB93719S	
Checked by	Date: YY-MM-DD	FILE:	BLOCK	Rev: 1.0
Approved by	Date: YY-MM-DD	Size:	Custom	LAST SAVED DATE: Wednesday, May 09, 2012
				Sheet: 5 of 5