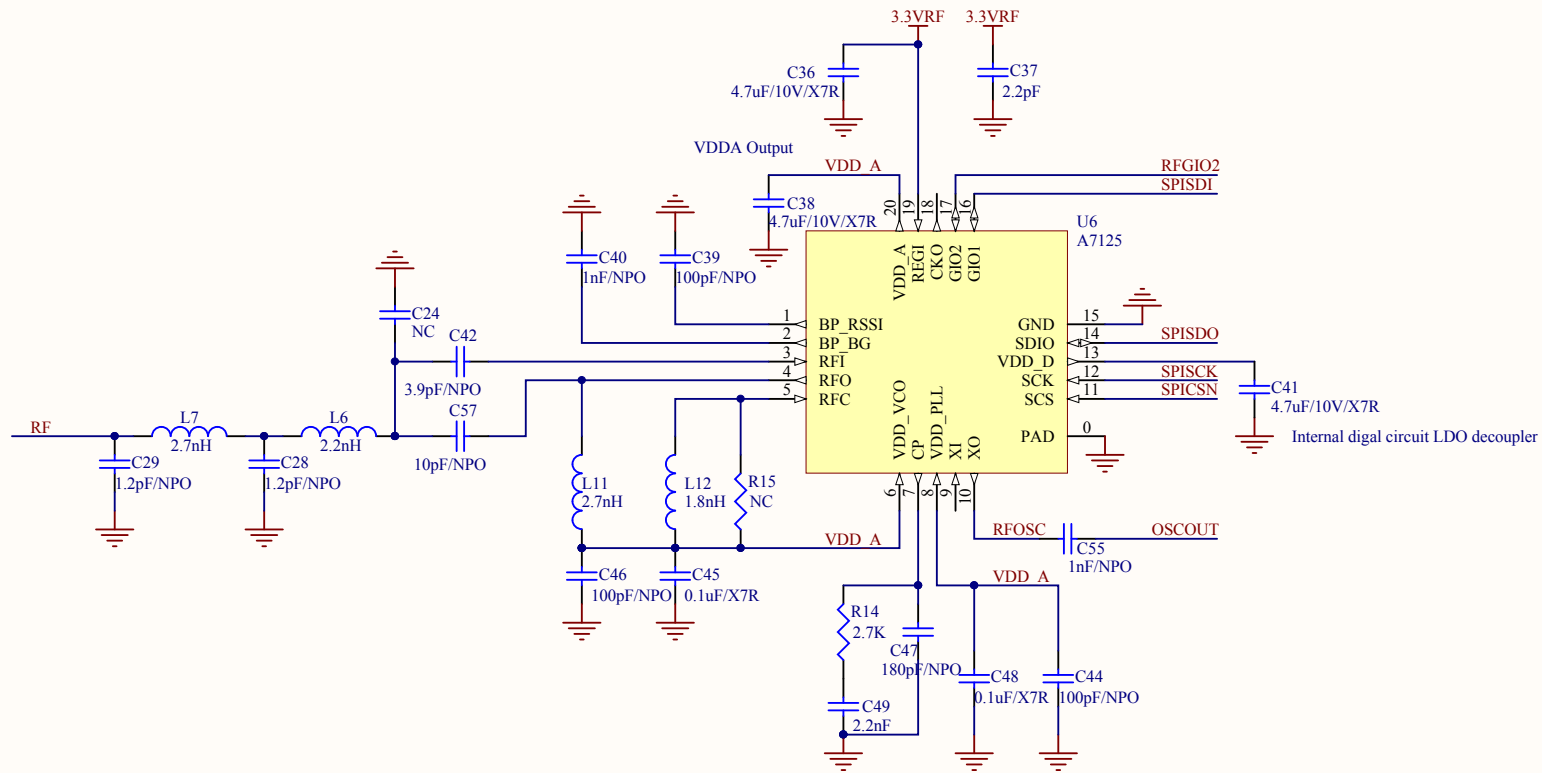


2.4GHz Wireless Module



Title: <i>GWK5NO_TX</i>	
Designed By: Jeff	Checked By: *
Approved By: *	Size: A4 Revision: *
Date: 2013/7/4 17:21:27	Sheet: * of *

Gigawit Electronics Ltd., All Rights Reserved.

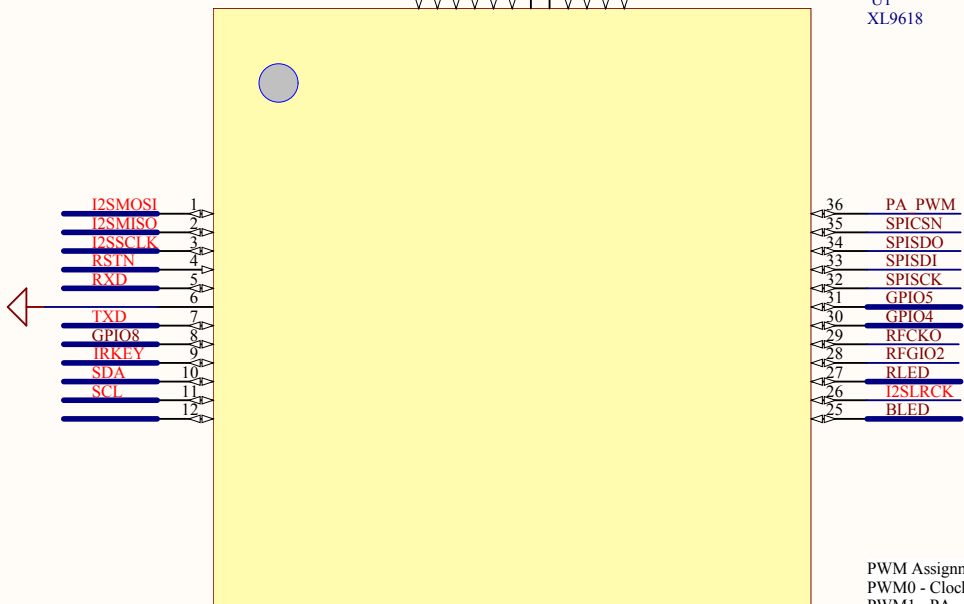
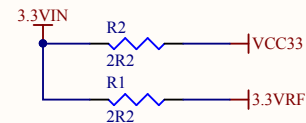
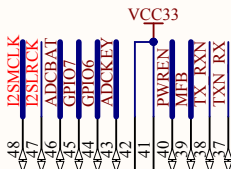
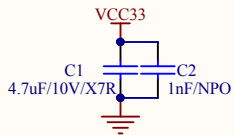


2.4GHz Wireless Module



Gigawit Electronics Ltd., All Rights Reserved.

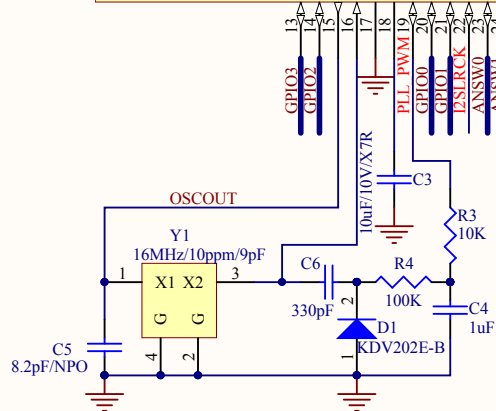
Title: RF_A7125		
Designed By: Jeff	Checked By: *	
Approved By: *	Size: A4	Revision: *
Date: 2013/7/4 17:21:27	Sheet: * of *	



U1
XL9618

PWM Assignment
 PWM0 - Clock PLL
 PWM1 - PA
 PWM2 - MCLK
 PWM3 - LRCK
 PWM4 - Unused
 PWM5 - LED1
 PWM6 - Capture for LRCK in I2S Slave
 PWM7 - LED0

2.4GHz Wireless Module



Title: **XL9618**

Designed By: Jeff

Checked By: *

Approved By: *

Size: A4

Revision: *

Gigawit Electronics Ltd., All Rights Reserved.

Date: 2013/7/4 17:21:27

Sheet: * of *