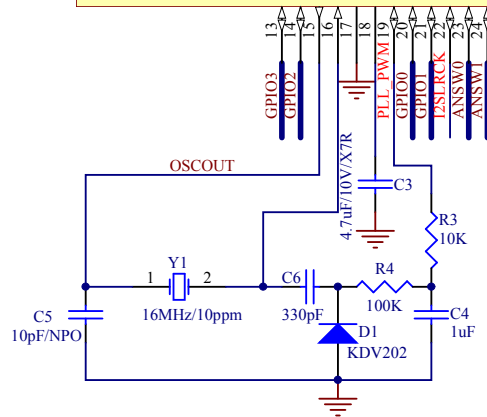
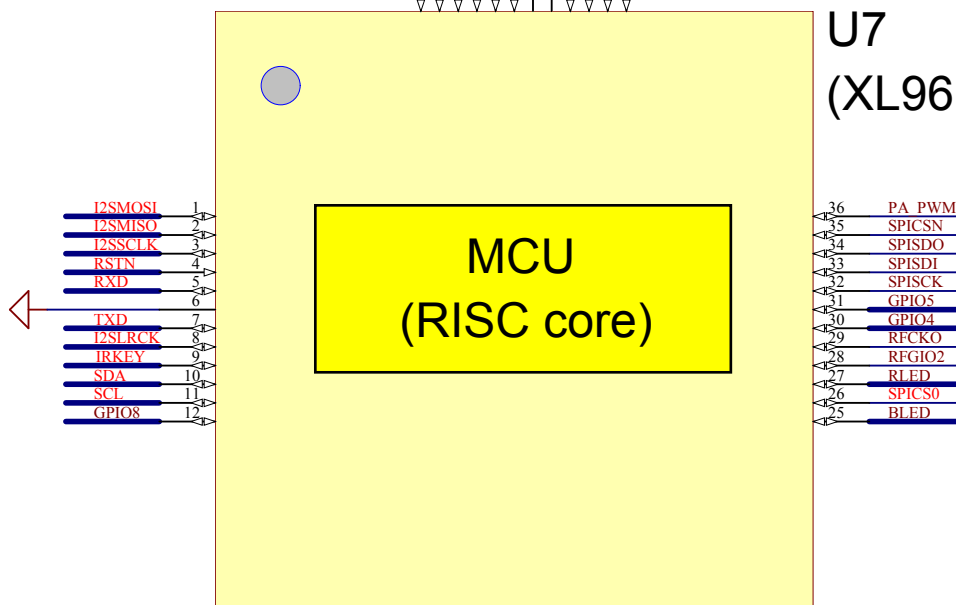
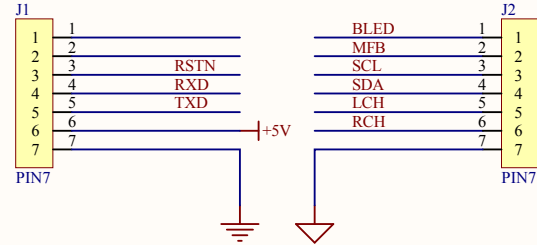
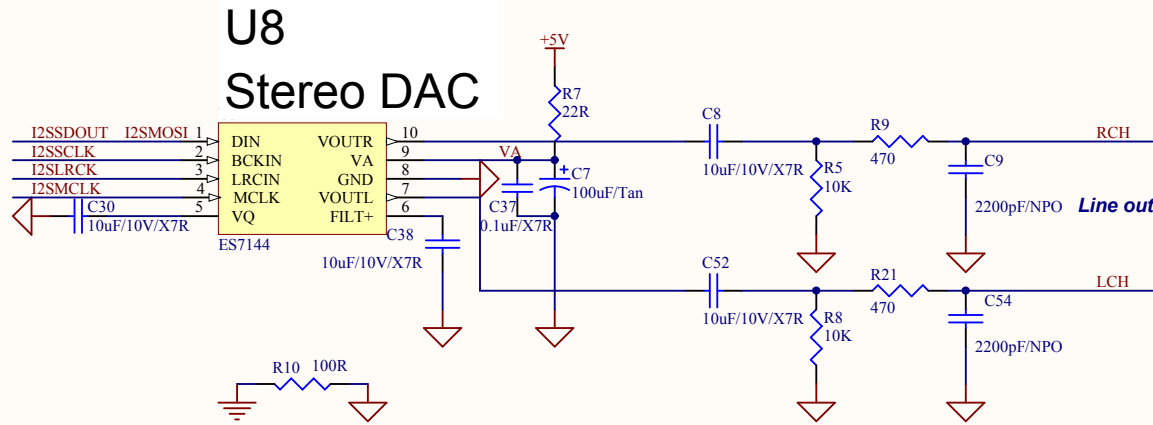
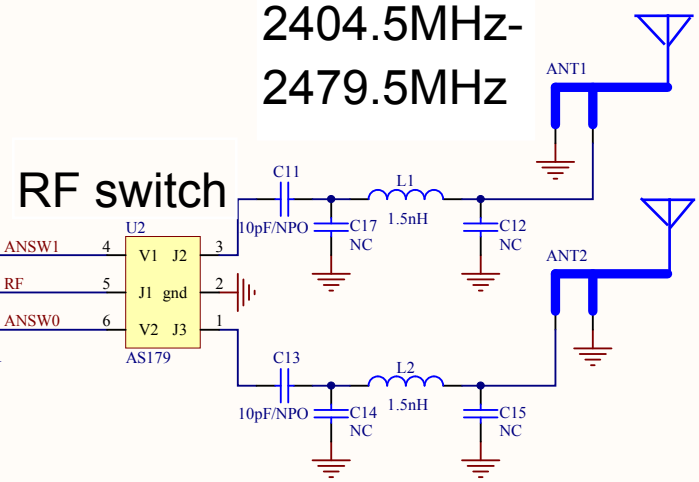
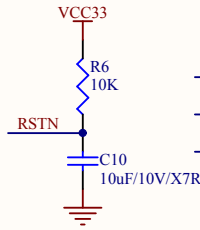
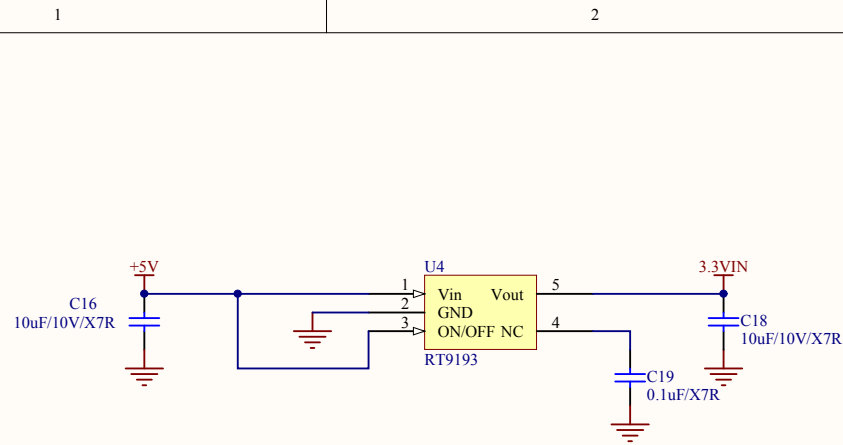


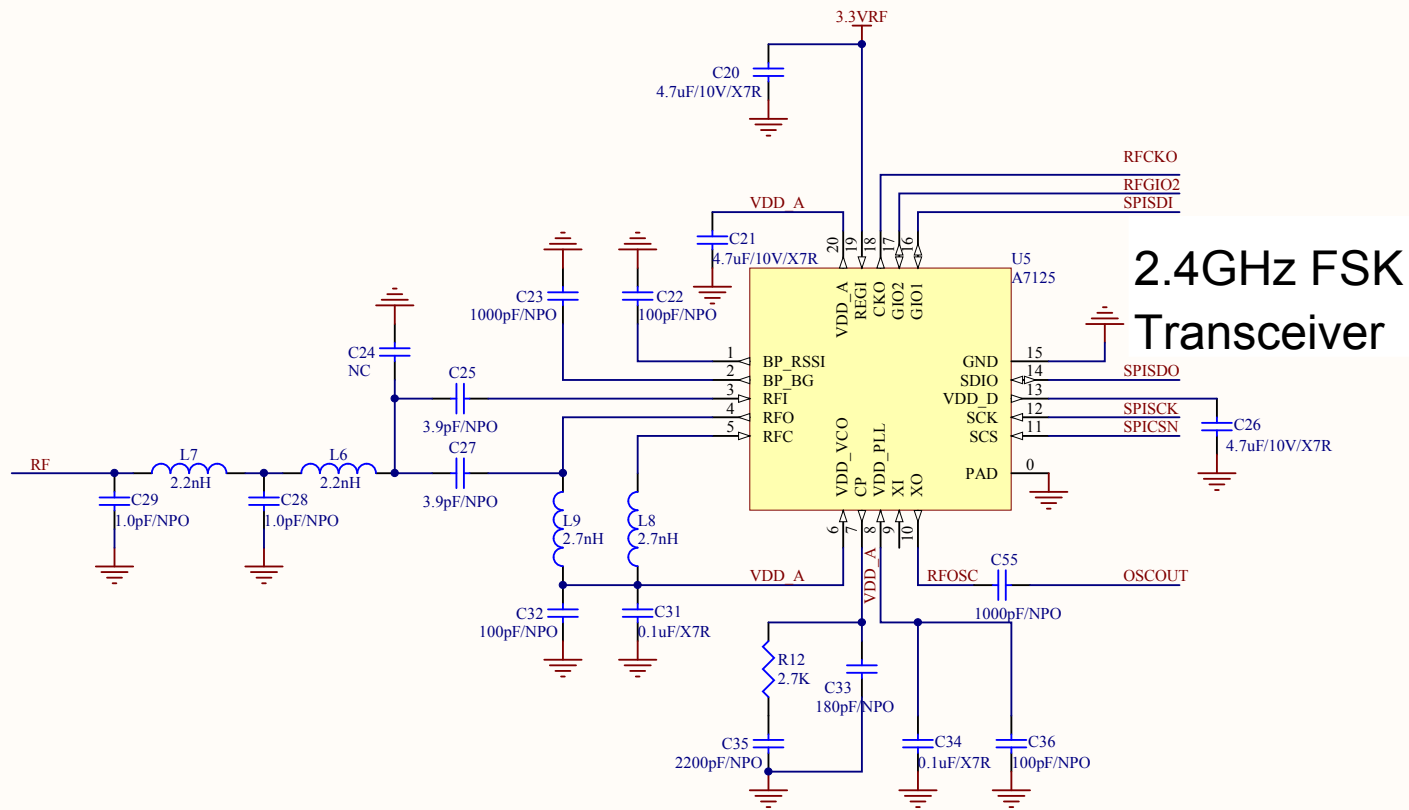
U7
(XL9618)



Title		
Size A4	Number	Revision
Date: 2012/6/28	Sheet of	
File: E:\SVN\...BB_XL9618.SchDoc	Drawn By:	



Cannot open file E:\K4x\template\logonew.jpg		Title:	
Designed By:		Checked By: *	
Approved By: *		Size: A4	Revision: *
Gigawit Electronics Ltd., All Rights Reserved.		Date: 2012/6/28 9:36:11	Sheet: * of *



2.4GHz FSK Transceiver

Title		
Size	Number	Revision
A4		
Date:	2012/6/28	Sheet of
File:	E:\SVN\..RF_A7125_SchDoc	Drawn By: