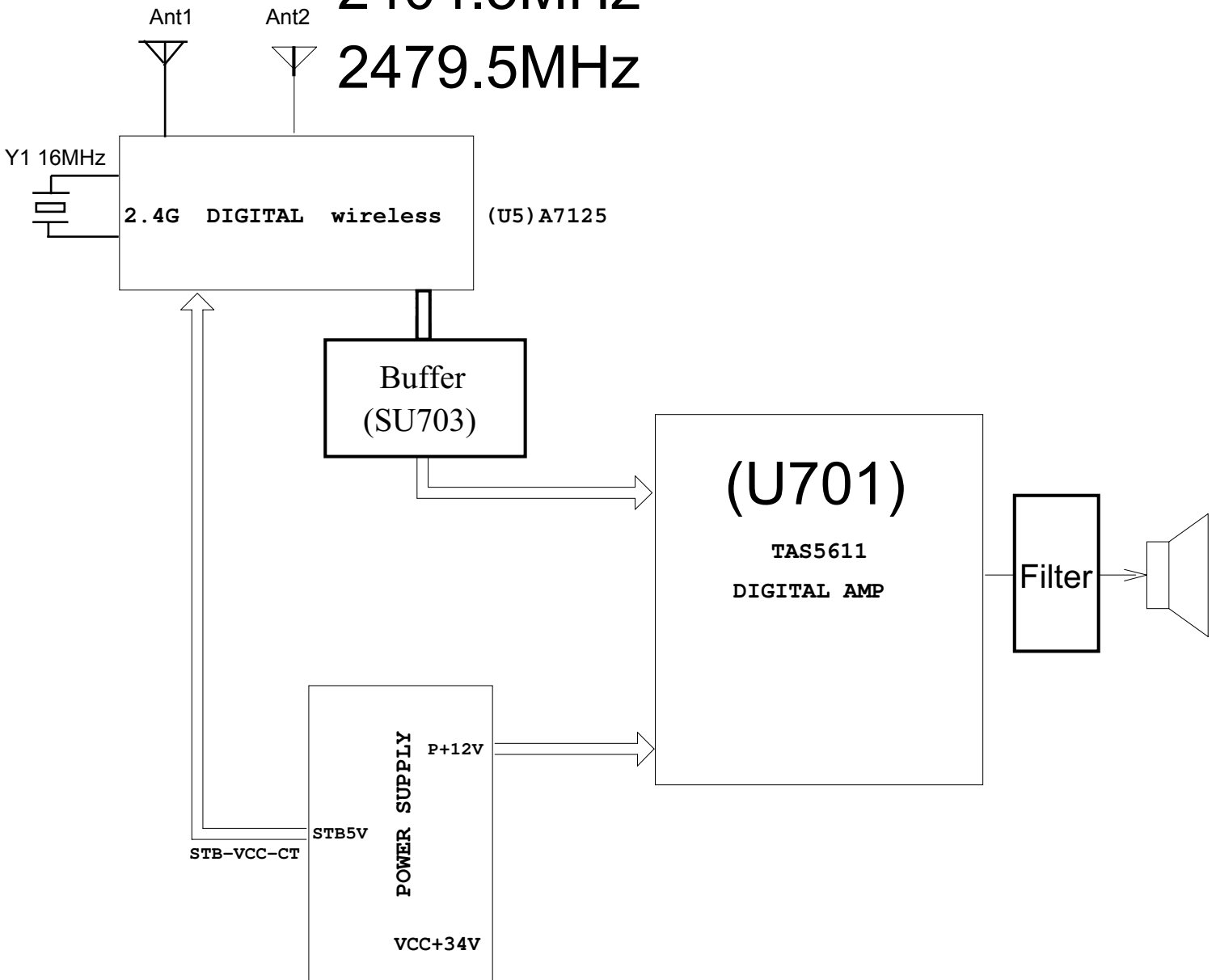


2404.5MHz -  
2479.5MHz



Block Diagram of Subwoofer

### 6. Block Diagram

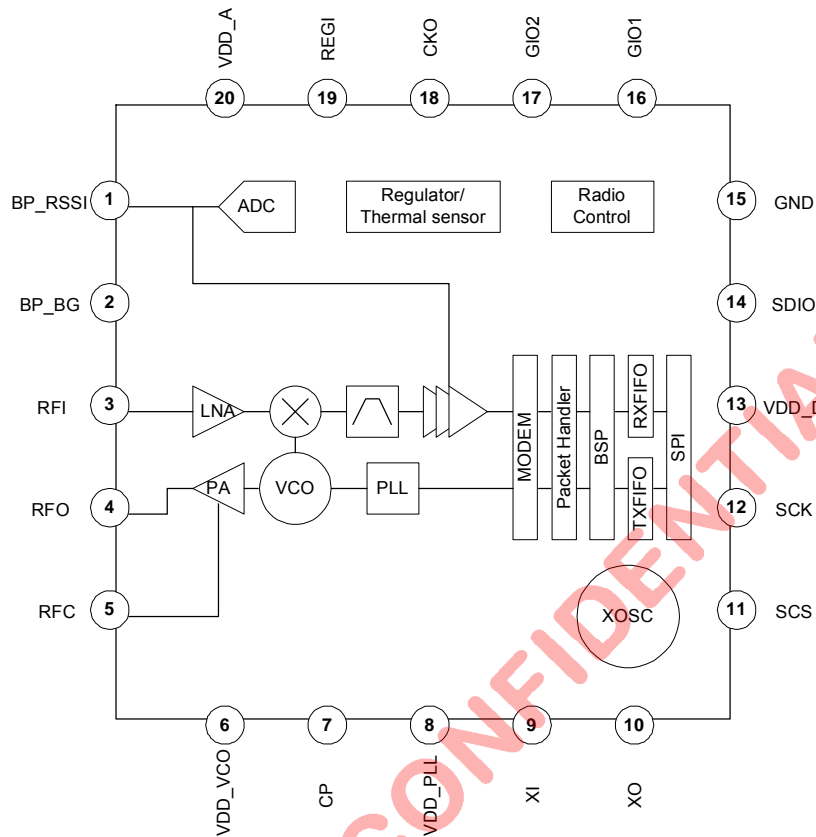


Figure 6.1 A7125 Block Diagram