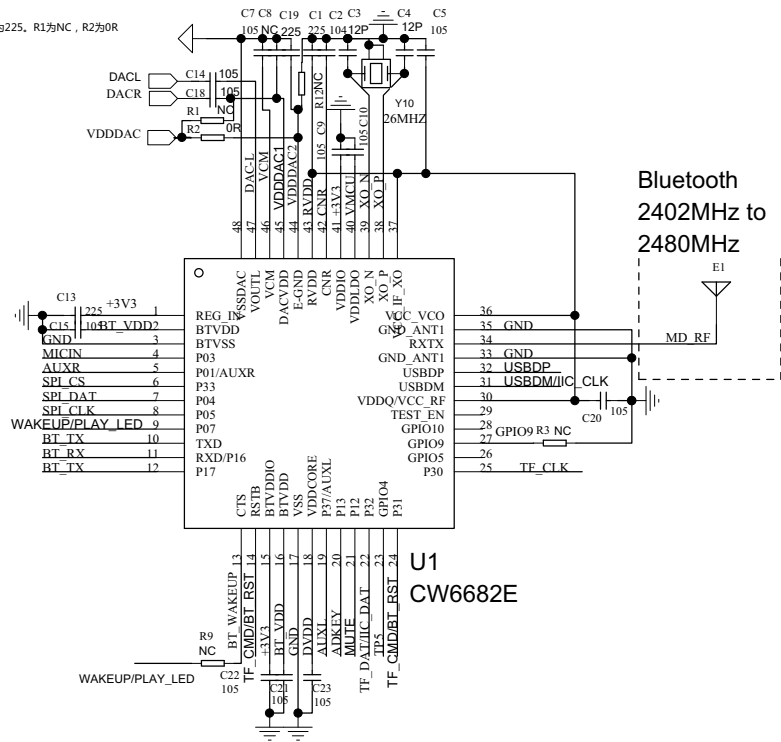
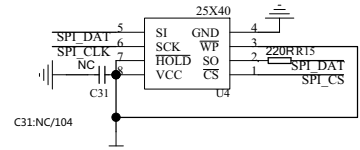


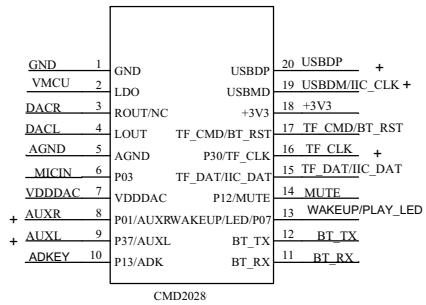
CW6682E时, R12为NC, C8为NC, C18为105, C19为225, R1为NC, R2为0R



Bluetooth  
2402MHz to  
2480MHz



CW6682E



功放电路

深圳市宸铭东电子科技有限公司

Project:		
Drawn by:	SCH. NO.:	Version: V1.2
Checked by:	PCB. NO.:	Sheet:
Approved by:	Date: 2014-08-19	Size: A3