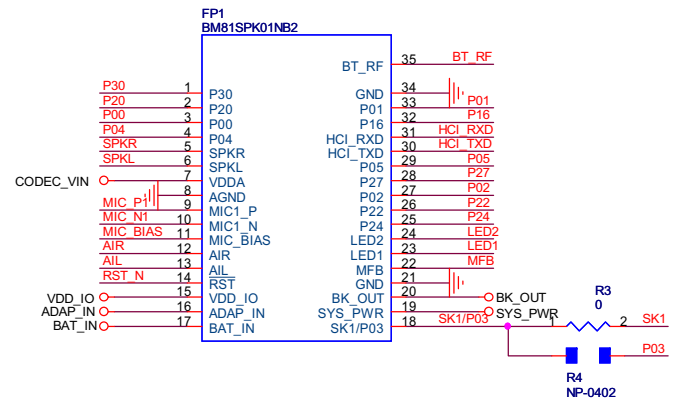


### PIN DEFINITION of Bluetooth module



### GPIO Description

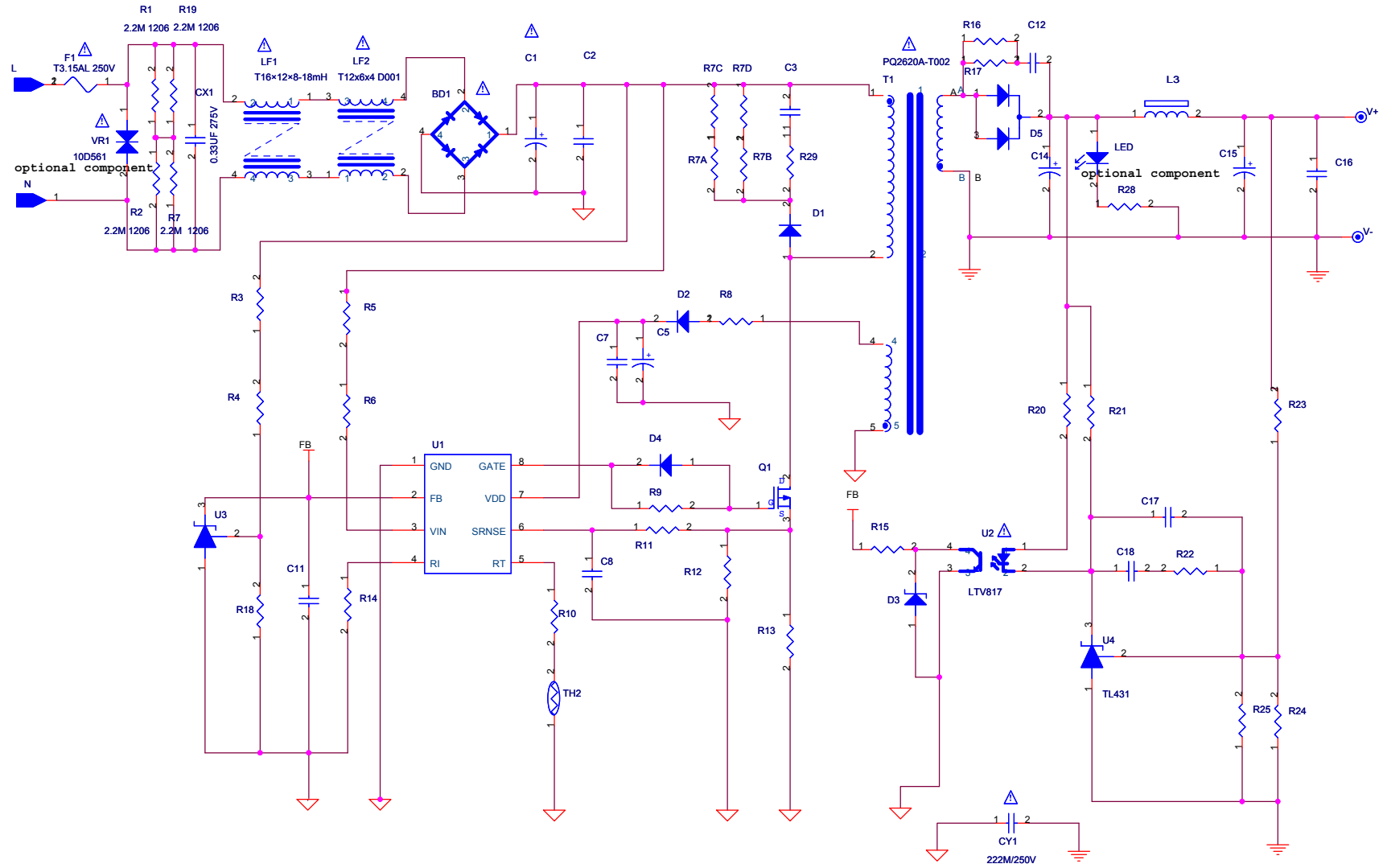
Pin	Description
P00	Slide Switch Detect/TX_IND
P01	Volume up
P02	Play/Pause
P03	RX_IND
P04	Audio AMP Enable
P05	REV
P16	Volume down
P20	System Configuration
P22	Keep alive for external LDO
P24	System Configuration
P27	FWD
P30	Line-in detect

BOM NAME	R3	R4	NOTE
BOM_BM81SPK01NB2_V1_20110809	0 OHM	NP	Pin 18 = SK1
BOM_BM81SPK01NB3_V1_20110809	NP	0 OHM	Pin 18 = P03

**ISSC Technologies Corp.**  
 ADD. 4F, No.8, Dusing Rd., Hsinchu Science Park, Hsinchu City 30078, Taiwan  
 TEL. 886-3-5778385

Board Name		BM81SPK01NB2 / BM81SPK01NB3	P/N
Size	Title	SCH_BM81SPK01NB2_V1_20110809	Rev V1
B		SCH_BM81SPK01NB3_V1_20110809	
Date:	Monday, November 07, 2011	Sheet	1 of 1

SCHEMATIC of AC/DC ADAPTOR



VER	REASON	BY	SIGNATURE	DATE	SHENZHEN ACT INDUSTRIAL CO.,LTD	
A/0	第一次发行	赖洪来	DESIGN : 赖洪来	20120605	MODEL : APS-A042XXXXYY#-G V0.1	
			APPROVED :		TITLE :	
					VER : A/0	PAGE : 1 OF 1