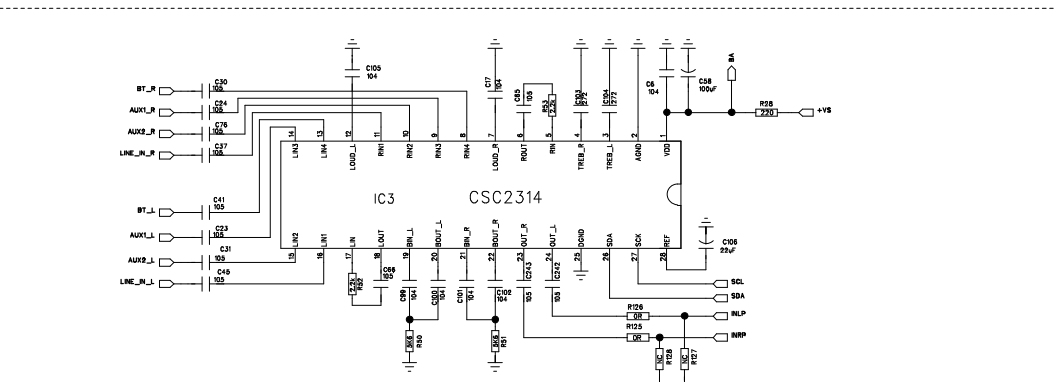
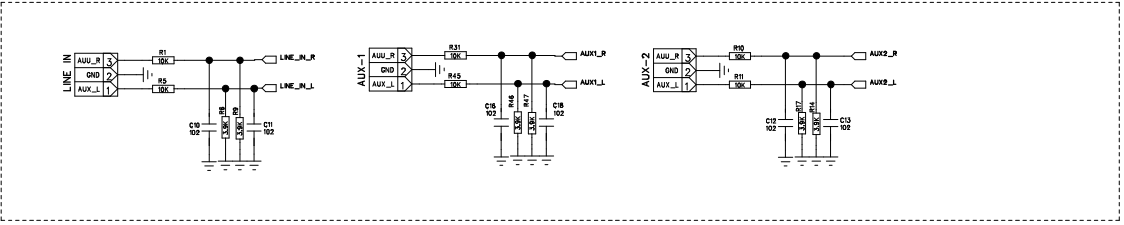
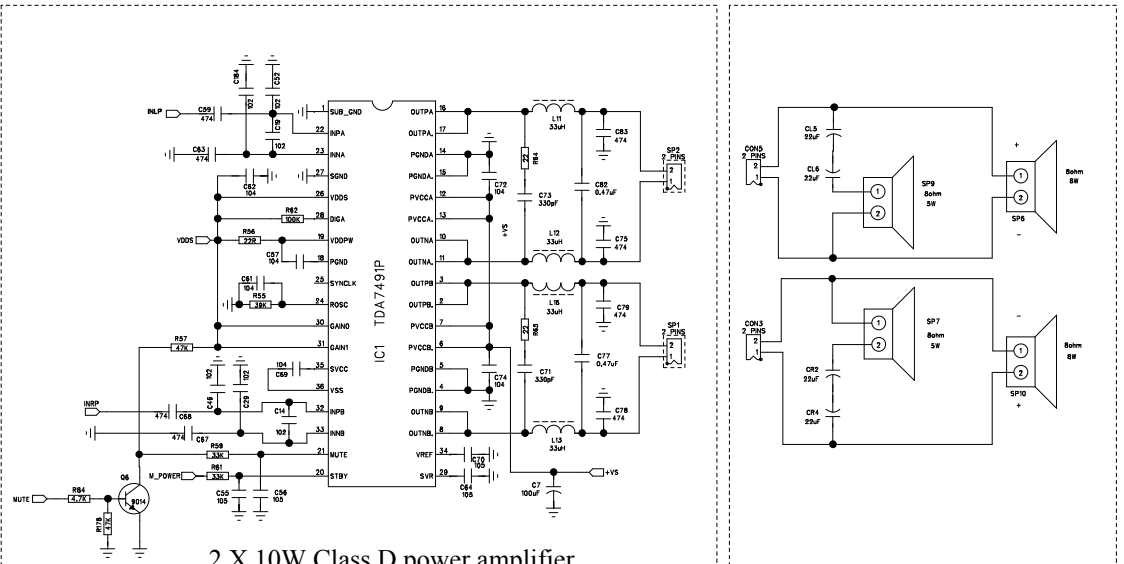


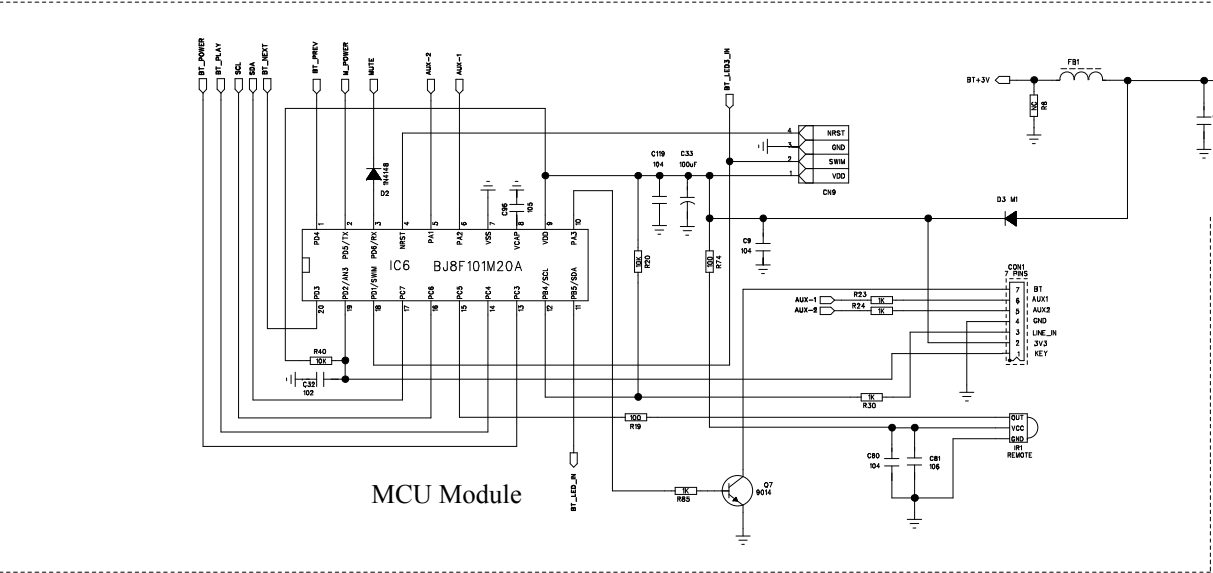
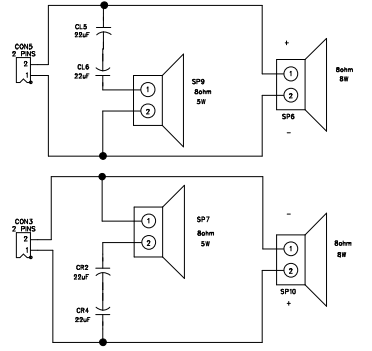
Bluetooth Module



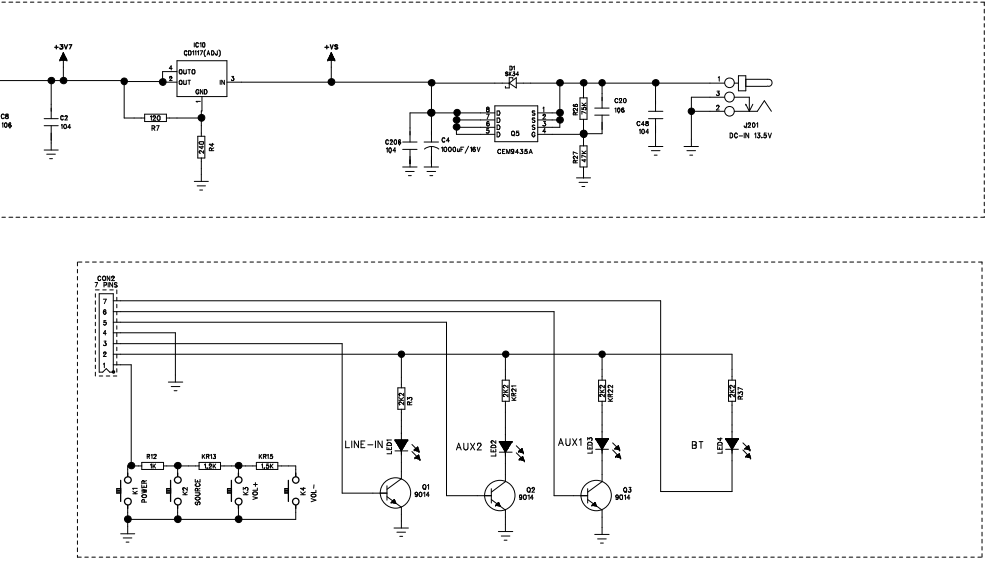
Pre-amp module with input selector/Treble/Bass/Volume



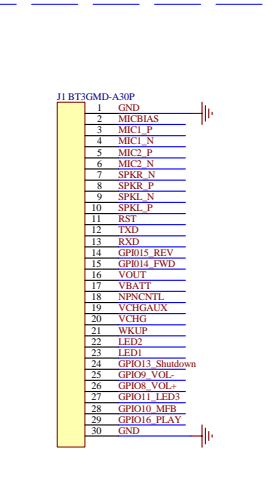
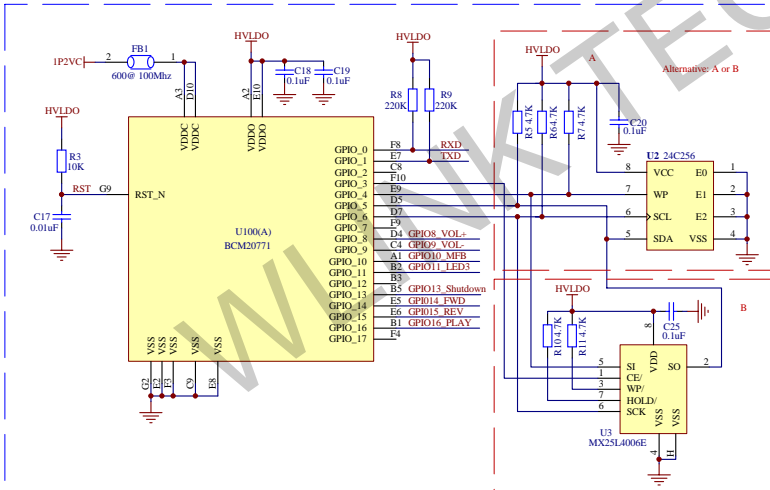
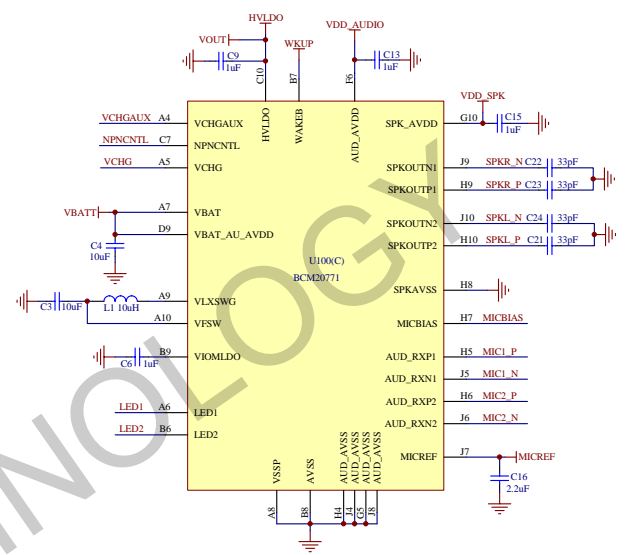
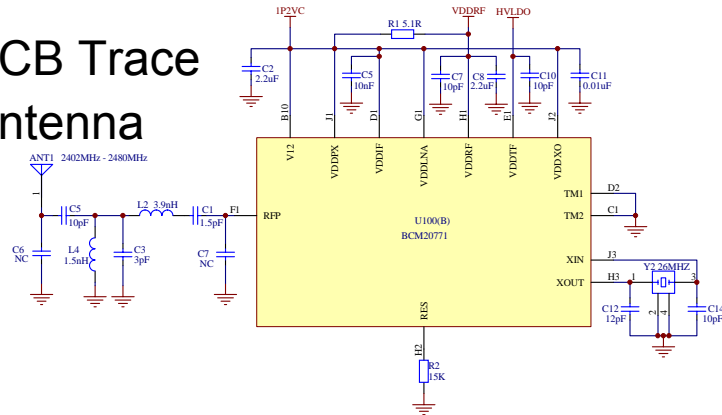
2 X 10W Class D power amplifier



MCU Module

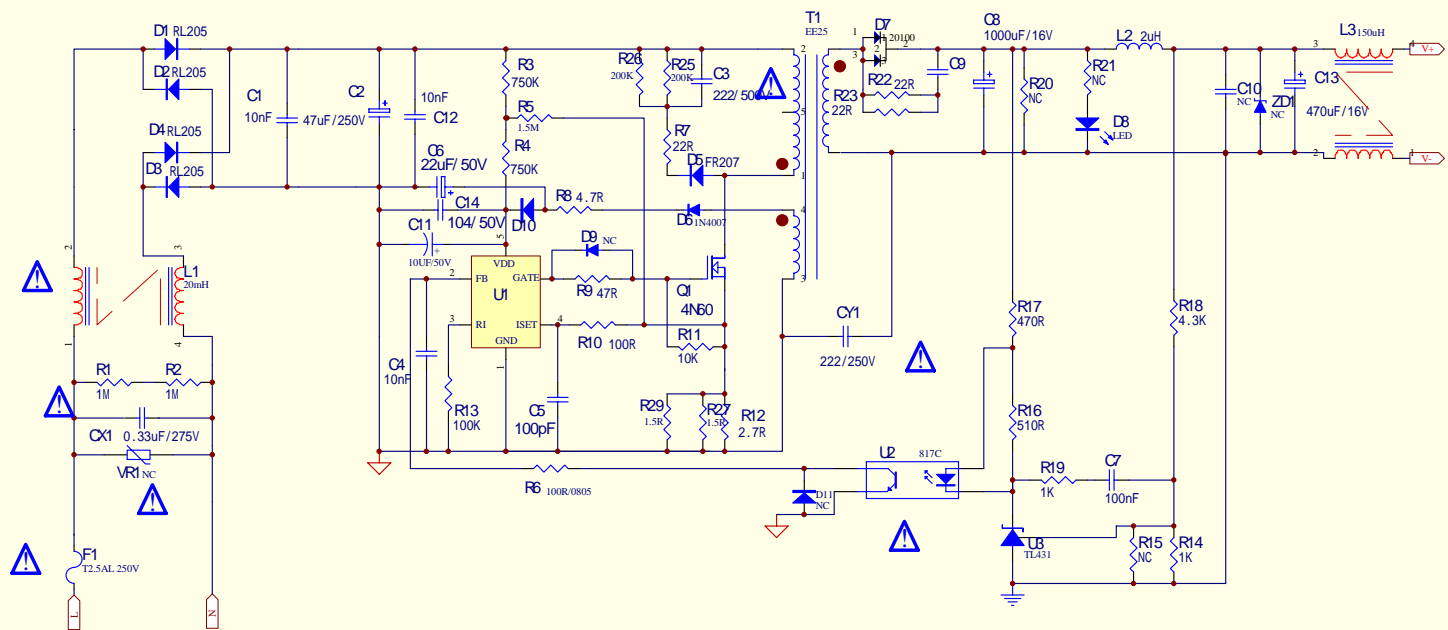


PCB Trace Antenna



Bluetooth Module

WLINK		Drawing by	Li Mei Hai
Product Name	BT3GMD-A30P		
Schematic Name	BT3GMD-A30P		
Revision	1.0	Page	1 of 1
Auditing by		Date	20120308
		Authorize by	



AC/DC Adaptor

VER	REASON	BY	SIGNATURE	DATE	SHENZHEN ACT INDUSTRIAL CO., LTD
A/0			DESIGN:		MODELAPS-A02413018L-G V0.1
			APPROVED:		TITLEAPS-A02413018L-G V0.1 -SCH-1
					VER: A/0 PAGE: 1 OF 1