

SBT17220B(20120612).sch-2 - Wed Jul 25 12:59:53 2012

NO	DATE	REVISE	NO	DATE	REVISE	NO	DATE	REVISE	NO	DATE	REVISE	NO	DATE	REVISE	NO	DATE	REVISE	NO	DATE	REVISE	NO	DATE	REVISE	CHECKED	DRAWN

COMPANY:	
TITLE:	
DWG NO:	FILE NAME:
MODEL:	SCALE:
SHEET:	SIZE:

The BT3GMD-A30P supports Bluetooth SIG-compliant wideband speech implementation to greatly enhance the audio quality with both PCs and cell phones.

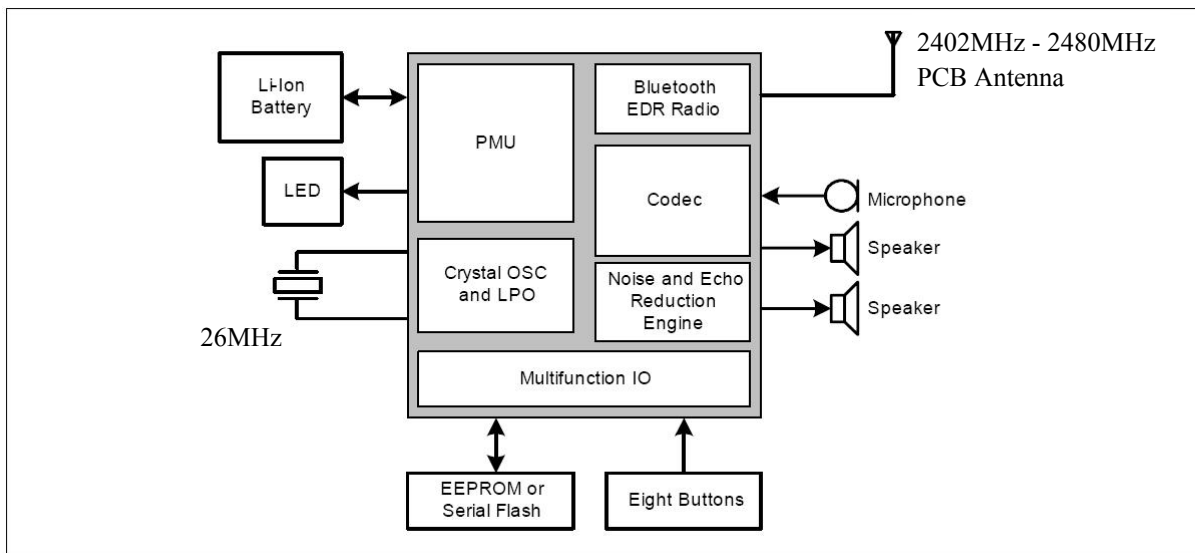
The BT3GMD-A30P supports the Bluetooth 3.0 standard, adding enhanced power control, simple and secure pairing, and enhanced inquiry response as value-added features for Bluetooth headsets. All major functional blocks required for a Bluetooth stereo headset, including switcher, charger, and stereo audio codec are

The module includes EEPROM, crystal, and PCB antenna.

**Applications:**

- High-End Stereo Wireless Headsets
- High-END Mono Headsets
- Hands-Free Car Kits
- Wireless Speakers

**Functional Block Diagram:**



**Figure 1: BT3GMD-A30P Block Diagram**