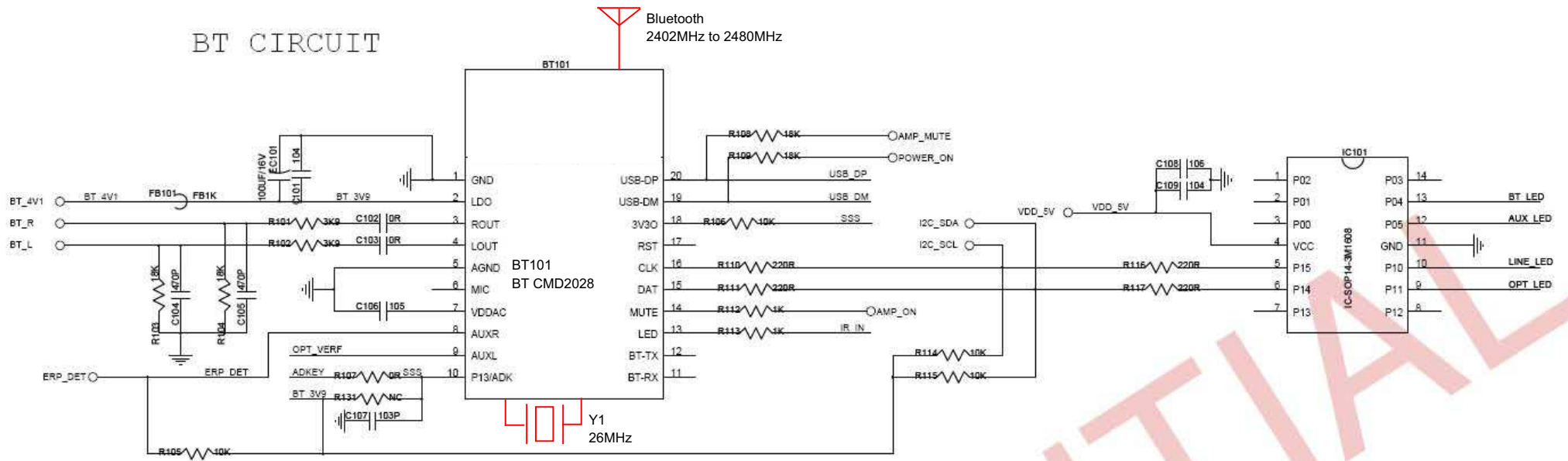
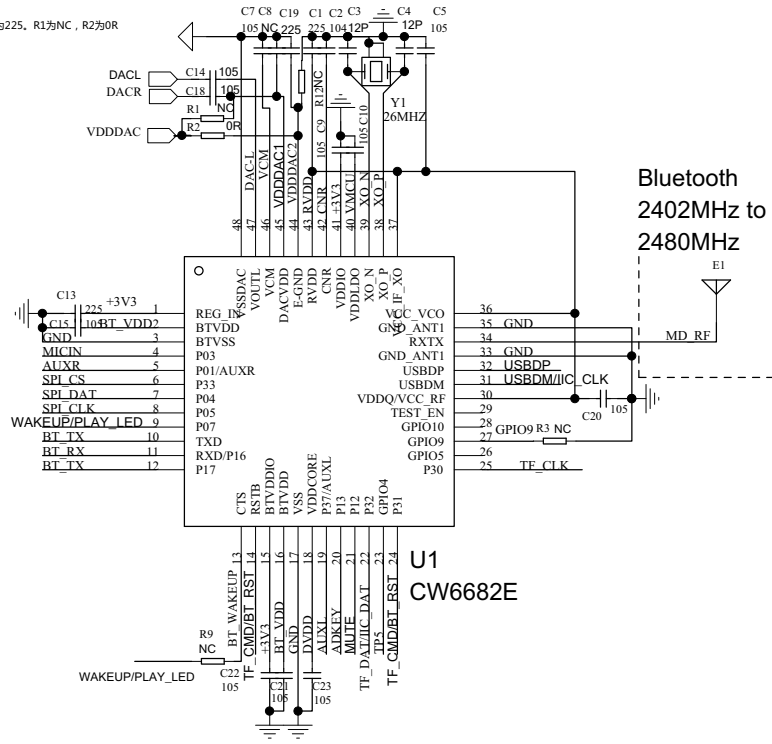


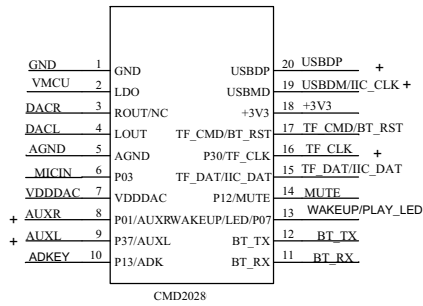
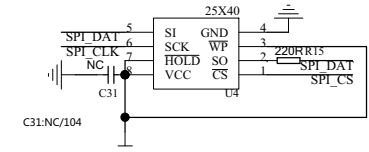
# BT CIRCUIT



CW6682E时, R12为NC, C8为NC, C18为105, C19为225, R1为NC, R2为0R



CW6682E

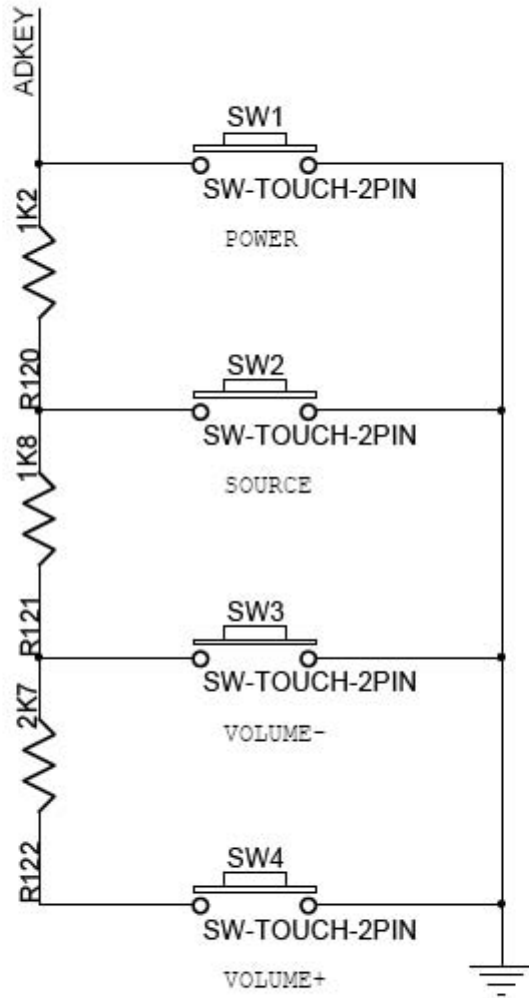


功放电路

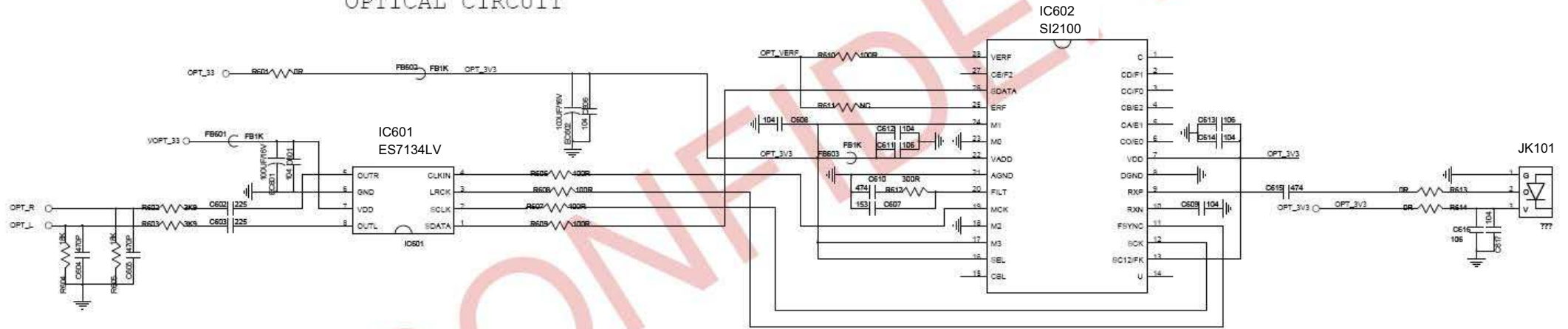
深圳市宸铭东电子科技有限公司

Project:		
Drawn by:	SCH. NO.:	Version: V1.2
Checked by:	PCB. NO.:	Sheet:
Approved by:	Date: 2014-08-19	Size: A3

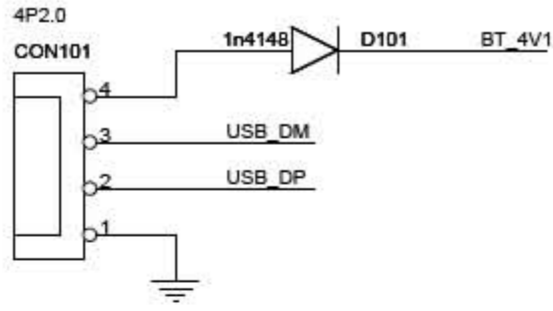
# KEY CIRCUIT



# OPTICAL CIRCUIT



# BT UPDATE



# REMOTE RECEIVER

