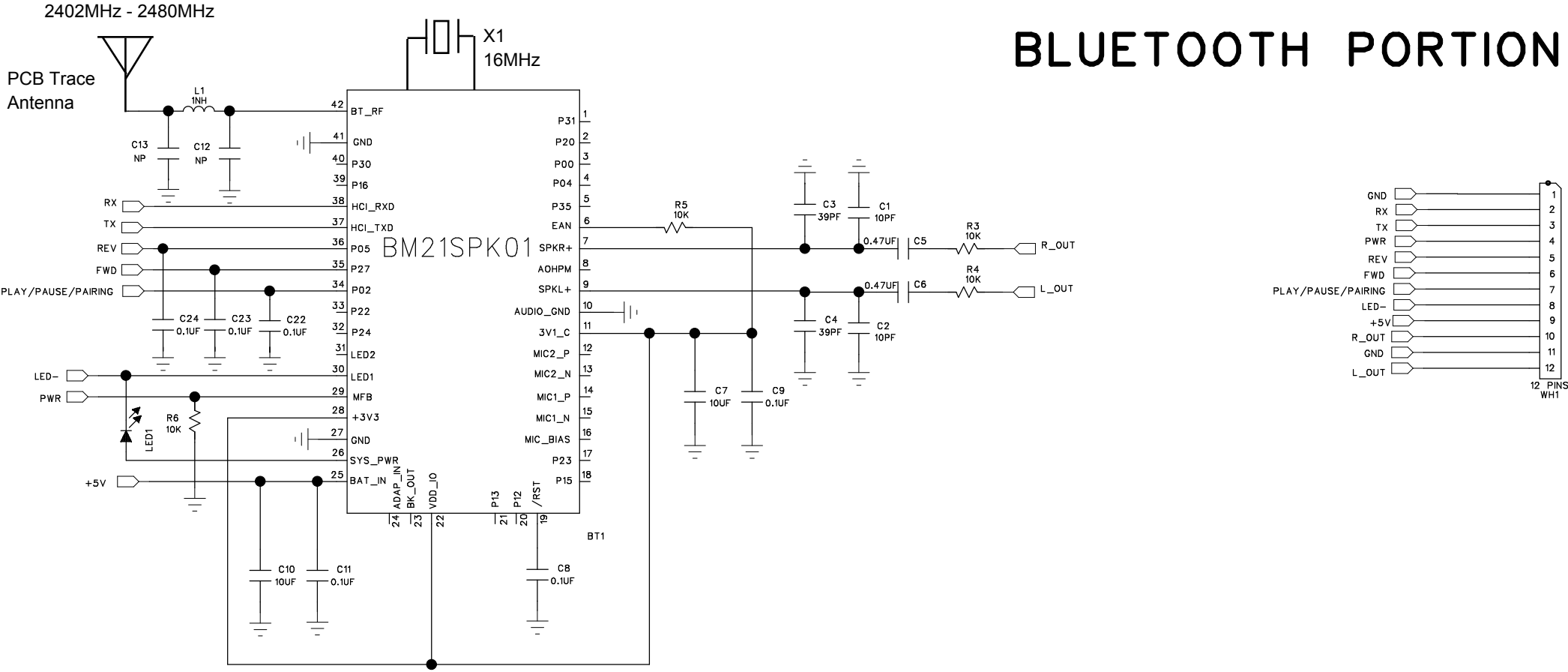
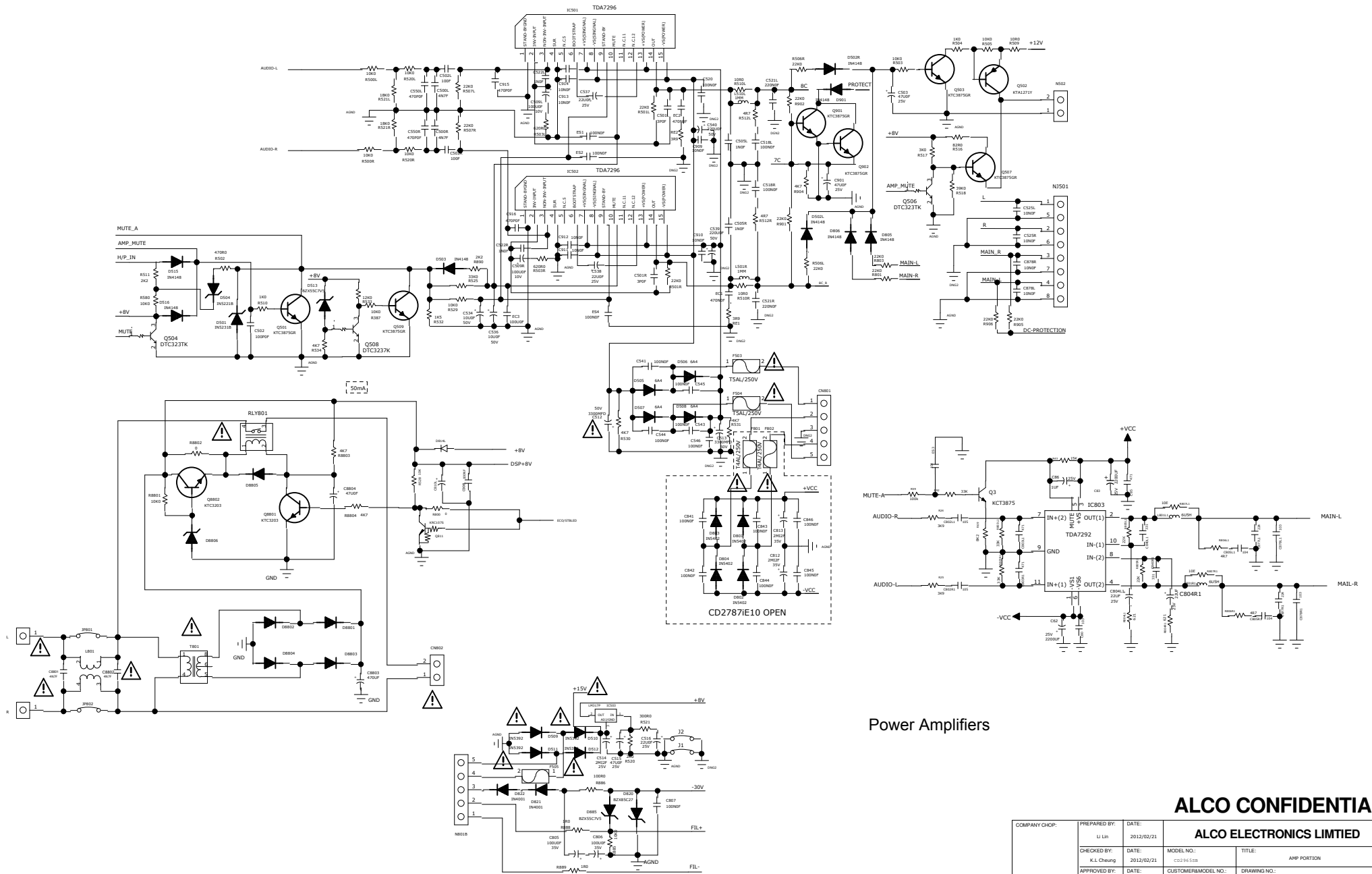


BLUETOOTH PORTION



ALCO CONFIDENTIAL

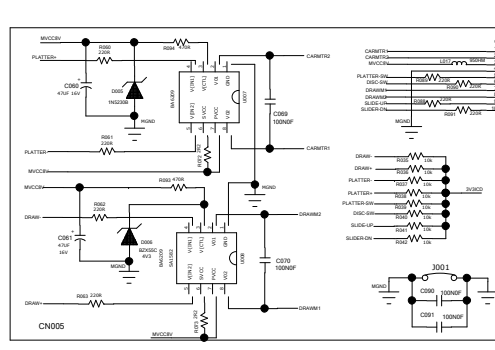
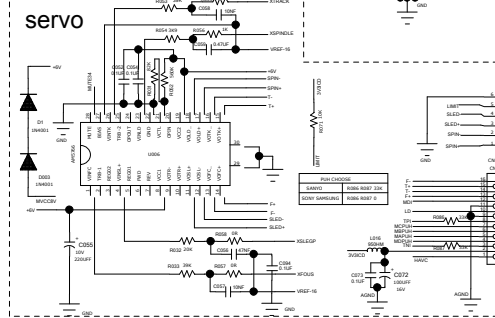
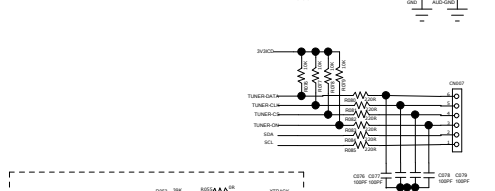
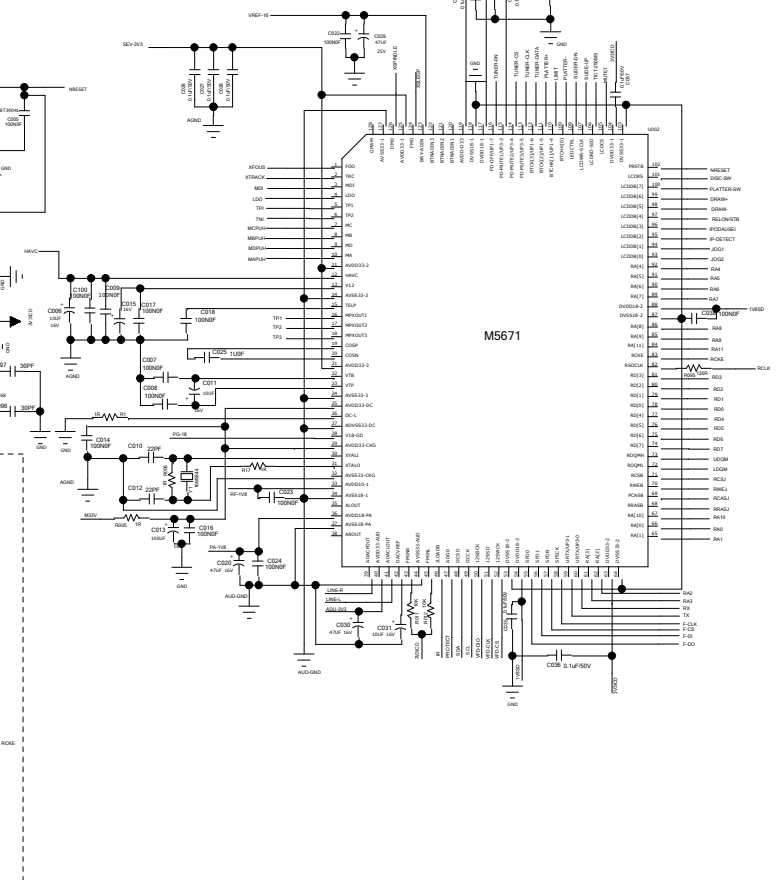
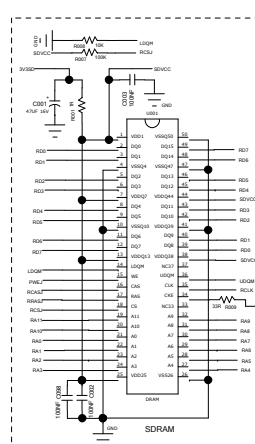
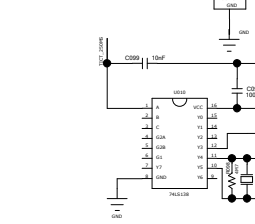
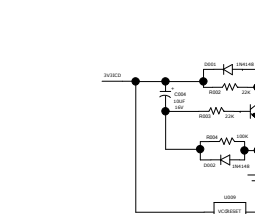
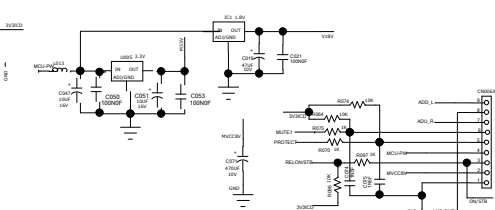
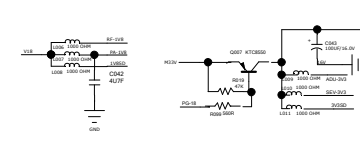
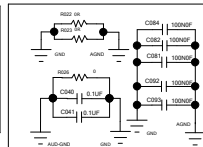
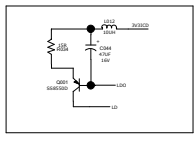
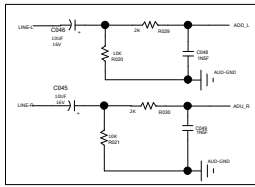
COMPANY CHOP:	PREPARED BY:	DATE:	ALCO ELECTRONICS LTMIED		
	Li Lin	2012/02/21	MODEL NO.:	TITLE:	REV:
	CHECKED BY:	DATE:	CD29655B	BLUE TOOTH	1
	K.L. Cheung	2012/02/21	CUSTOMER&MODEL NO.:	DRAWING NO.:	SIZE:
APPROVED BY:	DATE:	RS39655B	CD29655B BT PP120221A	A4	
W.H. Wong	2012/02/21	SHEET:	PRODUCT NAME:	SCALE:	
RELEASED DATE:		1/1	SPEAKER SYSTEM	1:1	



Power Amplifiers

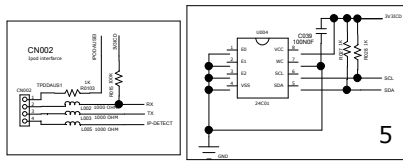
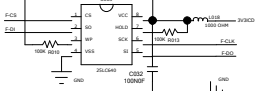
ALCO CONFIDENTIAL

COMPANY CHOP:		PREPARED BY:	DATE:	ALCO ELECTRONICS LIMITED		
		LJ Liu	2012/02/21	MODEL NO.:	TITLE:	REV:
		K.L. Cheung	2012/02/21	CD29655B	AMP PORTION	1
		W.H. Wong	2012/02/21	CUSTOMER/MODEL NO.:	DRAWING NO.:	SIZE:
				RS39655B	CD29655B MAIN PP120221A	A4
		RELEASED DATE:	SHEET:	PRODUCT NAME:		SCALE:
			2/3	SPEAKER SYSTEM		1:1



	LCM IS LOW	LCM IS HIGH
RAB	ACTIVE	ACTIVE
	1	0

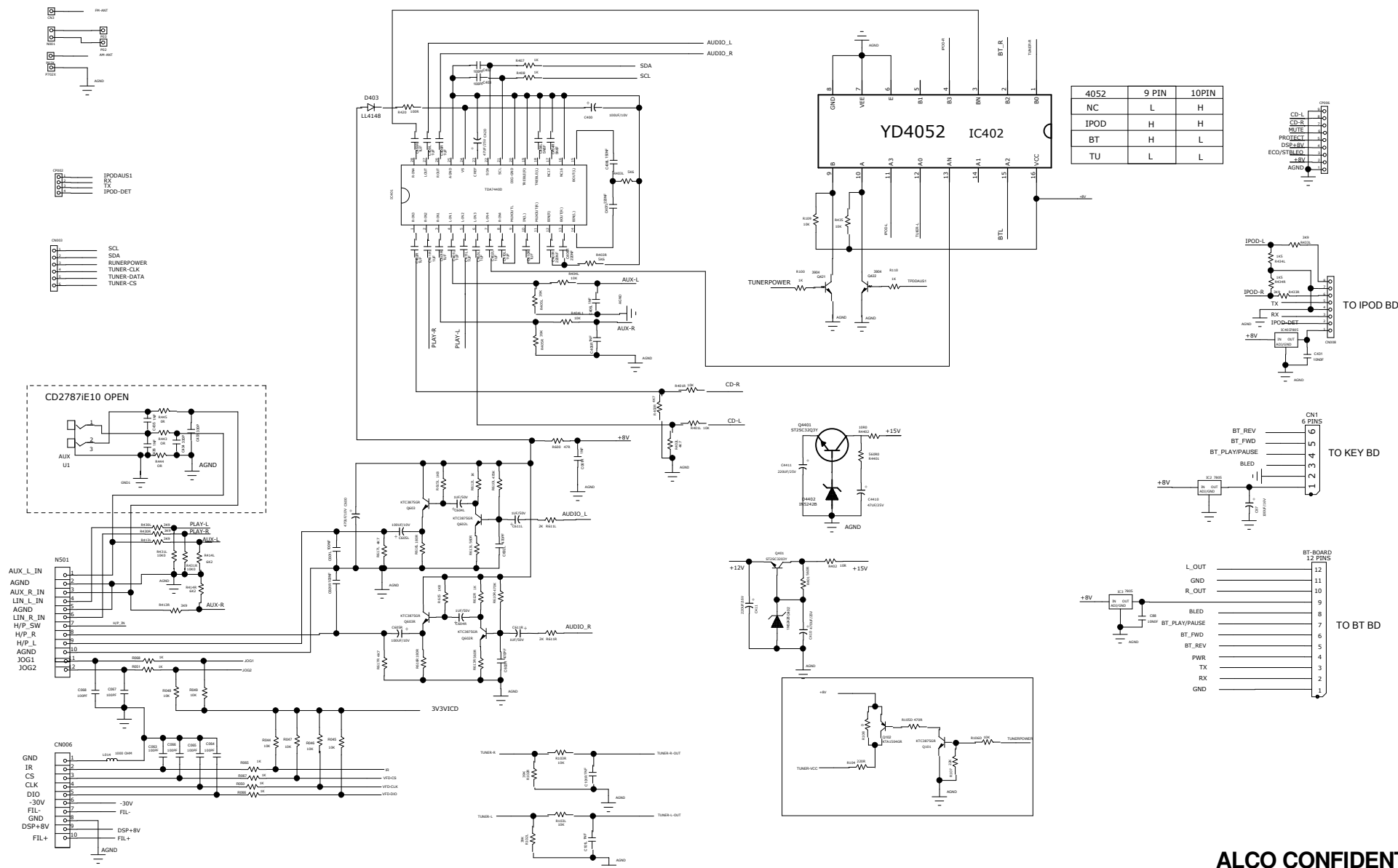
INTERNAL MODE	
Bank	MS
Internal Bank only (default)	1 1
External Bank only	1 0
Both Internal and External Bank	0 1
External Bank only	0 0



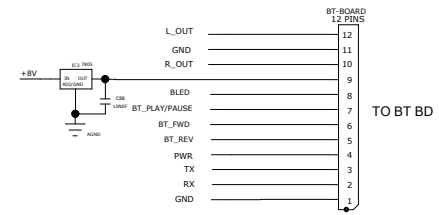
DSP Portion

ALCO CONFIDENTIAL

COMPANY CHOP:		PREPARED BY:	DATE:	ALCO ELECTRONICS LIMITED		
		LI Lin	2012/02/21	MODEL NO.:	TITLE:	REV
		CHECKED BY:	DATE:	CD29655B		1
		K.L. Cheung	2012/02/21	CUSTOMER/MODEL NO.:	DRAWING NO.:	A4
		APPROVED BY:	DATE:	R39655B	CD29655B MAIN PP120221A	SCALE:
		W.H. Wong	2012/02/21	SHEET:	PRODUCT NAME:	1/1
		RELEASED DATE:		3/3	SPEAKER SYSTEM	



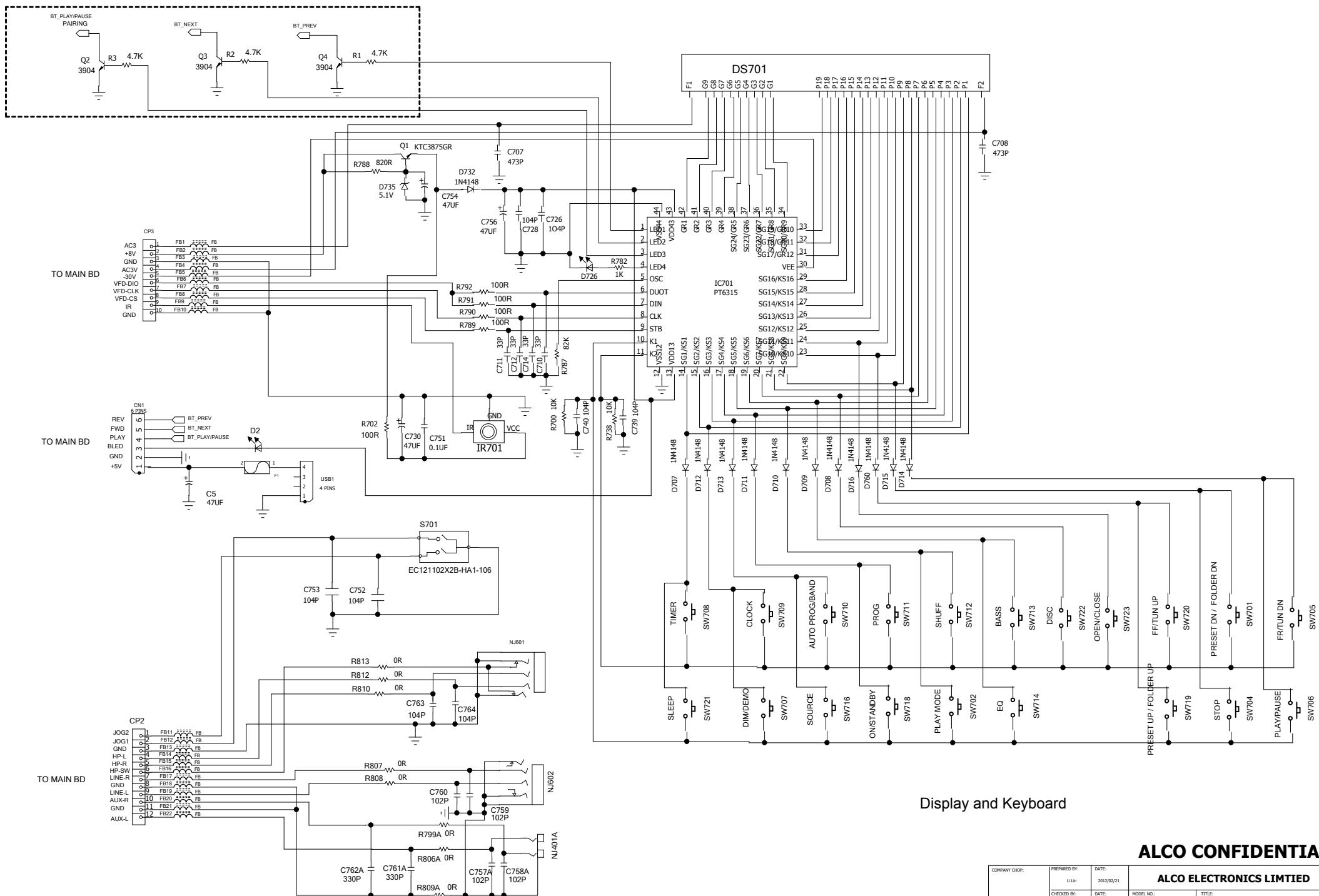
4052	9 PIN	10PIN
NC	L	H
IPOD	H	H
BT	H	L
TU	L	L



ALCO CONFIDENTIAL

Channel Select / EQ / Volume Portion

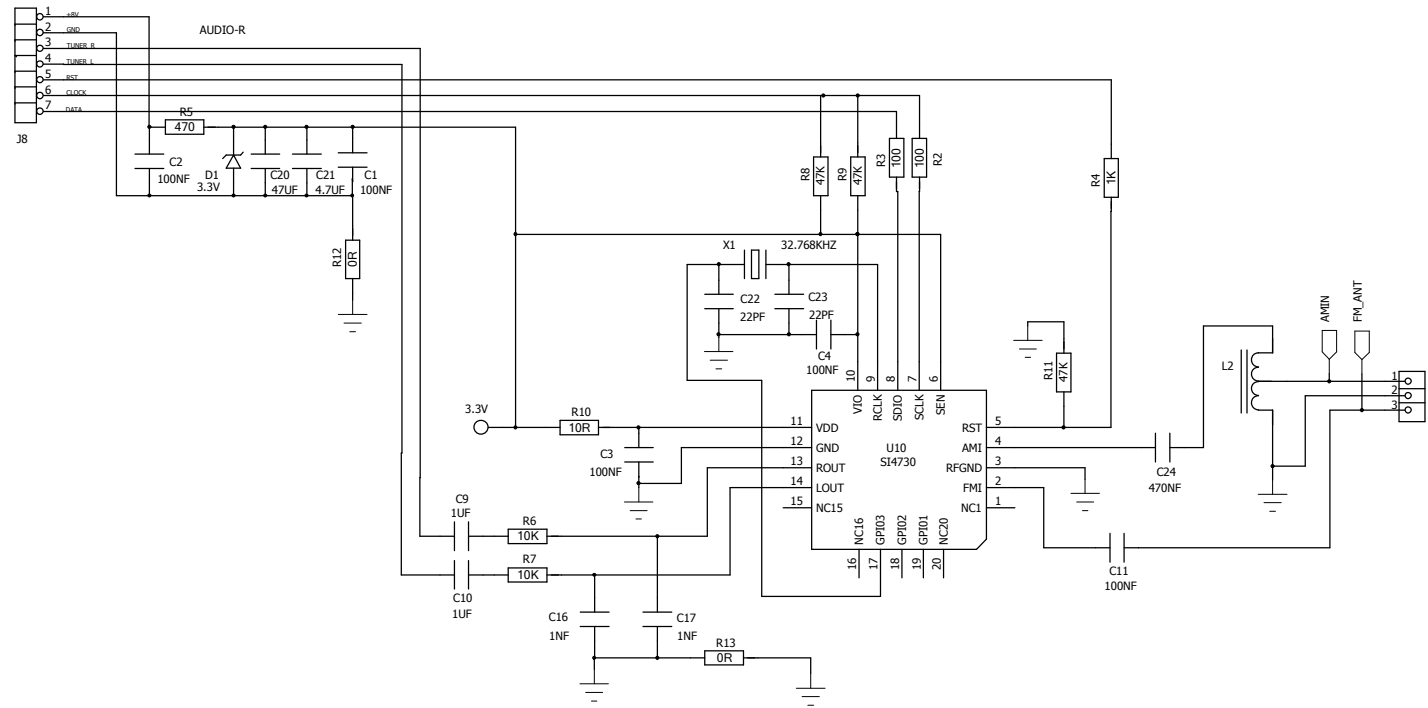
COMPANY CHOP:		PREPARED BY:	DATE:	ALCO ELECTRONICS LIMITED		
		U Lin	2012/02/21	AUDIO PORTION		
CHECKED BY:	DATE:	MODEL NO.:	TITLE:	REV:		
K.L. Cheung	2012/02/21	CD29655B	CD29655B MAIN PP120221A	1	A4	
APPROVED BY:	DATE:	CUSTOMER/MODEL NO.:	DRAWING NO.:	SIZE:		
W.H. Wong	2012/02/21	RS39655B	CD29655B MAIN PP120221A	A4		
RELEASED DATE:	SHEET:	PRODUCT NAME:	SCALE:			
	1/3	SPEAKER SYSTEM	1:1			



Display and Keyboard


ALCO CONFIDENTIAL

COMPANY CHIP:	PREPARED BY:	DATE:	ALCO ELECTRONICS LIMITED	
	U Lin	2012/02/21	MODEL NO.:	REV: 1
	CHECKED BY:	DATE:	CUSTOMER MODEL NO.:	TITLE: DISPLAY KEY PORTION
	K.L. Cheung	2012/02/21	R39655B	SIZE: A4
	APPROVED BY:	DATE:	CUSTOMER MODEL NO.:	DRAWING NO.: CD29655B KEY PP120221A
W.H. Wong	2012/02/21	R39655B	SCALE: 1:1	
RELEASED DATE:	SHEET:	PRODUCT NAME:	SPEAKER SYSTEM	
	1/1			

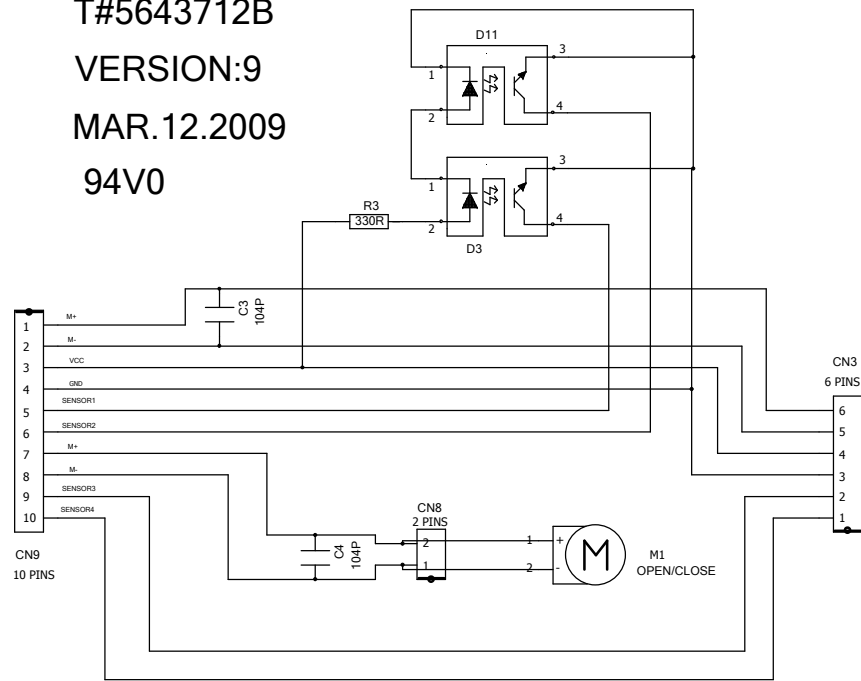


Tuner Portion

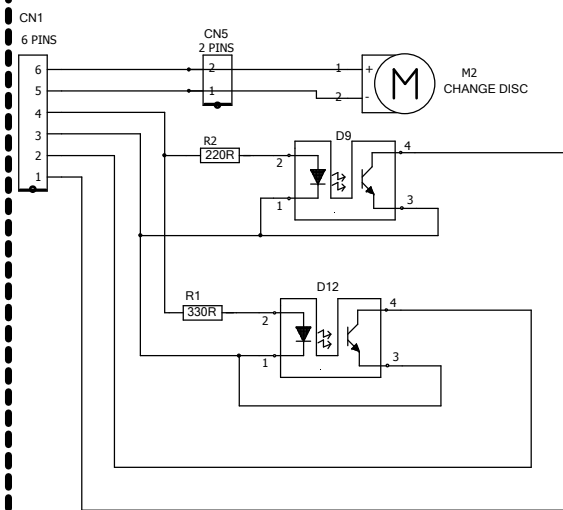
ALCO CONFIDENTIAL

COMPANY CHOP: 	PREPARED BY: Li Lin	DATE: 2012/02/21	ALCO ELECTRONICS LMITIED		
	CHECKED BY: K.L. Cheung	DATE: 2012/02/21	MODEL NO.: CD2965SB	TITLE: DISPLAY TUNER PORTION	REV: 1
	APPROVED BY: W.H. Wong	DATE: 2012/02/21	CUSTOMER&MODEL NO.: RS3965SB	DRAWING NO.: CD2965SB TUNER MP120305A	SIZE: A4
	RELEASED DATE:	SHEET: 1/1	PRODUCT NAME: SPEAKER SYSTEM	SCALE: 1:1	

SENSOR BD 2
 T#5643712B
 VERSION:9
 MAR.12.2009
 94V0




SENSOR BD 1
 T#5643712C
 RS2663
 VERSION:8
 JUL.08.2007
 94V0



Optical Sensor and Motor of 5 CD changer

ALCO CONFIDENTIAL

COMPANY CHOP: 	PREPARED BY: Li Lin	DATE: 2012/02/21	ALCO ELECTRONICS LIMITED		
	CHECKED BY: K.L. Cheung	DATE: 2012/02/21	MODEL NO.: CD2965SB	TITLE: CD CHANGER PORTION	REV: 1
	APPROVED BY: W.H. Wong	DATE: 2012/02/21	CUSTOMER&MODEL NO.: RS3965SB	DRAWING NO.: CD2965SB CD CHANGER MP120305A	SIZE: A4
	RELEASED DATE:		SHEET: 1/1	PRODUCT NAME: SPEAKER SYSTEM	SCALE: 1/1