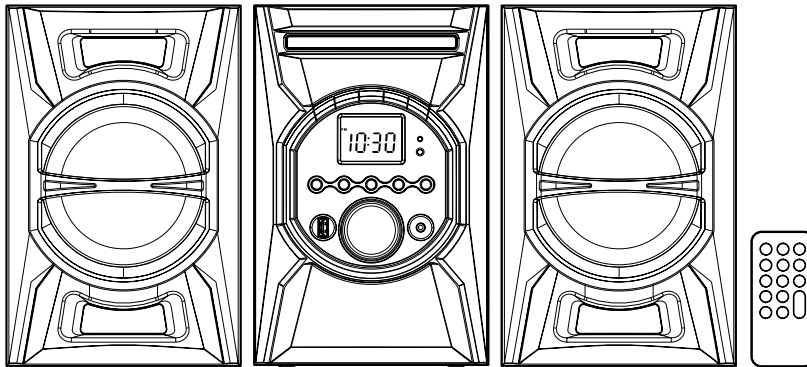


## RS3697BL



English (EN)

Español (E)

Français (F)



Scan for more user manual details

Lea para obtener más detalles sobre el manual del usuario

Scanner pour détails supplémentaires indiqués dans le manuel d'utilisation

**CAUTION**  
INVISIBLE LASER RADIATION  
WHEN OPEN AND INTERLOCKS DEFEATED.  
AVOID EXPOSURE TO BEAM.

**PRECAUCIÓN**  
RADIACIÓN LÁSER INVISIBLE EN CASO DE  
APERTURA Y DESBLOQUEO DE CIERRE.  
EVITE CUALQUIER EXPOSICIÓN AL RAYO.

**MISE EN GARDE**  
RADIATION LASER INVISIBLE, SI L'APPAREIL  
EST OUVERT ET SI LE DISPOSITIF DE  
VERROUILLAGE EST NEUTRALISÉ.ÉVITER  
L'EXPOSITION AU FAISCEAU LASER.

**CLASS 1 LASER PRODUCT**  
**PRODUCTO LÁSER CLASE 1**  
**APPAREIL À LASER DE CLASSE 1**



This product contains a low power laser device.

Este producto contiene un dispositivo láser de baja potencia.

Cet appareil contient un dispositif à laser de faible puissance.



Double insulation when servicing use only identical replacement parts.

Doble aislamiento. Al reparar sólo use piezas idénticas de repuesto.

Double isolation; en cas de réparation, utilisez seulement des pièces de rechange identiques

It's important to read this User Manual prior to using your new product for the first time.

Es importante leer este manual antes de usar por vez primera su equipo.

Il est important de lire ce manuel d'utilisation avant l'utilisation initiale de ce nouveau produit.

# SAFETY PRECAUTIONS



## WARNING:

- TO PREVENT FIRE OR SHOCK HAZARD, DO NOT EXPOSE THE UNIT TO RAIN OR MOISTURE.
- TO AVOID ELECTRICAL SHOCK, DO NOT OPEN THE CABINET. REFER SERVICING TO QUALIFIED PERSONNEL ONLY.
- THE APPARATUS SHALL NOT BE EXPOSED TO DRIPPING OR SPLASHING AND THAT NO OBJECTS FILLED WITH LIQUID, SUCH AS VASES, SHALL BE PLACED ON THE APPARATUS.

## FCC STATEMENTS

This device complies with Part 15 of the FCC Rules. Operation is subject to the following two conditions: (1) This device may not cause harmful interference, and (2) This device must accept any interference received, including interference that may cause undesired operation.

This equipment has been tested and found to comply with the limits for a Class B digital device, pursuant to Part 15 of the FCC Rules. These limits are designed to provide reasonable protection against harmful interference in a residential installation. This equipment generates, uses and can radiate radio frequency energy and, if not installed and used in accordance with the instructions, may cause harmful interference to radio communications. However, there is no guarantee that interference will not occur in a particular installation. If this equipment does cause harmful interference to radio or television reception, which can be determined by turning the equipment off and on, the user is encouraged to try to correct the interference by one or more of the following measures:

- Reorient or relocate the receiving antenna.
- Increase the separation between the equipment and receiver.
- Connect the equipment into an outlet on a circuit different from that to which the receiver is connected.
- Consult the dealer or an experienced radio/TV technician for help.

**WARNING:** Changes or modifications not expressly approved by the party responsible for compliance could void the user's authority to operate the equipment.

## For Customers in Canada

This device complies with Industry Canada License-exempt RSS-210. Operation is subject to the following two conditions: (1) this device may not cause interference, and (2) this device must accept any interference, including interference that may cause undesired operation of the device. This apparatus complies with the Class B limits for radio noise emission set out in radio interference regulations.


## FCC RF Radiation Exposure Statement


Caution: To maintain compliance with the FCC's RF exposure guidelines, place the CD Audio System at least 20cm from nearby persons.

CAN ICES-3 (B) / NMB-3 (B)

## Warnings:

- The AC power plug is used as disconnect device and it should remain readily operable during intended use. In order to disconnect the apparatus from the mains completely, the AC power plug should be disconnected from the mains socket outlet completely.
- The mains plug of apparatus should not be obstructed OR should be easily accessed during intended use.
- Minimum 10 cm (4 inches) distances around the apparatus for sufficient ventilations.
- The ventilation should not be impeded by covering the

 The lightning flash with arrowhead symbol, within an equilateral triangle, is intended to alert the user to the presence of uninsulated "dangerous voltage" within the product's enclosure that may be of sufficient magnitude to constitute a risk of electric shock to persons.

 The exclamation point within an equilateral triangle is intended to alert the user to the presence of important operating and maintenance (servicing) instructions in the literature accompanying the appliance.

ventilation openings with items such as newspaper, tablecloths, curtains, etc.

- No naked flame sources such as lighted candles should be placed on the apparatus.

## On Safety

As the laser beam used in this compact disc player could be harmful to the eyes, do not attempt to disassemble the casing. Refer servicing to qualified personnel only.

- Do not put any foreign objects in the disc compartment. If you do so, the laser beam interlock may be defeated allowing the laser to remain on when the lid is opened.
- Should any objects or liquids fall into the unit, disconnect the power supply and have the unit checked by qualified personnel before any further operation.

## On Operation

Since the CD system offers a wide dynamic range, the peaks of the high level inputs are recorded with high fidelity, and the noise level is very low. Do not turn up the volume while listening to a part of the disc with no audio signals or very low level inputs. If you do so, the speakers may be damaged when the peak level of the sound is played. The lens of the laser should be kept clean. Do not touch the lens. If you do so, the lens may be damaged and the unit will not operate correctly.

## On Use

Never use the unit where it would be subject to:

- Heat sources such as radiators or air ducts.
- Direct sunlight.
- Excessive dust.
- Moisture or rain.
- Mechanical vibration or shock.
- Uneven surface.
- Do not place any heavy objects on top of the unit.
- When the unit is used with an AC power plug, do not wrap the unit in a cloth, blanket, etc. If you do so, the temperature inside and outside the unit may rise considerably, resulting in malfunctioning of the unit.
- If the unit is brought directly from a cold to a warm location, or is placed in a very damp room, the moisture may condense on the lens inside the unit. Should this occur, the unit will not operate. In this case, remove the disc and leave the unit in a warm place for several hours until the moisture evaporates.
- For the unit to operate at its best, it should not be subject to temperatures below 41°F (5°C) or above 95°F (35°C).

## Additional safety information

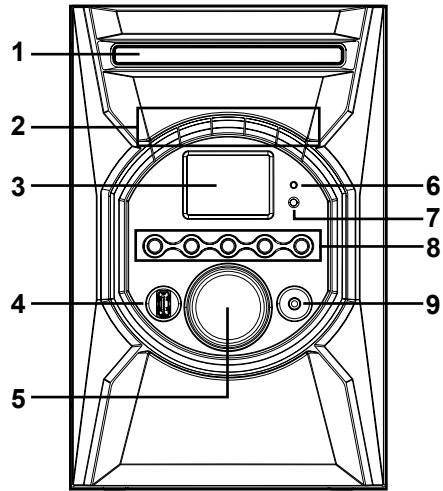
- Apparatus shall not be exposed to dripping or splashing and no objects filled with liquids, such as vases, shall be placed on the apparatus.
- Always leave sufficient space around the product for ventilation. Do not place product in or on a bed, rug, in a bookcase or cabinet that may prevent air flow through vent openings.
- Do not place lighted candles, cigarettes, cigars, etc. on the product.
- Connect power plug only to AC power source as marked on the product.
- Care should be taken so that objects do not fall into the product.
- Do not attempt to disassemble the cabinet. This product does not contain customer serviceable components.

# IMPORTANT SAFETY INSTRUCTIONS

1. Read these instructions.
2. Keep these instructions.
3. Heed all warnings.
4. Follow all instructions.
5. Do not use this apparatus near water.
6. Clean only with dry cloth.
7. Do not block any ventilation openings. Install in accordance with the manufacturer's instructions.
8. Do not install near any heat sources such as radiators, heat registers, stoves, or other apparatus (including amplifiers) that produce heat.
9. Do not defeat the safety purpose of the polarized or grounding-type plug. A polarized plug has two blades with one wider than the other. A grounding type plug has two blades and a third grounding prong. The wide blade or the third prong are provided for your safety. If the provided plug does not fit into your outlet, consult an electrician for replacement of the obsolete outlet.
10. Protect the power plug from being walked on or pinched particularly at plugs, convenience receptacles, and the point where they exit from the apparatus.
11. Only use attachments/accessories specified by the manufacturer.
12. Use only with a cart, stand, tripod, bracket, or table specified by the manufacturer, or sold with the apparatus. When a cart is used, use caution when moving the cart/apparatus combination to avoid injury from tip-over.
 

Portable Cart Warning
13. Unplug this apparatus during lightening storms or when unused for a long period of time.
14. Refer all servicing to qualified service personnel. Servicing is required when the apparatus has been damaged in any way, such as the power-supply cord or plug is damaged, liquid has spilled or objects have fallen into the apparatus, the apparatus has been exposed to rain or moisture, does not operate normally, or has been dropped.

## LOCATION OF CONTROLS



EN

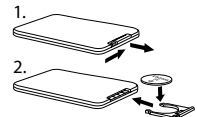
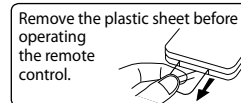
- |                       |                         |
|-----------------------|-------------------------|
| 1. CD Door            | 5. VOLUME control       |
| 2. ◀◀ / TUNE - button | 6. Bluetooth® indicator |
| ▶▶ / TUNE + button    | 7. Remote sensor        |
| ▶▶▶ PLAY/PAIR button  | 8. ⏻ STANDBY/ON button  |
| ■ STOP button         | ☀️ / PRESET EQ button   |
| ▲ OPEN / CLOSE button | ↺ / MEM.UP button       |
| 3. LCD DISPLAY        | ⌚ PROG/MEM button       |
| 4. USB port           | 📺 SOURCE button         |
| (for charging only)   | 9. Line in jack         |

## REMOTE CONTROL

- 
1. ⏻ STANDBY/ON button
  2. SLEEP button
  3. ⌚ / PROG/MEM button
  4. RANDOM button
  5. ↺ / MEM.UP button
  6. ■ STOP button
  7. ☀️ / PRESET EQ button
  8. TIMER button
  9. SOURCE button
  10. PAIR button
  11. ◀◀ / ▶▶ / TUNE - / + button
  12. VOLUME +/- buttons
  13. ▶▶▶ PLAY/PAUSE button

### BATTERY REPLACEMENT

When the battery becomes weak, the operating distance of the remote control is greatly reduced and you will need to replace it.



**NOTE :** If the remote control is not going to be used for a long time, remove the battery to avoid damage caused by battery leakage corrosion.

**WARNING :** Do not dispose of battery in fire; battery may explode or leak.

Batteries should not be exposed to excessive heat such as sunshine, fire or the like.

**CAUTION :** Danger of explosion if battery is incorrectly replaced. Replace only with the same or equivalent type.

### **⚠️ WARNING** DO NOT INGEST BATTERY. CHEMICAL BURN HAZARD.

The remote control supplied with this product contains a coin/button cell battery. If the coin/button cell battery is swallowed, it can cause severe internal burns in just 2 hours and can lead to death.

Keep new and used batteries away from children. If the battery compartment does not close securely, stop using the product and keep it away from children.

If you think batteries might have been swallowed or placed inside any part of the body, seek immediate medical attention.

## SYSTEM CONNECTIONS

### SPEAKER CONNECTIONS

Connect the speakers to the R terminal and the L terminal.

**NOTE :** Connecting speakers other than the speakers supplied with the unit may damage the unit.

#### CAUTIONS:

- Ensure that the power supply in your house complies with that indicated on the identification sticker located on the back of your unit. (AC 120V ~ 60Hz).
- If you are not going to use the unit for a long time, disconnect the AC power plug from the wall outlet.
- This unit is designed for continuous use. Switching off the unit to standby mode does not disconnect it from the power supply. To completely isolate the equipment, remove the plug from the wall outlet as some components remain connected to the electrical supply.
- **To prevent electrical shock, match wide blade of plug to wide slot of wall outlet, then fully insert.**

EN

## CHARGE YOUR SMARTPHONE/TABLET

You can charge your smartphone/tablet through the USB socket with a USB cable (not supplied).

Connect a USB cable (not supplied) to the USB socket on the front of the unit and the dock connector on your smartphone/tablet.

## LINE IN CONNECTION

You can connect audio devices such as your CD player or MP3 player to the unit via the LINE IN jack. To do this, connect an audio cable from the line out or headphone out jack of the other audio device to the LINE IN jack on the front of unit. Press the **SOURCE** button to switch to AUX mode.

**Note :** We recommend you unplug the device from the LINE IN jack when not in use.

## CLOCK SETTING

Setting the clock can only be done in STANDBY mode.

- If the unit is plugged in with the supplied AC adapter and the unit is in standby mode.
1. Press and hold the **Ⓞ/PROG/MEM** button until the hour digits blink.
  2. Press the **◀◀** or **▶▶** button to adjust the desired hours and press the **Ⓞ/PROG/MEM** button once to confirm, then the minute digits blink.
  3. Press the **◀◀** or **▶▶** button to adjust the desired minutes and press the **Ⓞ/PROG/MEM** button once to start clock.

## LISTENING TO THE RADIO

Press the **SOURCE** button to switch to TUNER mode.

### Searching for a Station Automatically

- Press and hold the **◀◀** or **▶▶** button until the tuner starts searching for a station, then release. After tuning in a station, the search stops.

### Presetting Stations

1. Tune in to a desired station. Press the **Ⓞ/PROG/MEM** button.
2. The preset number will blink and the "MEM" indicator will be shown on the display.
3. Press the **⏪/MEM.UP** button to select the preset number.
4. Press the **Ⓞ/PROG/MEM** button again to store it in memory.

### Tuning in to a Preset Station

Press the **⏪/MEM.UP** button to select a preset number.

**Note :** Do not connect the FM antenna to an outside antenna.

When the reception is good, the "STEREO" icon will appear on the display.

## PLAYBACK VIA BLUETOOTH® ENABLED DEVICES

### INITIAL DEVICE PAIRING AND CONNECTION

In order to pair and connect your Bluetooth® device for the first time:

1. Press the **SOURCE** button to Bluetooth® mode and "b ƚ" is shown on the display. The Bluetooth® indicator light glows blue and flashes which means the unit is in Bluetooth® mode and ready to pair.
2. Turn on the Bluetooth® device you wish to pair and connect.
3. Press and hold the **PAIR** button on the remote control for 3 seconds. The Bluetooth® indicator light will start flashing rapidly which means it is pairing.
4. On your Bluetooth® enabled device, search for the "RS3697BL" in the list of discovered devices and select it. It may take the unit and Bluetooth® enabled device a few seconds to pair.
5. When the Bluetooth® indicator glows a solid blue, the unit and the Bluetooth® enabled device are now paired and connected.
6. You can now enjoy audio from the unit.

**Notes :** If your Bluetooth device (e.g. Smart phone etc.) needs the PIN code while pairing, please enter 4-digit number: 0000.

The unit can only be connected to one Bluetooth® device at a time.

EN

### RECONNECTING A BLUETOOTH® ENABLED DEVICE

Bluetooth® enabled devices must be reconnected when the device has been turned off or the unit has been turned off.

1. Turn on the Bluetooth® device that has already been paired with the unit.
2. Press the **SOURCE** button to Bluetooth® mode and "b ƚ" is shown on the display. The Bluetooth® indicator light glows blue and starts flashing rapidly, and it auto searches for the last paired Bluetooth® device in memory.
3. Depending on your Bluetooth® device, your device may automatically connect to the unit. If the device does not automatically connect to the unit, press and hold the **PAIR** button on the remote control for 3 seconds until the Bluetooth® indicator light starts flashing rapidly, then search for the "RS3697BL" in its list of your Bluetooth® devices and select it.
4. Once the Bluetooth® indicator turns a solid blue, the Bluetooth® enabled device is paired and connected.
5. You can now enjoy audio from the unit.

### PAIR AND CONNECT WITH ANOTHER NEW DEVICE

In order to pair the unit to a new device, you must first disconnect the currently paired and connected Bluetooth® device from the unit.

1. On the currently paired and connected Bluetooth® device, select the "RS3697BL" from the list of currently paired and connected devices, and disconnect it. Please refer to your Bluetooth® enabled device User's Guide for direction on how to disconnect a device. Or turn off the Bluetooth® device.
2. Follow the Initial device pairing and connection instructions above.

## CD PLAYBACK

1. Press the **OPEN/CLOSE** button to open the CD door. Place a disc in the center with the label side up and then press the **OPEN/CLOSE** button to close the CD door.
2. Press the **SOURCE** button to CD mode. "CD" appears and "--" blinks on the display. Then the total track no. is shown on the display.
3. Press the **▶|| PLAY/PAUSE** button to start playing.

## REPEAT PLAYBACK

### Repeat Current Track

Press the **◀/MEM.UP** button until "REP" blinks on the display. The current track will be played repeatedly.

### Repeat the Entire CD

Press the **◀/MEM.UP** button until "REP ALL" stops blinking and remains on. All tracks will be played repeatedly.

### Cancel Playback Mode

Press the **◀/MEM.UP** button until "REP" disappears.

## RANDOM PLAYBACK

All tracks on the disc can be played in random order (Using the remote control only).

### Random Playback

Press the **RANDOM** button on the remote control until "r" is shown on the display. All tracks will be played randomly. To cancel, press the **RANDOM** button on the remote control until "r" disappears.

## PROGRAMMABLE CD PLAYBACK

A program of up to 20 tracks can be set to play in a preset order.

1. In CD stop mode, press the **⊙/PROG/MEM** button and the "MEM" & "P 0 1" will blink on the display.
2. Press the **◀◀** or **▶▶** button to select the desired track and press the **⊙/PROG/MEM** button to store the track in memory. To start playback, press the **▶▶PLAY/PAUSE** button.

EN

## PRESET EQ

This system has four different equalizer settings to adjust the levels of bass and treble.

During playback, press the **PRESET EQ** button to select a desired music mode. Each time the **PRESET EQ** button is pressed, the music mode will be changed to the next one as follows: **0FF** → **r 0c (ROCK)** → **P 0 P** → **CLR (CLASSIC)**

## TIMER SETTING

The timer function will turn the unit on at a preset time.

### To set timer

1. In standby mode, press and hold the **TIMER** button on the remote control until the hour indicator blinks.
2. Press the **◀◀** / **▶▶** button to adjust the desired hours and press the **TIMER** button once to confirm, then the minute digits blink.
3. Press the **◀◀** / **▶▶** button to adjust the desired minutes and press the **TIMER** button once to confirm, then the TUNER indicator blinks.
4. Press the **◀◀** / **▶▶** button to choose whether the unit will wake up to "CD" or "RADIO" when the timer reaches the preset time, then press the **TIMER** button once to confirm.
5. Press the **◀◀** / **▶▶** button to adjust the volume, then press the **TIMER** button once to confirm.
  - For RADIO alarm, first tune in to a desired station.
  - For CD alarm, first press the **CD** button to CD mode and insert one CD into the unit.

To cancel, press and hold the **TIMER** button on the remote control and the CD or RADIO indicator goes out.

## SLEEP TIMER SETTING

The sleep timer automatically turns the unit off at a certain time.

1. While the unit is on, press the **SLEEP** button on the remote control and "90" appears on the display.
2. Press the **SLEEP** button repeatedly to select the desired sleep time as below:  
**0FF** → **90** → **80** → **70** → **60** → **50** → **40** → **30** → **20** → **10**
3. After setting a desired sleep time, the "**SLEEP<sub>z</sub>Z**" appears on the display.
4. The unit will automatically turn off once it reaches the sleep time.
  - To clear the preset sleep time press the **SLEEP** button on the remote control to select "0FF" and the "**SLEEP<sub>z</sub>Z**" disappears on the display.

## ILLUMINATED SPEAKERS

When the unit turns on, the speakers will light up with multi-color LEDs and interact with the music. Press and hold the **☾** button on the unit or remote control to turn the lights on/off.

## LIMITED WARRANTY

**AVC MULTIMEDIA (“AVC”)** makes the following limited warranty. This limited warranty extends to the original consumer purchaser and is limited to non-commercial use of the product.

### One Year Parts & Labor Warranty

**AVC** products purchased in the United States are warranted to be free from defects in materials or workmanship for a period of one year from the date of their original retail purchase. If the unit fails to conform to this warranty, we will service the product using new or refurbished parts and products, at **AVC’s** sole discretion.

During a period of one year from the effective warranty date, **AVC** will provide, when needed, service labor to repair a manufacturing defect at its designated Service Center. To obtain warranty service in the United States, you must first call our **Customer Support Center at 1-800-506-5746, during the hours listed in the box below.** The determination of service will be made by **AVC** Customer Support. **PLEASE DO NOT RETURN YOUR UNIT TO AVC WITHOUT PRIOR AUTHORIZATION.** New or remanufactured replacements for defective parts or products will be used for repairs by **AVC** at its designated Service Center for one year from the effective warranty date. Such replacement parts or products are warranted for an additional one year from the date of repair or replacement. The Customer will be required to ship the unit to the Service Center indicated at the time Customer Support is contacted to make the necessary repairs. The customer is responsible for all transportation charges to the service facility.

EN

### Packaging and Shipping Instruction

When you send the product to the **AVC** service facility you must use the original carton box and packing material or an equivalent as designated by **AVC**.

### Your Responsibility

- (1) You must retain the original sale receipt to provide proof of purchase.
- (2) These warranties are effective only if the product is purchased and operated in the U.S.A. or Canada.
- (3) Warranties extend only to defects in material or workmanship, and do not extend to any product or parts which have been lost or discarded, or damage to product or parts caused by misuse, accident, improper operation or maintenance, or use in violation of instructions provided with the product, or to product which has been altered or modified without authorization of **AVC**, or to products or parts thereof which have had the serial number removed or changed.

### Out of Warranty

In the event your product requires repair after the limited warranty period has expired, please contact our Customer Support Center at **1-800-506-5746 or [www.RCAav.com](http://www.RCAav.com)**

**Hours: Monday–Thursday: 9am–7pm, Friday: 9am–5pm,  
Saturday: 9am–NOON Eastern time.**

**Important:** You are responsible for any transportation, shipping or insurance relative to the return of product to our Product Returns Center.

All warranties implied by state law, including the implied warranties of merchantability and fitness for a particular purpose, are expressly limited to the duration of the limited warranties set forth above. With the exception of any warranties implied by state law as hereby limited, the foregoing warranty is exclusive and in lieu of all other warranties, guarantees, agreements and similar obligations of manufacturer or seller with respect to the repair or replacement of any parts. In no event shall **AVC** be liable for consequential or incidental damages.

No person, agent, distributor, dealer or company is authorized to change, modify or extend the terms of these warranties in any manner whatsoever. The time within action must be commenced to enforce any obligation of **AVC** arising under the warranty or under any statute, or law of the United States or any state thereof, is hereby limited to one year from the date of purchase. This limitation does not apply to implied warranties arising under state law.

This warranty gives you specific legal rights and you may also have other rights, which may vary, from state to state. Some states do not allow limitation on how long an implied warranty lasts, when an action may be brought, or the exclusion or limitation of incidental or consequential damages, so the above provisions may not apply to you. For more information on other products and services, please visit our web site at **[www.RCAav.com](http://www.RCAav.com)**

**Important:** Also keep your “Bill of Sale” as proof of purchase.

Model no ..... Product name .....

Type of set ..... Serial no .....

Invoice no ..... Date purchased .....

Dealer name .....

FOR SERVICE AND REPAIR, PLEASE VISIT **[www.RCAav.com](http://www.RCAav.com)**

**Specifications and external appearance are subject to change without notice.**

# MESURES DE SÉCURITÉ



\* Voir fiche signalétique à l'arrière de l'appareil \*

## AVERTISSEMENT:

- POUR ÉVITER LE RISQUE D'INCENDIE OU DE CHOC ÉLECTRIQUES, NE PAS EXPOSER CET APPAREIL À LA PLUIE OU À L'HUMIDITÉ.
- POUR ÉVITER UN CHOC ÉLECTRIQUE, NE PAS OUVRIR L'ARMOIRE. CONFIER L'ENTRETIEN À UN PERSONNEL QUALIFIÉ UNIQUEMENT.
- MAINTENEZ L'APPAREIL À L'ABRI DES ÉCLABOUSSURES ET VEILLEZ À NE PAS POSER D'OBJETS REMPLIS D'EAU OU DE TOUT AUTRE LIQUIDE SUR L'APPAREIL.

## RENSEIGNEMENTS FCC

Cet appareil est en conformité avec la section 15 des règles de la FCC. Son fonctionnement est soumis aux deux conditions suivantes: (1) Cet appareil ne doit pas causer d'interférences gênantes, et (2) Cet appareil doit tolérer toute interférence reçue, y compris celles qui pourraient causer son mauvais fonctionnement.

Cet appareil a été soumis à des tests et s'est révélé en conformité avec les limites pour un appareil numérique de classe B, conformément à la section 15 des règles de la FCC. Ces limites ont pour but d'assurer une protection raisonnable contre les interférences gênantes dans une installation résidentielle. Cet appareil génère, utilise et peut émettre des fréquences radioélectriques, et s'il n'est pas installé et utilisé selon les instructions, il peut causer des interférences nuisibles aux radiocommunications. Cependant, il n'y a pas de garantie que des interférences ne se produiront pas dans une installation donnée. Si cet appareil cause des interférences nuisibles à la réception de la radio ou de la télévision, ce qui peut être déterminé en mettant l'appareil en et hors circuit, nous conseillons à l'utilisateur l'une ou plusieurs des mesures correctives suivantes:

- Réorientez ou changez l'emplacement de l'antenne de réception.
- Augmentez la séparation entre l'appareil et le récepteur.
- Branchez l'appareil dans une prise sur un circuit différent de celui sur lequel le récepteur est branché.
- Adressez-vous au dépositaire ou à un technicien qualifié de radio/téléviseur pour obtenir de l'aide.

**AVERTISSEMENT:** Des changements ou modifications apportés à cet appareil, non approuvés expressément par les responsables de la conformité, peuvent ôter à l'utilisateur le droit d'utiliser cet appareil.

## Pour les clients au Canada

Cet appareil est conforme au cahier des charges des appareils radio exempts de licence CNR-210. Son fonctionnement est soumis aux deux conditions suivantes : (1) Cet appareil ne doit pas causer d'interférences gênantes et (2) cet appareil doit tolérer toute interférence reçue, y compris celles susceptibles de causer un mauvais fonctionnement.

Cet appareil est conforme aux limites de Class B pour les émissions de bruit radio, établies dans les dispositions relatives aux radiointerférences. Ce produit contient un dispositif laser à basse puissance.

## Énoncé de la FCC sur l'exposition à l'énergie des RF

Mise en garde : Pour respecter les directives de la FCC sur l'exposition à l'énergie des radiofréquences, laissez au moins 20 cm entre de l'appareil et les personnes présentes.

CAN ICES-3 (B) / NMB-3 (B)

## Avertissements:

- Pour être complètement déconnecté de l'alimentation d'entrée, la prise doit être débranchée du secteur. La prise du secteur ne doit pas être obstruée ou doit être facilement accessible pendant son utilisation.
- La prise du secteur ne doit pas être obstruée ou doit être facilement accessible pendant son utilisation.
- Distances minimum de 10 cm (4 po.) autour de l'appareil pour une ventilation suffisante.
- La ventilation ne doit pas être entravée en couvrant les



Le symbole de l'éclair avec la flèche dessinée à l'intérieur d'un triangle avertit l'utilisateur de la présence de « tension dangereuse » non isolée au sein du logement du produit qui peut avoir une amplitude suffisante pour constituer un risque d'électrocution.



Le point d'exclamation dessiné à l'intérieur d'un triangle avertit l'utilisateur de la présence d'importantes instructions d'opération et d'entretien (réparation) dans ce manuel de l'utilisateur.

- orifices de ventilation avec des articles que les journaux, nappes de table, rideaux, etc.
- Aucune source de flamme nue telle que des bougies allumées doivent être placées sur l'appareil.

## Concernant la sécurité

Étant donné que le faisceau laser utilisé dans ce lecteur de disques compacts présente des risques pour les yeux, ne pas essayer de démonter le boîtier. Confier la maintenance à un personnel qualifié uniquement.

- Ne pas placer d'objets extérieurs dans la fente de sécurité située à l'intérieur du compartiment à disques, sans quoi le faisceau laser risque de sortir lorsque le couvercle est ouvert.
- Si des objets solides ou des liquides tombent dans le lecteur, débrancher l'alimentation électrique et faire vérifier le lecteur par un personnel qualifié avant de continuer à l'utiliser.

## Pendant le fonctionnement

Étant donné que le système de CD offre un vaste rapport de dynamique, les crêtes des entrées de niveau élevé sont enregistrées à une haute fidélité et le niveau de bruit est très bas. Ne pas augmenter le volume en écoutant une partie du disque sans signaux audio ou avec des entrées de niveau très bas, sans quoi les enceintes risquent d'être endommagées lorsque le niveau de crête du son est lu. Les lentilles situées sur le plateau du disque doivent être maintenues propres. Ne pas toucher les lentilles, ni les pousser, sans quoi elles risquent d'être endommagées et le lecteur risque de ne pas fonctionner correctement.

## Concernant l'installation

Ne jamais installer le lecteur dans des endroits où il est soumis:

- à des sources de chaleur, telles que des radiateurs ou des conduits d'aération.
- à la lumière directe du soleil.
- à une poussière excessive.
- à l'humidité ou la pluie.
- à des vibrations ou des chocs mécaniques.
- à une surface non plane.

- Ne pas placer un objet lourd au-dessus du lecteur.
- Lorsque l'appareil est branché dans une prise CA, ne l'enveloppez pas dans du tissu, une couverture, etc., car ceci augmenterait considérablement la température intérieure et extérieure et pourrait provoquer un dérèglement de l'appareil.
- Si le lecteur est déplacé directement d'un endroit froid à un endroit chaud ou dans une pièce très humide, de l'humidité risque de se condenser sur les lentilles à l'intérieur du lecteur. Si cela se produit, le lecteur ne fonctionnera pas. Dans ce cas, enlever le disque et laisser le lecteur dans un endroit chaud pendant plusieurs heures jusqu'à ce que l'humidité s'évapore.
- Pour un fonctionnement optimum, le lecteur ne doit pas être soumis à des températures inférieures à 5°C (41°F) ou supérieures à 35°C (95°F).

## Informations supplémentaires relatives à la sécurité

- L'appareil ne doit pas être exposé aux écoulements ou aux éclaboussures et aucun objet ne contenant de liquide, tel qu'un vase, ne doit être placé sur l'objet.
- Prévoyez toujours un espace suffisant autour de l'appareil pour l'aération. Ne placez pas le produit dans ou sur un lit, un tapis, dans une bibliothèque ou un meuble qui peuvent empêcher les flux d'air à travers les orifices des prises d'air.
- Ne placez pas de bougies allumées, de cigarettes, cigares, etc. sur l'appareil.
- Branchez la fiche d'alimentation à la prise d'alimentation CA uniquement selon le marquage sur l'appareil.
- Il faut veiller à ce que des objets ne tombent pas à l'intérieur de l'appareil.
- N'essayez pas de démonter le boîtier. Ce produit ne contient pas de composants à entretenir par le client.

F



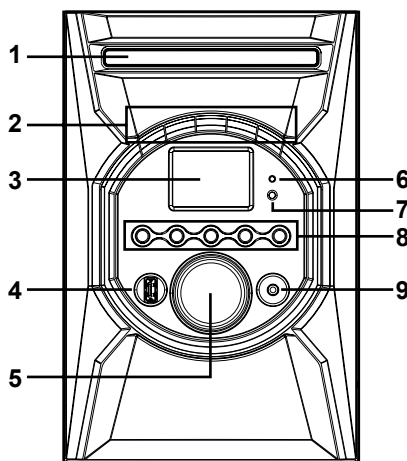
# CONSIGNES DE SÉCURITÉ IMPORTANTES

1. Lisez ces instructions.
2. Conservez ces instructions.
3. Tenez compte de tous les avertissements.
4. Suivez toutes les instructions.
5. N'utilisez pas cet appareil à proximité de l'eau.
6. Utilisez seulement un chiffon sec pour nettoyer l'appareil.
7. Ne bloquez aucun orifice d'aération. Effectuez la pose en suivant les instructions du fabricant.
8. Ne placez pas cet appareil à proximité d'une source de chaleur tels radiateurs, registres de chaleur, poêles/cuisinières ou tout autre appareil (amplificateurs compris) produisant de la chaleur.
9. Ne neutralisez pas le dispositif de sécurité d'une fiche polarisée ou à mise à la terre. Une fiche polarisée comporte deux broches dont une est plus large que l'autre. Une fiche à mise à la terre comporte trois broches dont une est une broche de mise à la terre. La broche large ou la broche de mise à la terre sont conçues pour votre sécurité. Si la fiche fournie ne s'adapte pas à votre prise de courant, adressez-vous à un électricien pour remplacer votre prise obsolète.
10. Protégez le cordon d'alimentation en l'acheminant de manière à ne pas marcher dessus, à ne pas le coincer et vérifiez particulièrement la fiche, la prise de courant et le point de sortie de l'appareil.
11. Utilisez seulement des accessoires recommandés par le fabricant.
12. Utilisez cet appareil seulement avec un chariot, support, trépied, une fixation ou une table tels que recommandés par le fabricant ou vendus avec l'appareil. Lors de l'utilisation d'un chariot, faites preuve de prudence lorsque vous déplacez le chariot avec l'appareil pour éviter toute blessure en cas de renversement.
13. Débranchez cet appareil en cas d'orages ou si l'appareil est inutilisé pendant une longue période de temps.
14. En cas de réparation nécessaire, confiez l'appareil à un personnel qualifié. Une réparation s'impose si l'appareil a été endommagé de quelque façon que ce soit, par exemple si le cordon d'alimentation ou la fiche sont endommagés, s'il y a eu pénétration d'un liquide ou d'objets dans l'appareil, si ce dernier a été exposé à de la pluie ou de l'humidité, s'il ne fonctionne pas correctement, ou s'il est tombé.



Portable  
Cart  
Warning

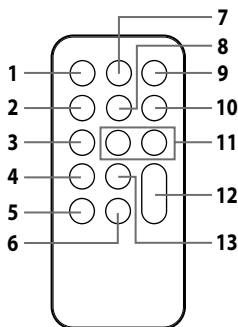
## EMPLACEMENT DES COMMANDES



1. Porte de CD
2. Touche ◀◀ / TUNE -  
Touche ▶▶ / TUNE +  
Touche ▶▶ | PLAY/PAIR  
Touche ■ STOP  
Touche ▲ OPEN / CLOSE
3. Affichage LCD
4. Port USB (pour charge seulement)
5. Interrupteur INTERFÉRENCES
6. Voyant Bluetooth®
7. Capteur à distance
8. Touche ⏻ STANDBY/ON  
Touche ☀ / PRESET EQ  
Touche ↺ / MEM.UP  
Touche ⌚ PROG/MEM  
Touche ▶ SOURCE
9. Prise d'entrée de ligne

F

## TÉLÉCOMMANDE

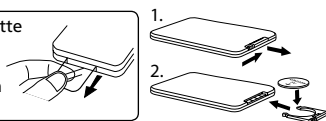


1. Touche ⏻ STANDBY/ON
2. Touche SLEEP
3. Touche ⌚ / PROG/MEM
4. Touche RANDOM
5. Touche ↺ / MEM.UP
6. Touche ■ STOP
7. Touche ☀ / PRESET EQ
8. Touche TIMER
9. Touche SOURCE
10. Touche PAIR
11. Touches ◀◀ / ▶▶ / TUNE - / +
12. Touches VOLUME +/-
13. Touche ▶▶ | PLAY/PAUSE

## REMPLACEMENT DES PILES

Quand les piles s'affaiblissent, la distance de fonctionnement de la télécommande baisse considérablement et il faut les remplacer.

Retirez la languette de protection en plastique avant d'utiliser la télécommande.



**REMARQUE :** Si vous n'allez pas utiliser la télécommande pendant une longue période de temps, retirez la pile pour éviter toute corrosion en cas de fuite de la pile.

**AVERTISSEMENT :** Ne vous débarrassez pas de la pile en la jetant dans un feu, car la pile peut exploser ou fuir.

Les piles ne doivent pas être exposées à de forte chaleur, tel qu'à la lumière du soleil, au feu ou autres choses de semblable.  
**ATTENTION :** Danger d'explosion si la pile est remplacée par un modèle incorrect. Remplacez la pile uniquement par un modèle identique ou de type équivalent.

## ⚠ AVERTISSEMENT NE PAS INGÉRER LA PILE. RISQUE DE BRÛLURE CHIMIQUE.

La télécommande fournie avec ce produit contient une pile bouton. Si la pile bouton est avalée, elle peut provoquer des brûlures internes graves en juste 2 heures de temps, qui peuvent entraîner la mort.

Garder les piles neuves et utilisées hors de la portée des enfants. Si le compartiment de la pile ne se ferme pas hermétiquement, nevez d'utiliser le produit et le garder hors de la portée des enfants.

S'il y a un doute qu'une pile a été avalée ou s'est logée à l'intérieur de n'importe quelle partie du corps, consulter un médecin immédiatement.

## CONNEXIONS DU SYSTÈME

### CONNECTEUR DES ENCEINTES

Connectez des enceintes à la borne R et borne L.

**Remarque :** Connectez des enceintes autres que celles fournies avec l'appareil peut l'endommager.

### MISES EN GARDE:

- Vérifiez que l'alimentation de votre résidence est conforme à celle indiquée sur l'étiquette d'identification située à l'arrière de votre appareil (CA 120 V – 60 Hz).
- Débranchez le cordon d'alimentation si vous n'allez pas utiliser l'appareil pendant une longue période de temps.
- Cet appareil est conçu pour fonctionner en continu. Le mettre en mode de veille (hors circuit) ne le déconnecte pas de l'alimentation électrique. Pour isoler complètement l'équipement, retirez la fiche de la prise murale car certains composants demeurent connectés à l'alimentation électrique.
- **Pour éviter tout choc électrique, faites correspondre la broche large de la fiche à la fente large de la prise murale et insérez la fiche complètement.**

## CHARGEZ VOTRE TÉLÉPHONE INTELLIGENT

Vous pouvez charger votre téléphone intelligent/tablette dans la prise USB à l'aide d'un câble USB (non compris). Raccordez une extrémité d'un câble USB (non compris) dans la prise USB sur le devant de l'appareil et l'autre extrémité dans le connecteur de station sur votre téléphone intelligent/tablette.

F

## CONNEXION D'ENTRÉE DE LIGNE

Vous pouvez raccorder des appareils audio tels votre lecteur de CD ou lecteur MP3. Il vous suffit de raccorder un câble audio entre la prise de sortie de ligne ou la prise de sortie du casque d'écoute de l'appareil audio auxiliaire et la prise d'entrée LINE IN sur le devant de l'appareil. Abaissez la touche **SOURCE** pour passer au mode AUX.

**Remarque :** Nous conseillons de débrancher l'appareil de la prise ENTRÉE DE LIGNE si celle-ci n'est pas utilisée.

## RÉGLAGE DE L'HORLOGE

Le réglage de l'horloge s'effectue seulement en mode de VEILLE.

- Branchez l'appareil avec l'adaptateur CA fourni et mettez l'appareil en mode de veille.
1. Abaissez et maintenez la touche **⌚/PROG/MEM** jusqu'à ce que les heures clignotent.
  2. Abaissez la touche **⏪** ou **⏩** pour régler l'heure désirée et abaissez la touche **⌚/PROG/MEM** une fois pour confirmer; les minutes clignotent.
  3. Abaissez la touche **⏪** ou **⏩** pour régler les minutes désirées et abaissez la touche **⌚/PROG/MEM** une fois pour mettre l'horloge en marche.

## ECOUTER LA RADIO

Pressez la touche **SOURCE** dans le mode radio.

### Recherche automatique d'une station

- Pressez et maintenez la touche **⏪** ou **⏩** jusqu'à ce que le syntoniseur commence à chercher une station, puis relâchez. Une fois la station captée, la recherche s'arrête.

### Préréglage des stations

1. Syntoniser une station souhaitée manuellement. Pressez la touche **⌚/PROG/MEM**.
2. Le numéro préréglé clignotera et le témoin "MEM" sera affiché à l'écran.
3. Pressez la touche **⌚/MEM.UP** pour sélectionner le numéro préréglé.
4. Pressez la touche **⌚/PROG/MEM** à nouveau pour le mémoriser.

### Syntoniser une station préréglée

Pressez la touche **⌚/MEM.UP** pour sélectionner un numéro préréglé.

**Remarques :** Ne raccordez pas l'antenne FM à une antenne extérieure.  
Quand la réception est bonne, le voyant "STEREO" apparaîtra à l'écran."

## LECTURE AU MOYEN D'APPAREILS ADAPTÉS À BLUETOOTH®

### LIAISON INITIALE À UN APPAREIL ET CONNEXION

Pour relier et connecter votre appareil Bluetooth® pour la première fois :

1. Pressez la touche **SOURCE** pour obtenir le mode Bluetooth® et "b ɫ" apparaît sur l'affichage. Le voyant Bluetooth® émet une lueur bleue et clignote pour indiquer que l'appareil est en mode Bluetooth® et prêt à effectuer une liaison.
2. Mettez en circuit l'appareil Bluetooth® que vous désirez relier et raccorder.
3. Pressez et maintenez la touche **PAIR** sur l'appareil pendant 3 secondes. Le voyant Bluetooth® commence à clignoter rapidement pour indiquer que la liaison est en cours.
4. Sur votre appareil adapté à Bluetooth®, recherchez "**RS3697BL**" sur la liste des appareils reconnus et choisissez-le. La liaison entre l'appareil et votre appareil adapté à Bluetooth® peut prendre quelques secondes.
5. Lorsque le voyant Bluetooth® reste allumé en bleu, l'appareil et votre appareil adapté à Bluetooth® sont maintenant reliés et raccordés.
6. Le son désiré provient maintenant de l'appareil.

**Remarques :** Si votre appareil Bluetooth (par exemple un téléphone intelligent, etc.) exige un numéro d'identification personnel lors de la liaison, veuillez entrer le numéro à 4 chiffres : 0000. L'appareil ne peut se relier qu'à un seul appareil Bluetooth® chaque fois.

### RACCORDEMENT À UN APPAREIL ADAPTÉ À BLUETOOTH®

Il faut raccorder de nouveau les appareils adaptés à Bluetooth® après leur mise hors circuit ou si l'appareil a été lui aussi mis hors circuit.

1. Mettez en circuit l'appareil Bluetooth® qui a déjà fait l'objet d'une liaison avec cet appareil.
2. Pressez la touche **SOURCE** pour obtenir le mode Bluetooth® et "b ɫ" apparaît sur l'affichage. Le voyant Bluetooth® émet une lueur bleue et commence à clignoter rapidement; une recherche auto s'effectue dans la mémoire pour le dernier appareil Bluetooth® mis en liaison.
3. Suivant votre appareil Bluetooth®, ce dernier peut se raccorder automatiquement à l'appareil. Si ceci ne se produit pas automatiquement, pressez et maintenez la touche **PAIR** sur l'appareil pendant 3 secondes jusqu'à ce que le voyant Bluetooth® commence à clignoter rapidement, puis recherchez "**RS3697BL**" sur la liste de vos appareils Bluetooth® et choisissez-le.
4. Lorsque le voyant Bluetooth® reste allumé en bleu, l'appareil adapté à Bluetooth® est mis en liaison et raccordé.
5. Le son désiré provient maintenant de l'appareil.

F

### LIAISON ET RACCORDEMENT À UN AUTRE APPAREIL

Pour relier l'appareil à un nouvel appareil, il faut d'abord débrancher l'appareil Bluetooth® déjà relié et raccordé à l'appareil.

1. Sur l'appareil Bluetooth® déjà relié et raccordé, choisissez "**RS3697BL**" sur la liste des appareils reliés et raccordés et débranchez-le. Veuillez vous reporter au Guide d'utilisation de votre appareil adapté à Bluetooth® pour les renseignements sur la façon de débrancher un appareil. Ou mettez votre appareil Bluetooth® hors circuit.
2. Suivez les instructions dans la section Liaison initiale à un appareil et connexion ci-dessus.

## LECTURE DE CD

1. Pressez la touche **OPEN/CLOSE** pour ouvrir la porte du lecteur de CD. Insérez au centre un disque avec l'étiquette vers le haut. Pressez ensuite la touche **OPEN/CLOSE** pour fermer la porte du lecteur de CD.
2. Pressez la touche **SOURCE** dans le mode CD. "CD" apparaît et "--" clignote sur l'écran. Ensuite le nombre total de pistes est affiché à l'écran.
3. Pressez la touche **▶||PLAY/PAUSE** pour démarrer la lecture.

## RÉPÉTER LA LECTURE

### Répétez la piste en cours

Pressez la touche **↺/MEM.UP** jusqu'à ce que "REP" clignote sur l'écran. La piste en cours sera lue de façon répétitive.

### Répéter le CD entier

Pressez la touche **↺/MEM.UP** jusqu'à ce que "REP ALL" s'arrête de clignoter et reste allumé. Toutes les pistes seront lues de façon répétitive.

### Annulation du mode de lecture

Pressez la touche **↺/MEM.UP** jusqu'à ce que "REP" disparaisse de l'affichage.

## LECTURE ALÉATOIRE

La lecture de toutes les plages du disque peut s'effectuer en ordre aléatoire. (Utilisez seulement la télécommande pour cette fonction).

### Lecture aléatoire

Pressez la touche **RANDOM** sur la télécommande et "r" sera affiché à l'écran. Toutes les pistes seront lues de façon aléatoire. Après que toutes les pistes aient été lues, l'appareil s'arrêtera automatiquement. Pour annuler, pressez la touche **RANDOM** sur la télécommande jusqu'à ce que "r" disparaisse.

## LECTURE PROGRAMMABLE DE CD

Un programme de jusqu'à 20 pistes peut être défini pour la lecture dans un ordre prédéfini.

1. Dans le mode arrêt du CD, pressez sur la touche **PROG/MEM** et "MEM" & "P 0 1" clignotera à l'écran.
2. Pressez sur la touche **◀◀** ou **▶▶** pour sélectionner la piste souhaitée ensuite pressez la touche **PROG/MEM** pour mémoriser la piste en mémoire. Pour démarrer la lecture, pressez la touche **▶▶PLAY/PAUSE**.

## PRÉRÉGLAGE EQ

Ce système comporte quatre réglages de correcteur qui permettent d'ajuster les niveaux de basses et d'aigus. Durant la lecture, pressez la touche **PRESET EQ** pour sélectionner un mode de musique désiré. Chaque fois que vous pressez la touche **PRESET EQ**, le mode de musique sera changé au suivant comme suit :

OFF -> roc (ROCK) -> POP -> CL (CLASSIC)

F

## RÉGLAGE DE LA MINUTERIE

La minuterie permet de mettre l'appareil en circuit à un moment préréglé.

### RÉGLAGE DE LA MINUTERIE

1. En mode de veille, pressez la touche **TIMER** de la télécommande et maintenez-la enfoncée jusqu'à ce que l'indicateur de l'heure clignote.
  2. Pressez la touche **◀◀** / **▶▶** pour régler l'heure désirée et pressez la touche **TIMER** une fois pour confirmer; les chiffres des minutes clignotent.
  3. Pressez la touche **◀◀** / **▶▶** pour régler les minutes désirées et pressez la touche **TIMER** une fois pour confirmer; l'indicateur TUNER (syntonisateur) clignote.
  4. Pressez la touche **◀◀** / **▶▶** pour choisir la mise en fonction de "CD" ou "RADIO" lors du déclenchement de l'avertisseur sonore, puis pressez la touche **TIMER** une fois pour confirmer.
  5. Pressez la touche **◀◀** / **▶▶** pour régler le volume, puis pressez la touche **TIMER** une fois pour confirmer.
- Pour choix de RADIO comme avertisseur sonore, syntonisez tout d'abord la station désirée.
  - Pour choix de CD comme avertisseur sonore, pressez la touche CD pour obtenir le mode CD et insérez un CD dans l'appareil.


Pour annuler, pressez la touche **TIMER** de la télécommande et maintenez-la enfoncée jusqu'à ce que l'indicateur "CD" ou "RADIO" disparait de l'affichage.

## RÉGLAGE DE MISE EN SOMMEIL DE LA MINUTERIE

La mise en sommeil de la minuterie éteint automatiquement l'appareil après un certain temps.

1. Tandis que l'appareil est allumé, pressez la touche **SLEEP** et "00" apparaît à l'écran.
2. Pressez la touche **SLEEP** de façon répétitive pour sélectionner l'heure de mise en sommeil souhaitée comme ci-dessous: 0 FF → 9 0 → 8 0 → 7 0 → 6 0 → 5 0 → 4 0 → 3 0 → 2 0 → 1 0
3. Après le réglage de l'arrêt différé, "SLEEPzZ" apparaît sur l'affichage.
4. L'appareil se met automatiquement hors circuit lorsque l'heure de l'arrêt différé est atteinte.
- Pour effacer le réglage de l'arrêt différé, pressez la touche **SLEEP** sur la télécommande pour choisir "0 FF" et "SLEEPzZ" disparaît de l'affichage.

## HAUT-PARLEURS LUMINEUX

Lorsque l'appareil est en circuit, les DEL multicolores des haut-parleurs s'allument et interagissent avec la musique. Pressez la touche  de l'appareil ou de la télécommande et maintenez-la enfoncée pour allumer ou éteindre les lumières.

## GARANTIE LIMITÉE

**AVC MULTIMEDIA ("AVC")** offre la garantie limitée suivante. Cette garantie limitée s'applique à l'acheteur initial et se limite à un usage non commercial du produit.

### Garantie de Un An sur pièces et main-d'œuvre

Les produits **AVC** achetés aux États-Unis ou au Canada sont garantis être exempts de vices de matériaux ou de fabrication pendant une période de un an à partir de la date de l'achat au détail initial. Si l'appareil présente un défaut contraire à cette garantie, nous réparerons le produit en utilisant des pièces et produits neufs ou réusinés, à la seule discrétion d'**AVC**. Pendant une période de un an à partir de la date d'entrée en vigueur de la garantie, **AVC** fournira, s'il y a lieu, un service de main-d'œuvre pour réparer un défaut de fabrication à son Centre de service tel que spécifié. Pour obtenir un service aux termes de la garantie aux États-Unis ou au Canada, vous devez tout d'abord appeler notre **Centre de support à la clientèle au 1-800-506-5746, durant les heures indiquées dans la boîte ci-dessous**. Le service de support à la clientèle **AVC** déterminera le service à effectuer. **VEUILLEZ NE PAS RETOURNER VOTRE PRODUIT À AVC SANS AUTORISATION PRÉALABLE**. Les pièces ou produits de remplacement, neufs ou réusinés, seront utilisés pour toute réparation par **AVC** à son Centre de service tel que spécifié pendant un an à partir de la date d'entrée en vigueur de la garantie. Ces pièces ou produits de remplacement sont garantis pour un an supplémentaires à partir de la date de la réparation ou du remplacement. Le client doit expédier le produit au Centre de service indiqué par le service de support à la clientèle lors du contact établi pour effectuer les réparations nécessaires. Il incombe au client de payer tous les frais de transport au Centre de service.

### Instructions concernant l'emballage et l'expédition

Lorsque vous expédiez ce produit au Centre de service **AVC**, vous devez utiliser la boîte et les matériaux d'emballage d'origine ou articles équivalents tels que spécifiés par **AVC**.

### Votre responsabilité

- 1) Vous devez conserver votre facture de règlement à titre de preuve d'achat.
- 2) Ces garanties sont en vigueur uniquement si le produit est acheté et utilisé aux États-Unis ou au Canada.
- 3) Les garanties s'appliquent seulement aux vices de matériaux ou de fabrication et ne couvrent aucun produit ni pièces perdus ou jetés, ni un endommagement du produit ou de ses pièces causé par une mauvaise utilisation, un accident, une utilisation ou un entretien inappropriés, une utilisation contraire aux instructions fournies avec le produit, ni un produit altéré ou modifié sans autorisation d'**AVC**, ni à des produits ou pièces dont le numéro de série a été retiré ou changé.

### Entretien après l'expiration de la garantie

Si votre appareil doit être réparé après expiration de la période de garantie limitée, contactez le Centre de Soutien Clientèle au **1-800-506-5746** ou **www.RCAav.com**

**Heure: Lundi-Jeudi: 9am-7pm, Vendredi: 9am-5pm, Samedi: 9am-NOON Eastern time.**

**Important:** Vous êtes responsable du transport, expédition ou assurance, liés au renvoi de l'appareil à notre Centre de Renvoi de Produits.

Toutes les garanties implicites de droit, notamment les garanties implicites de qualité marchande et d'adaptation à une fin particulière, se limitent expressément à la durée des garanties limitées énoncées ci-dessus. Sauf pour ce qui est des garanties implicites de droit, telles qu'elles sont limitées par les présentes, la garantie qui précède remplacera toutes les autres garanties, ententes et obligations similaires du fabricant ou du vendeur, relativement à la réparation ou au remplacement de tout produit. **AVC** ne peuvent en aucun cas être tenues responsables des dommages indirects ou accessoires.

Aucun agent, concessionnaire, distributeur, société ou personne ne peut changer, modifier ou étendre les modalités de ces garanties, de quelque façon que ce soit. Toute procédure visant à faire exécuter une obligation quelconque de **AVC**, en vertu de cette garantie ou de toute loi ou tout règlement fédéral, étatique ou provincial des États-Unis ou au Canada, doit être entamée dans les un an suivant la date où d'achat. Ce délai de prescription d'action ne s'applique pas dans le cas des garanties implicites de droit.

Cette garantie vous accorde des droits légaux précis, qui s'ajoutent aux autres droits dont vous pouvez bénéficier et qui varient d'un État à l'autre. Certains états ne permettent pas la limitation de la durée des garanties implicites ou du délai de prescription d'action, ni l'exclusion ou la limitation des dommages indirects ou accessoires. Les dispositions ci-dessus peuvent donc ne pas s'appliquer dans votre cas.

Pour de plus amples renseignements sur d'autres produits et services, veuillez visiter notre site à **www.RCAav.com**

**Important:** Veuillez conserver votre "Facture D'achat" comme preuve d'achat.

N° du modèle ..... Nom du produit .....

Type d'appareil ..... N° de série .....

N° de la facture ..... Date d'achat .....

Nom du marchand .....

POUR ASSISTANCE, SERVICE ET RÉPARATION, VEUILLEZ VISITER **www.RCAav.com**

**Les spécifications et l'aspect extérieur peuvent être sujets à modification sans avis préalable.**