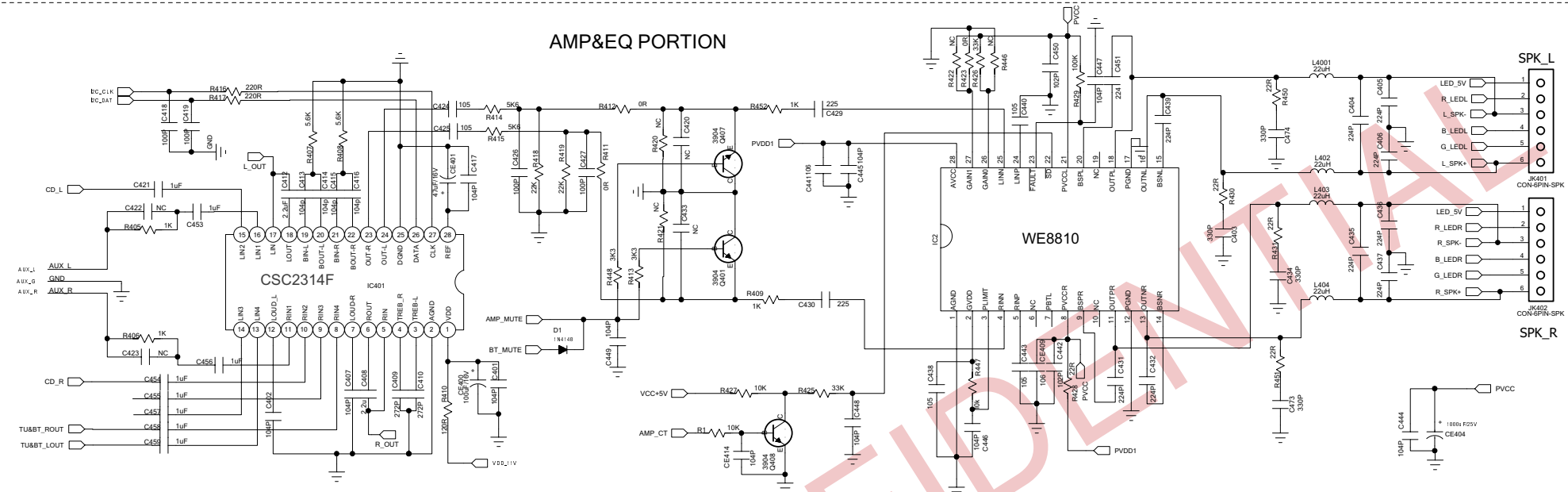


6 5 4 3 2 1

D

C

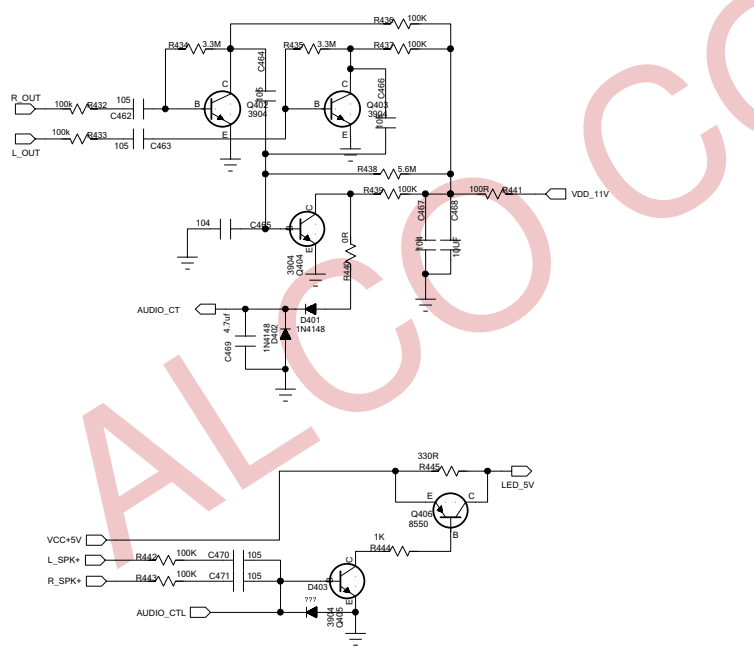
AMP&EQ PORTION



B

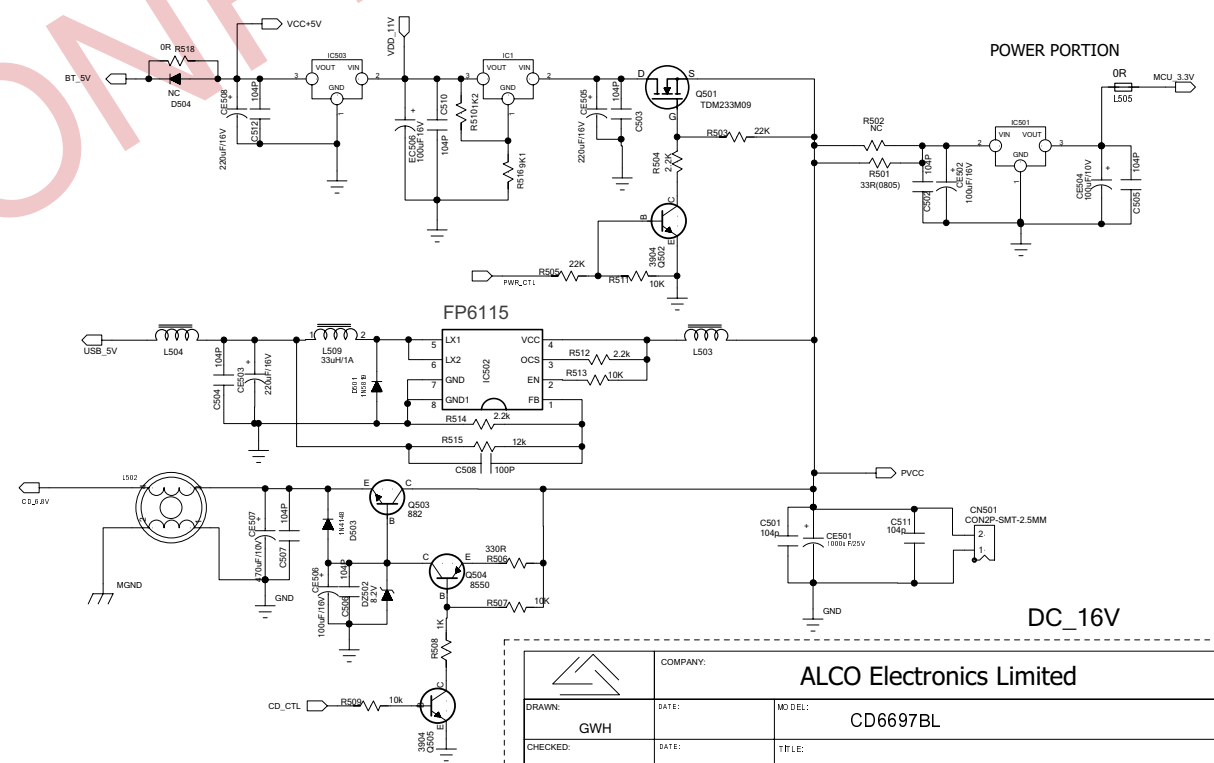
A

30 MINUTE NO SIGNAL POWER OFF.



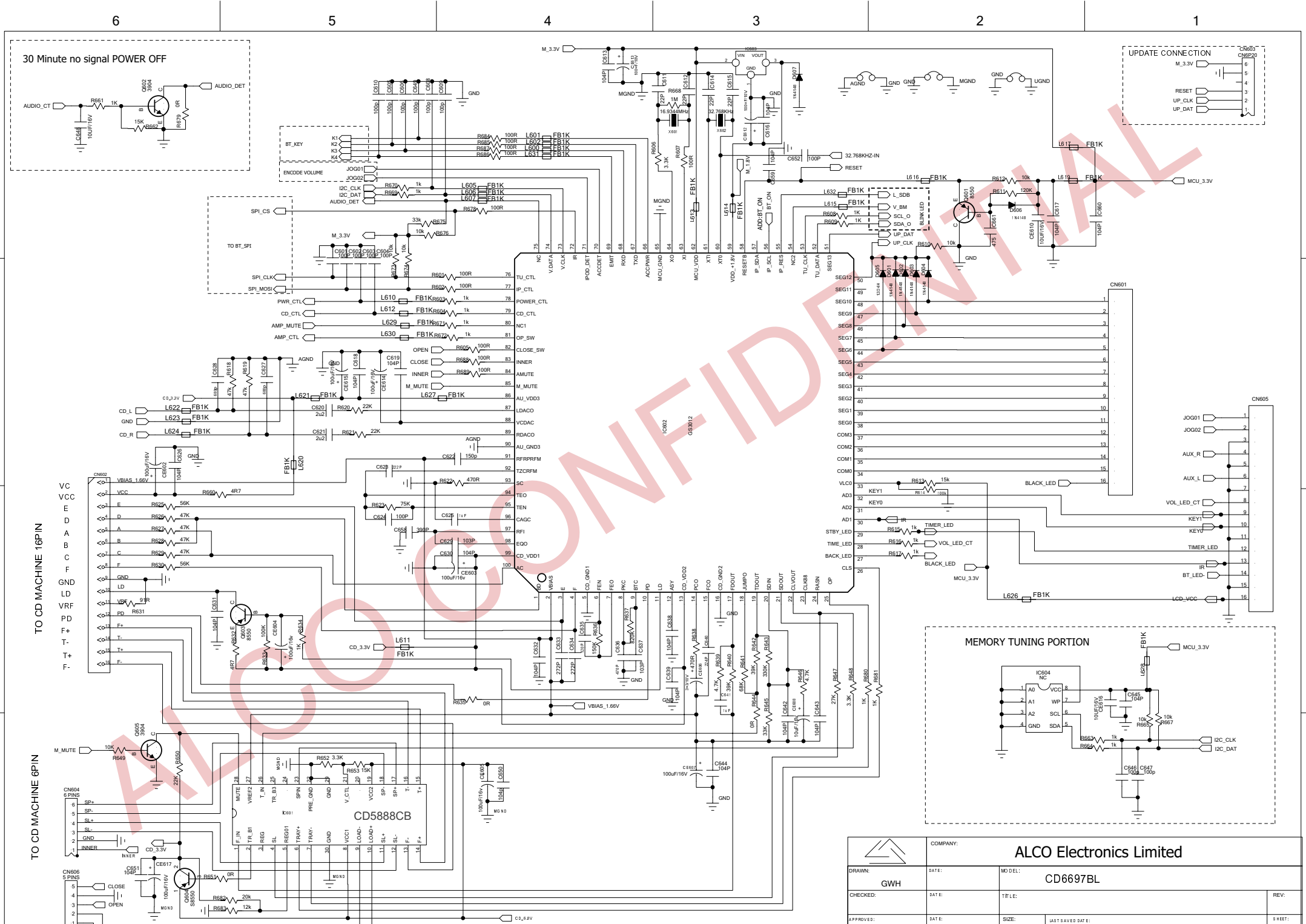
Blink LED control circuit


POWER PORTION



DC_16V

COMPANY: ALCO Electronics Limited	
DRAWN: GWH	MO DEL: CD6697BL
CHECKED:	TITLE:
APPROVED:	SIZE: A2
LAST SAVED DATE: 2014-4-18	
SHEET: 1 of 5	

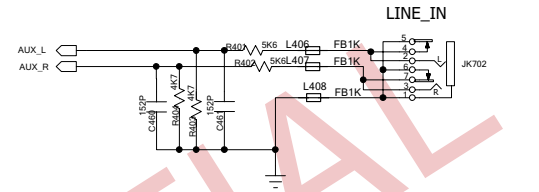
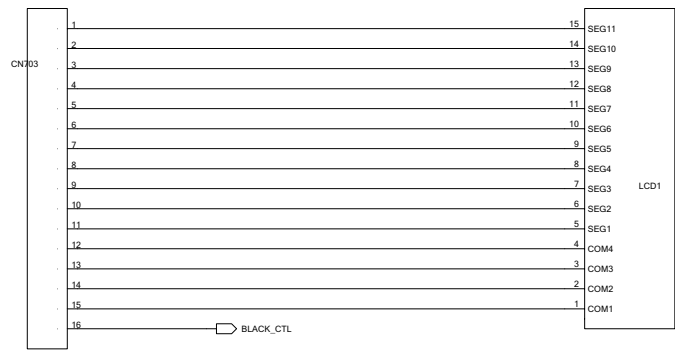


		COMPANY: ALCO Electronics Limited	
DRAWN: GWH	DATE:	MO DEL: CD6697BL	REV:
CHECKED:	DATE:	TITLE:	SHEET: 2 of 5
APPROVED:	DATE:	SIZE: A2	LAST SAVED DATE: 2014-4-18

6 5 4 3 2 1

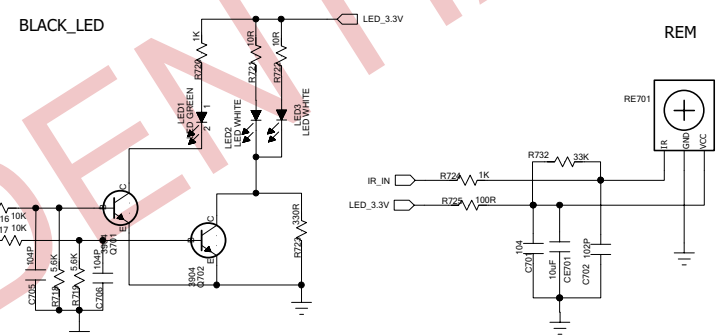
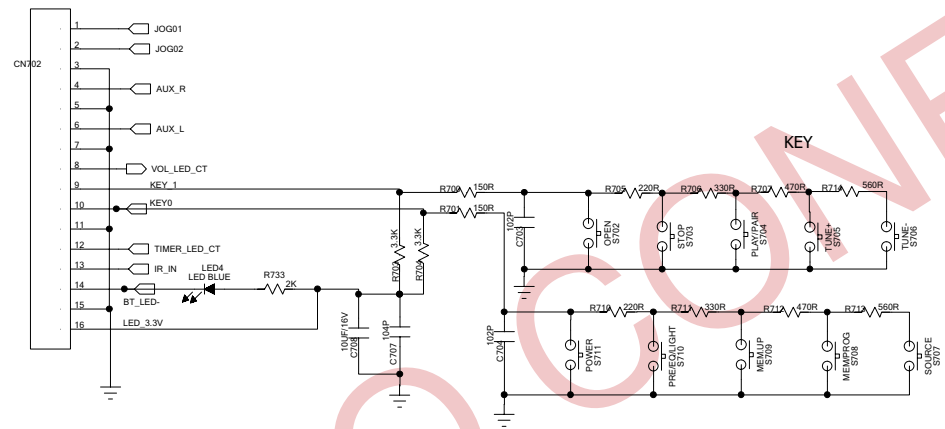
D

D



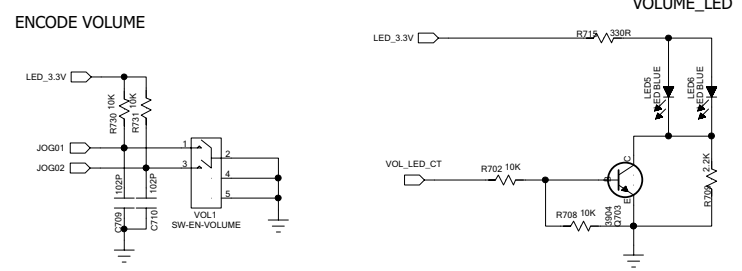
C

C



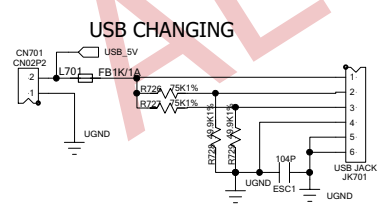
B

B



A

A



		COMPANY: ALCO Electronics Limited	
DRAWN: GWH	DATE:	MO DEL: CD6697BL	REV:
CHECKED:	DATE:	TITLE:	SHEET: 3 of 5
APPROVED:	DATE:	SIZE: A2	LAST SAVED DATE: 2014-4-18

D

C

B

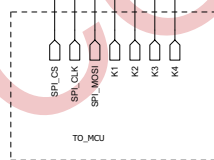
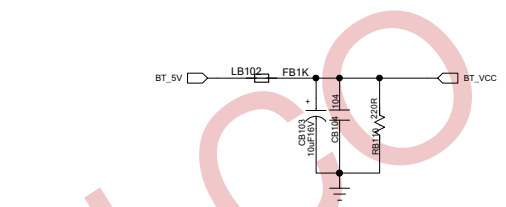
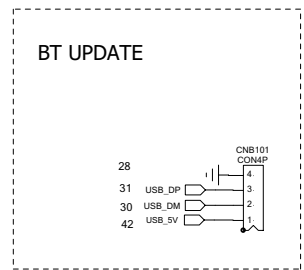
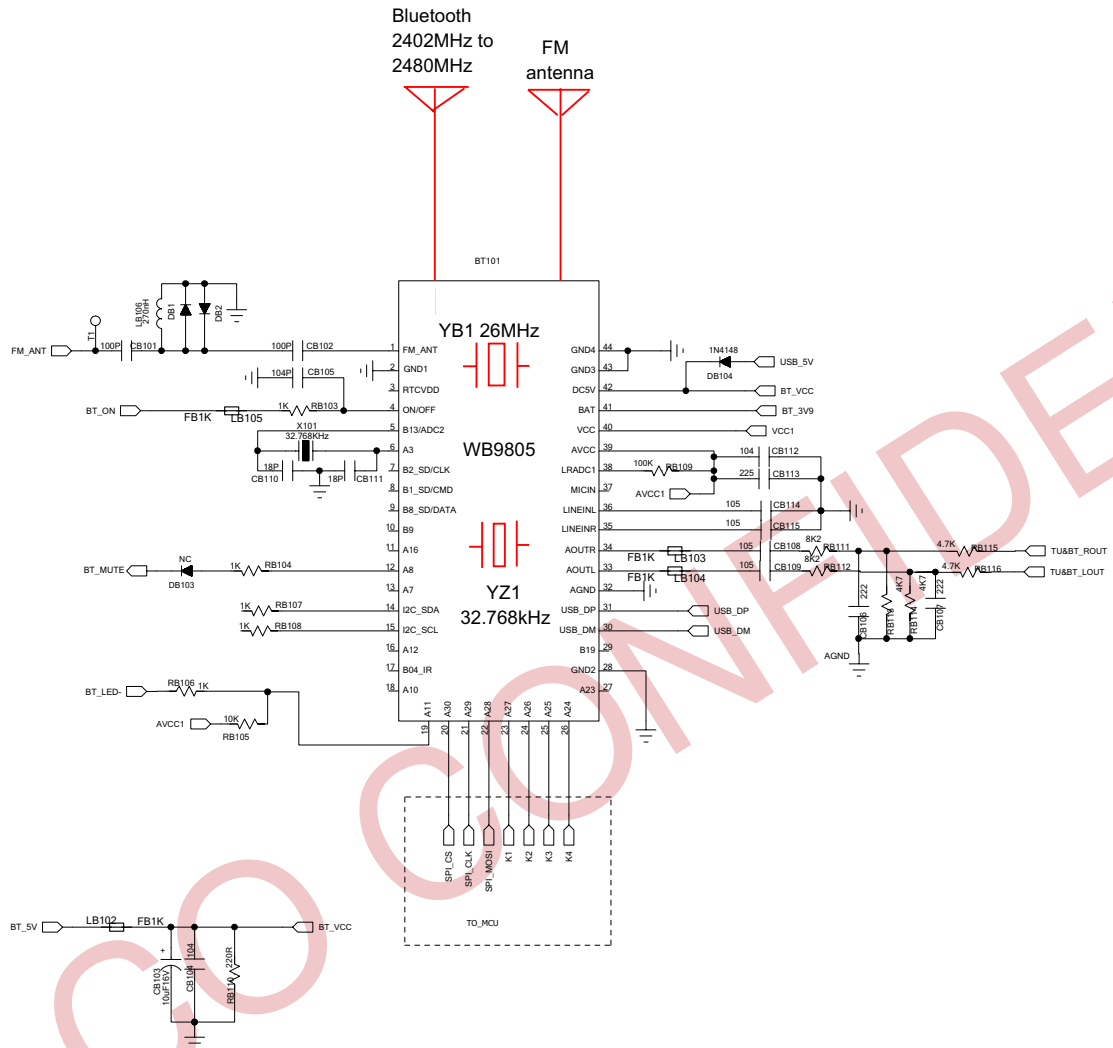
A

D

C

B

A



ALCO

		COMPANY: ALCO Electronics Limited	
DRAWN: GWH	DATE:	MODEL: CD6697BL	REV:
CHECKED:	DATE:	TITLE:	SHEET: 4 of 5
APPROVED:	DATE:	SIZE: A2	LAST SAVED DATE: 2014-4-18

6

5

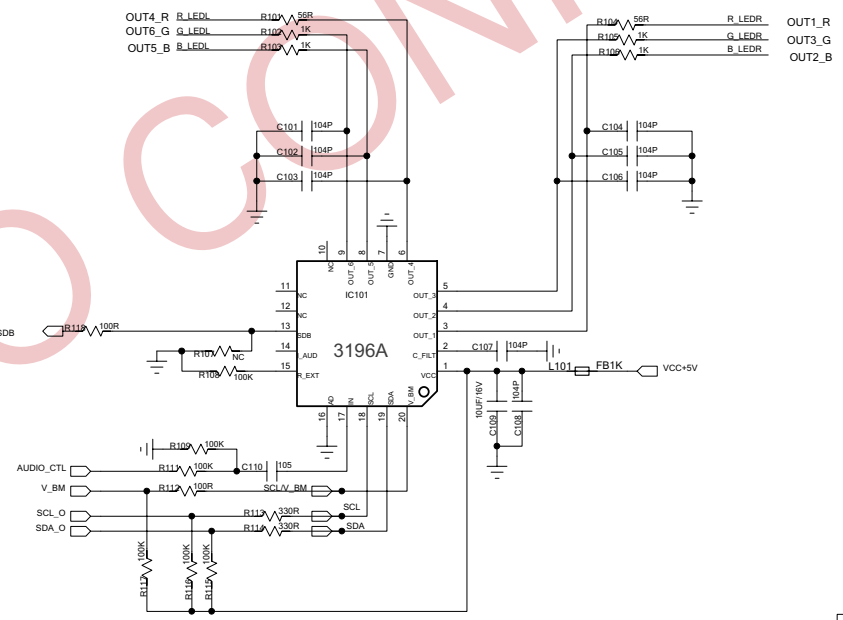
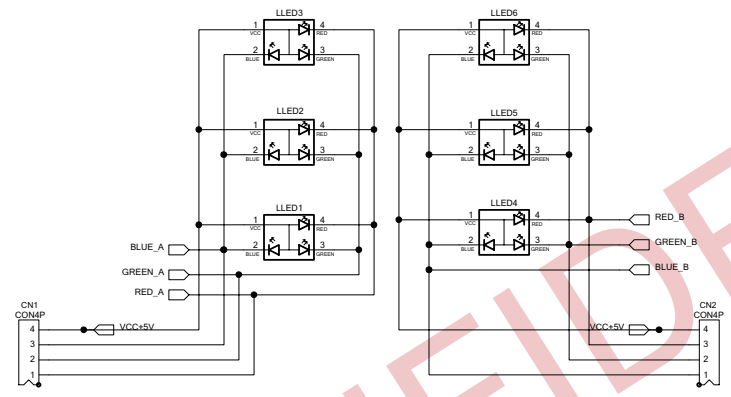
4

3

2

1

REVISION RECORD			
LTR	ECO NO:	APPROVED:	DATE:



ALCO CONFIDENTIAL

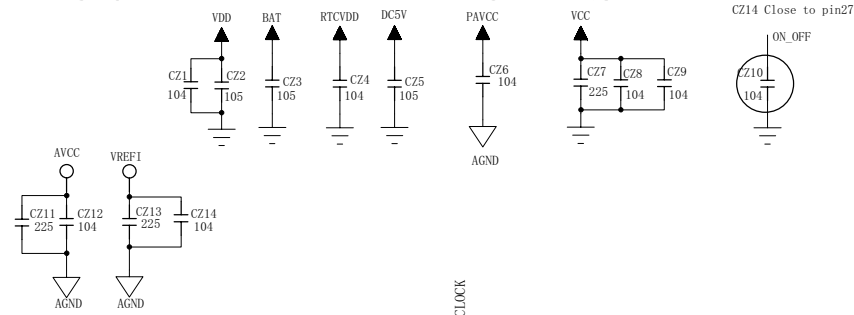
COMPANY:

TITLE: **LED BLINK CIRCUIT DIAGRAM**

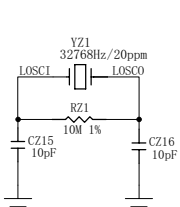
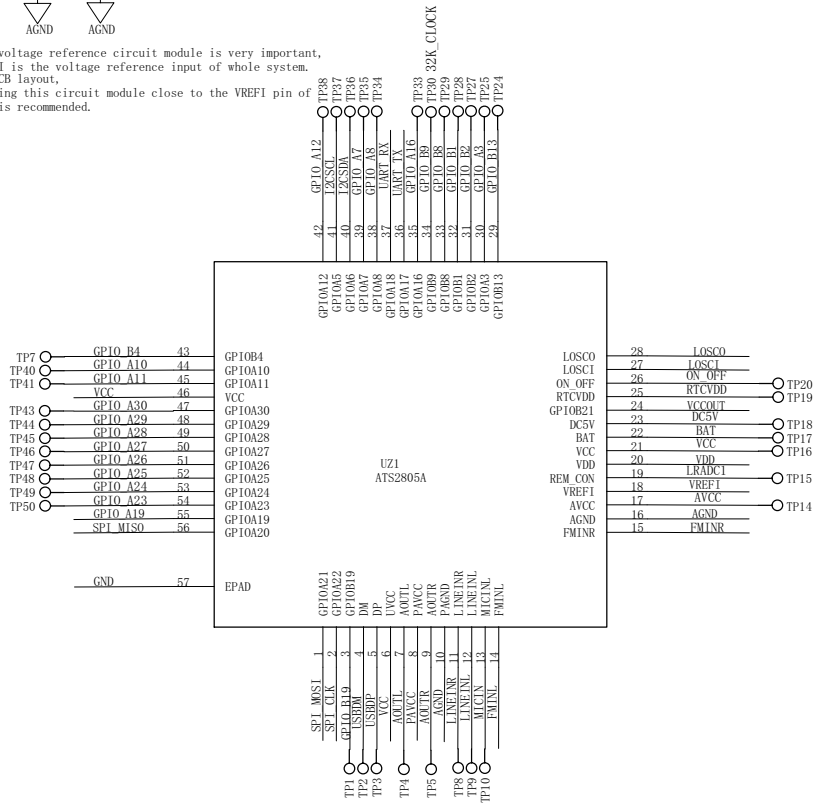
DRAWN: GWH	DATED:
CHECKED:	DATED:
QUALITY CONTROL:	DATED:
RELEASED:	DATED:

CODE:	SIZE: A2	DRAWING NO:	REV:
SCALE:		SHEET: 5 of 5	

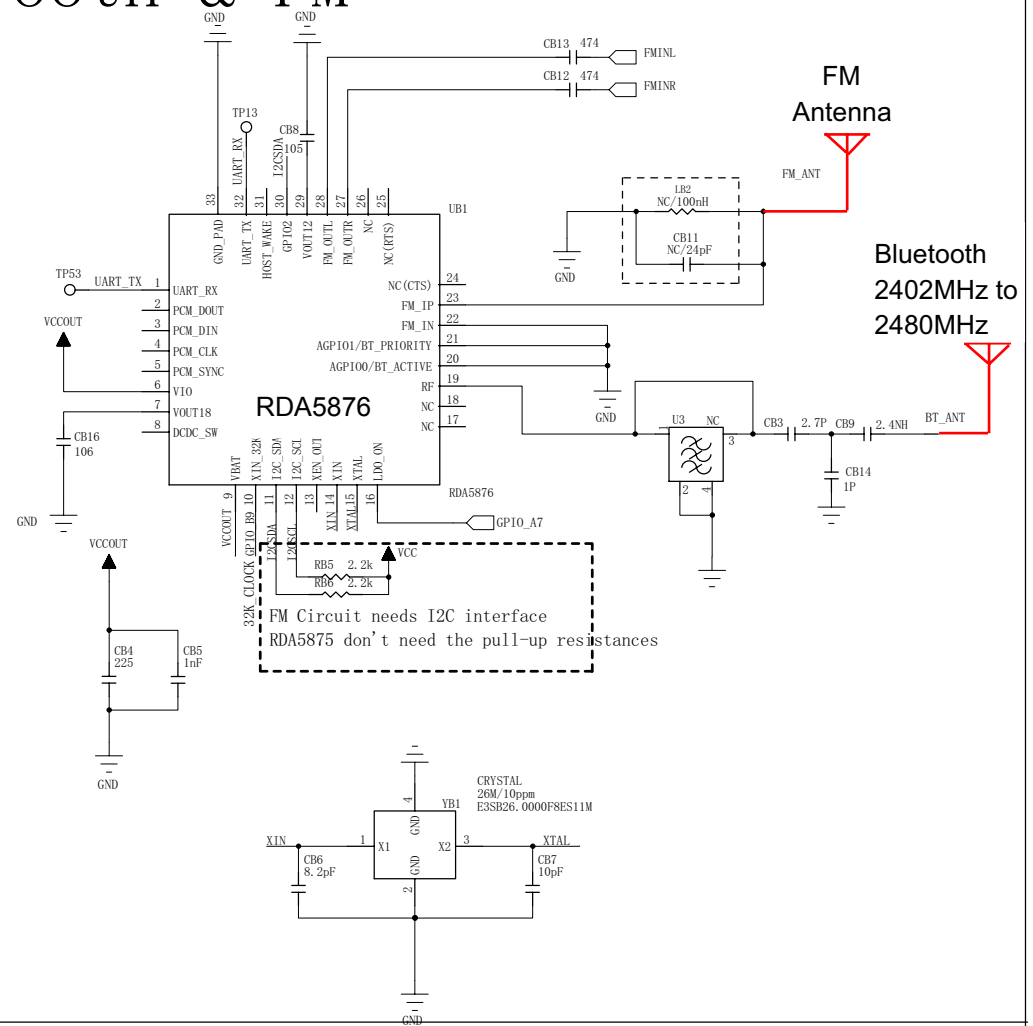
MCU and Audio DSP



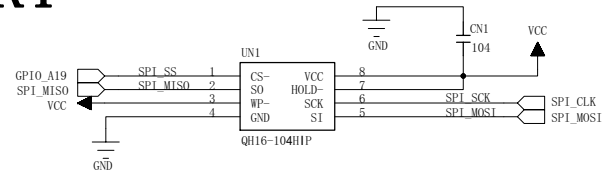
The voltage reference circuit module is very important, VREF1 is the voltage reference input of whole system. In PCB layout, placing this circuit module close to the VREF1 pin of MCU is recommended.

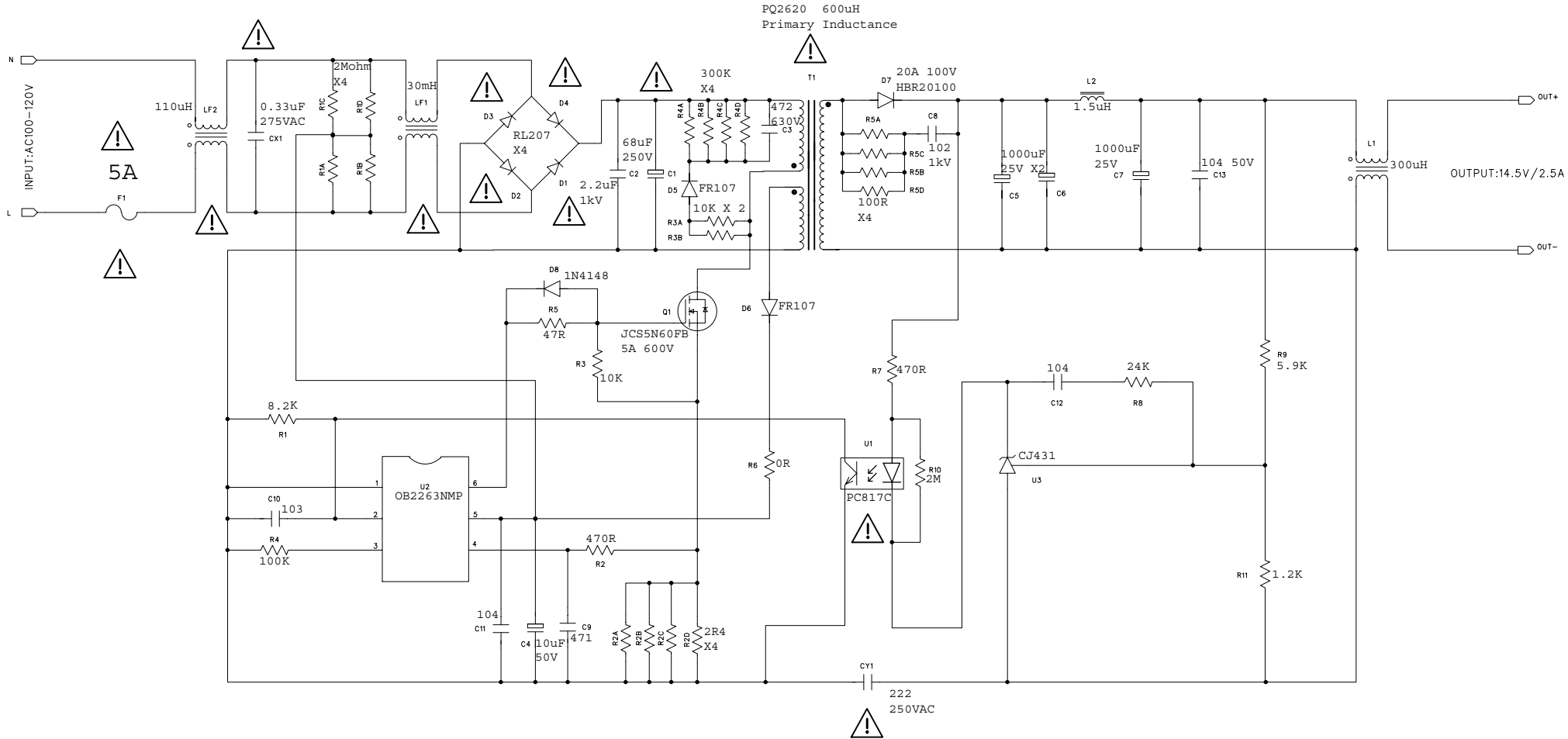


BlueTooth & FM



MEMORY





Power Supply

COMPANY:	UPRITE ELECTRONICS CO.,LTD
TITLE:	CD6697BL
SCALE:	SHEET: 1 OF 1