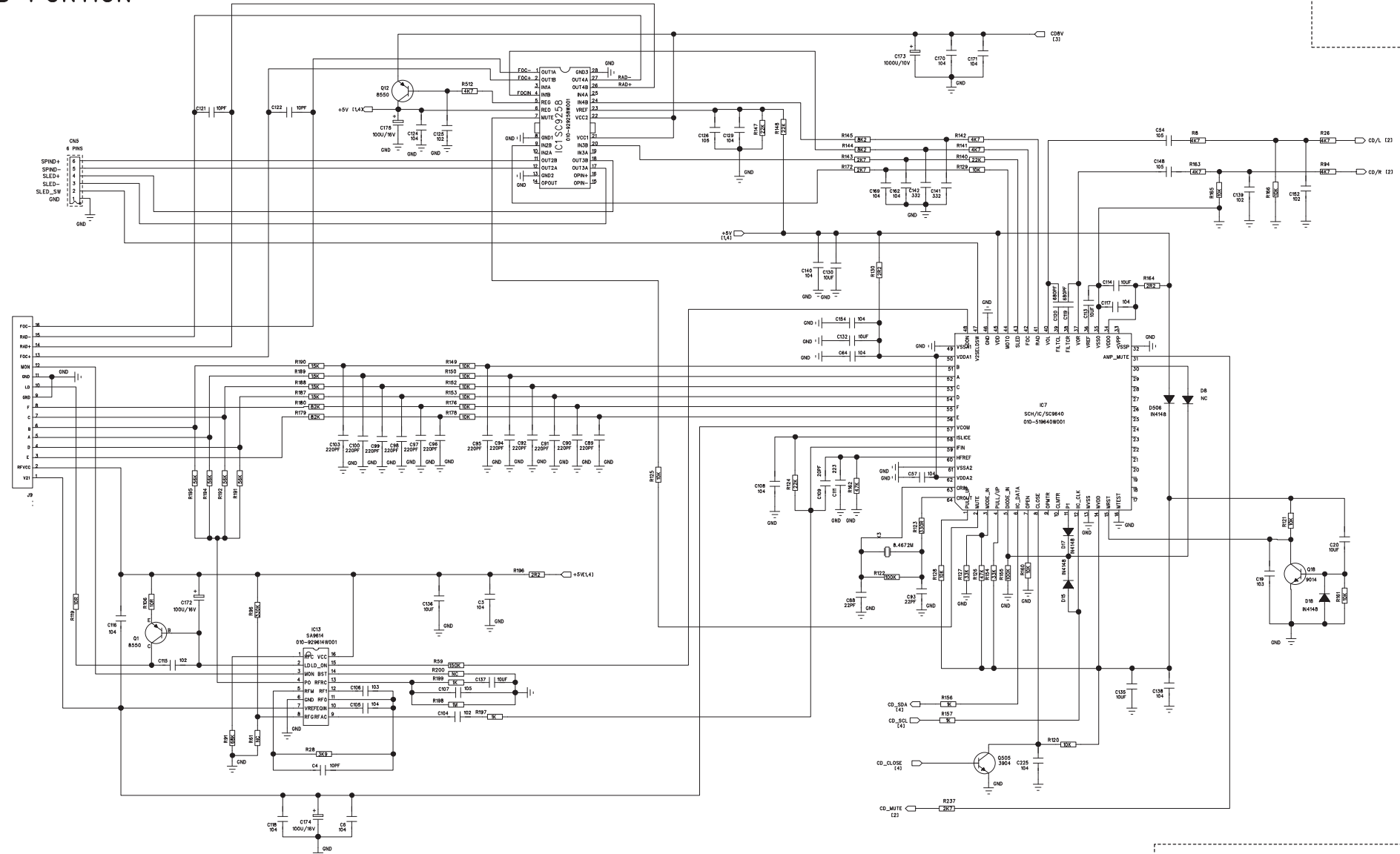



CD PORTION

REVISION RECORD			
LTR	ECO NO.	APPROVED	DATE



ALCO CONFIDENTIAL

	PREPARED BY: JH1 DATE: 09/12/94 CHECKED BY: JH1 DATE: 09/12/94 APPROVED BY: JH1 DATE: 09/12/94 REVISION: 1	PROJECT NO: CD2767BE2 DRAWING NO: CD2767BE2 PRODUCT NAME: CD PORTION	REV: 1 SCL: AA SCL: AA REV: 1
---	--	--	--

6

5

4

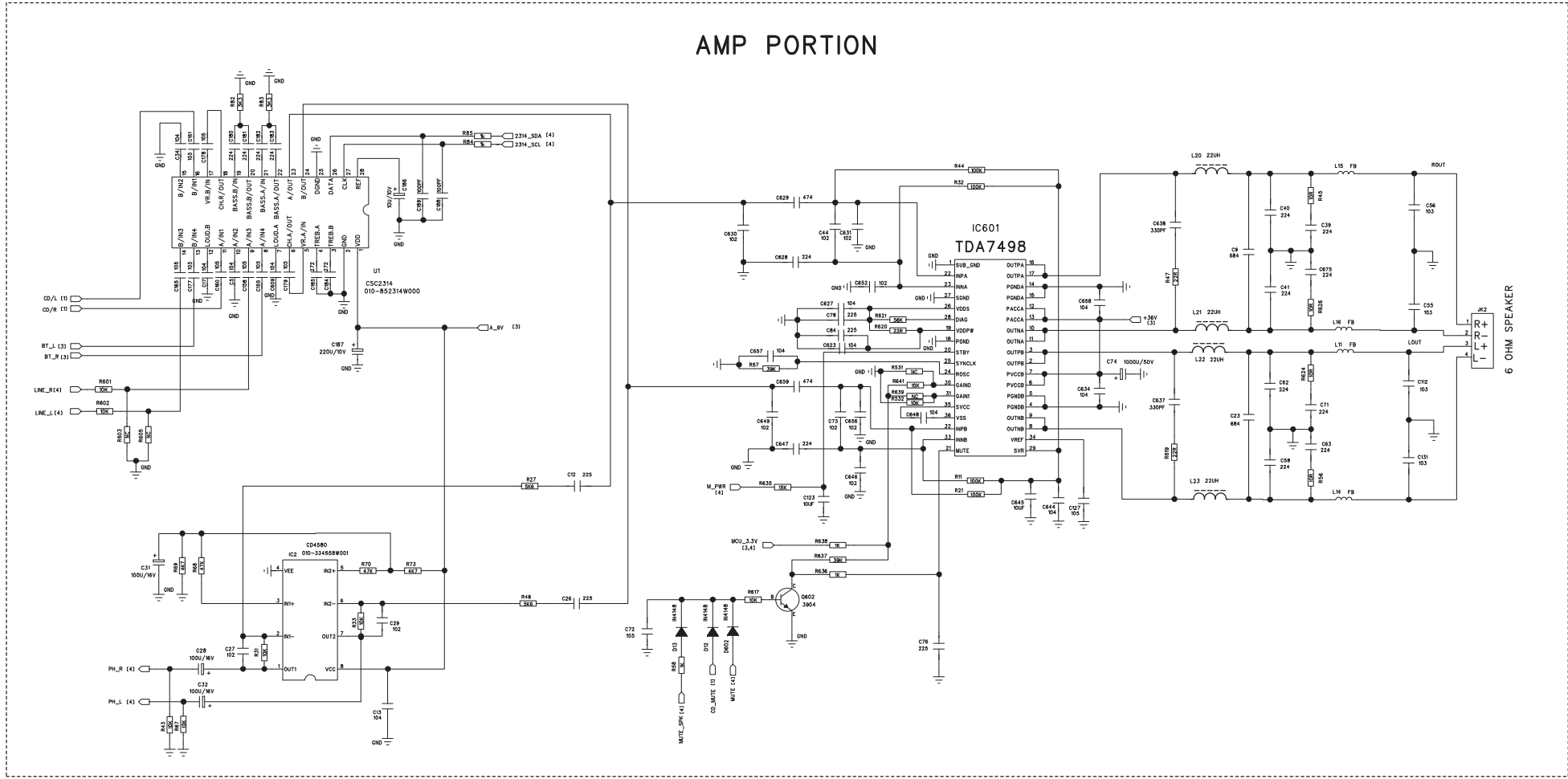
3

2

1

REVISION RECORD			
LTR	ECD NO.	APPROVED:	DATE:

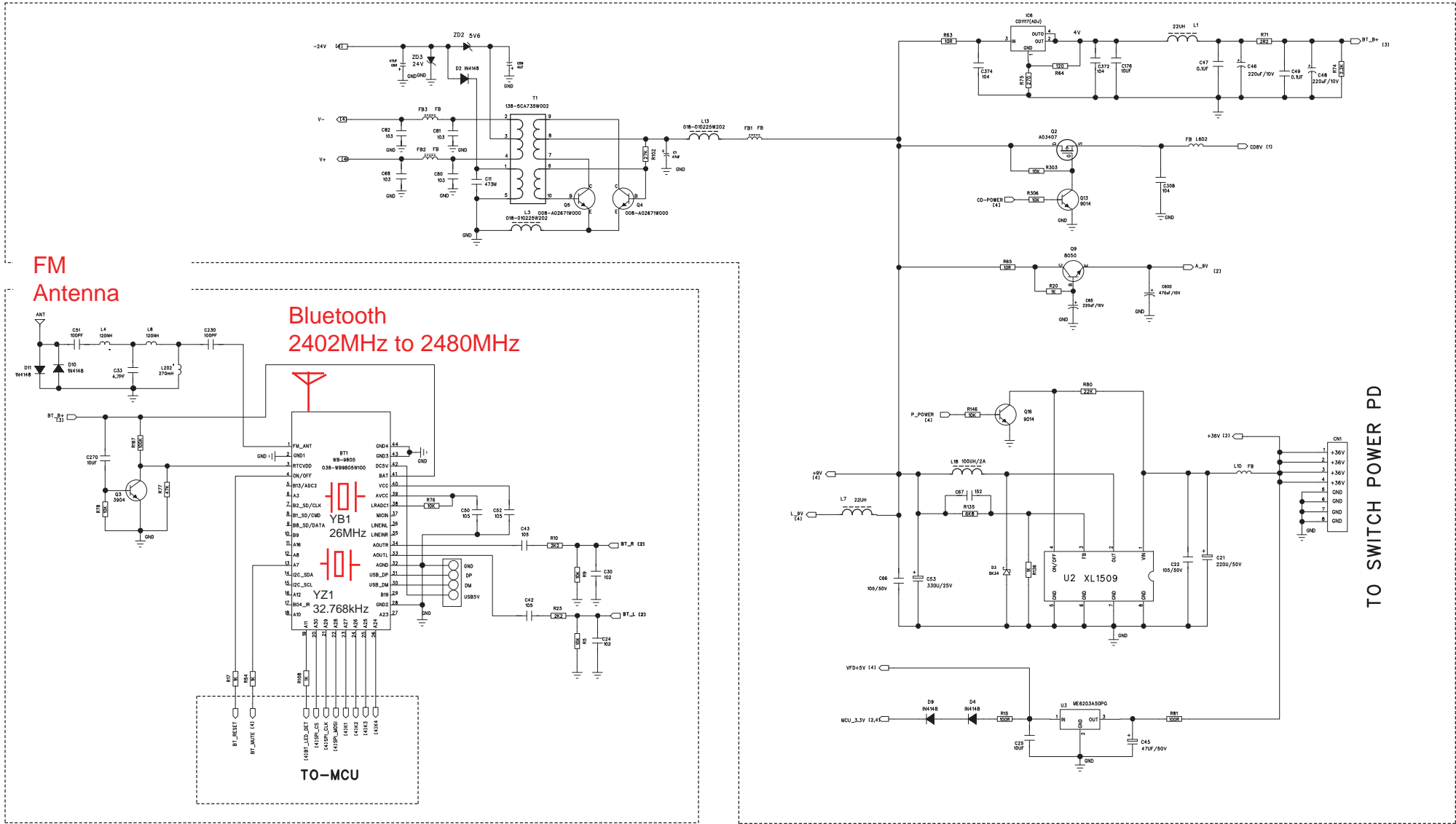
AMP PORTION



ALCO CONFIDENTIAL

COPYRIGHT		REVISION BY:	DATE:	ALCO ELECTRONICS LIMITED	REV:	1
DESIGNED BY:		DATE:	REVISED BY:	CD2767BE2	REV:	4A
APPROVED BY:		DATE:	CUSTOMER MODEL NO.:		REVISED BY:	
RECEIVED DATE:		REV:	DATE:	PRODUCT NAME:	REVISED BY:	

REVISION RECORD			
LTR	ECD NO.	APPROVED:	DATE:



FM
Antenna

Bluetooth
240MHz to 2480MHz

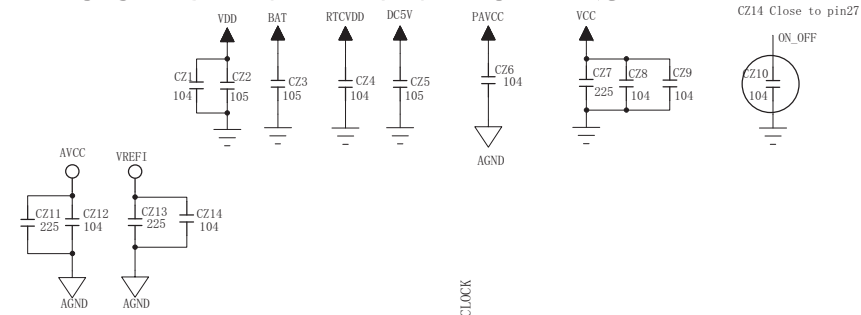
TO SWITCH POWER PD

TO-MCU

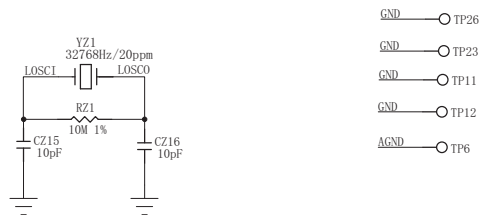
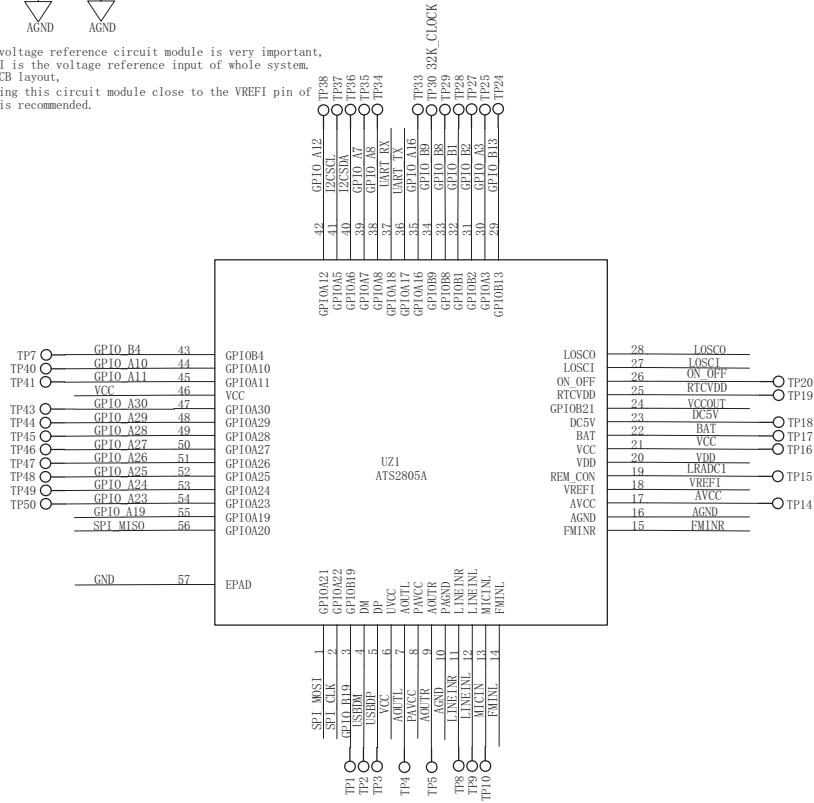
ALCO CONFIDENTIAL

DESIGNED BY: [Signature]	REVISION NO: 01	DATE: 2014/02/28	PROJECT NO: CD2767BE2
APPROVED BY: [Signature]	DESIGNER: [Signature]	DATE: [Signature]	REVISION NO: [Signature]
RECEIVED DATE: [Signature]	REVISION: 1/4/11	PRODUCT NAME: [Signature]	SCALE: 1/1

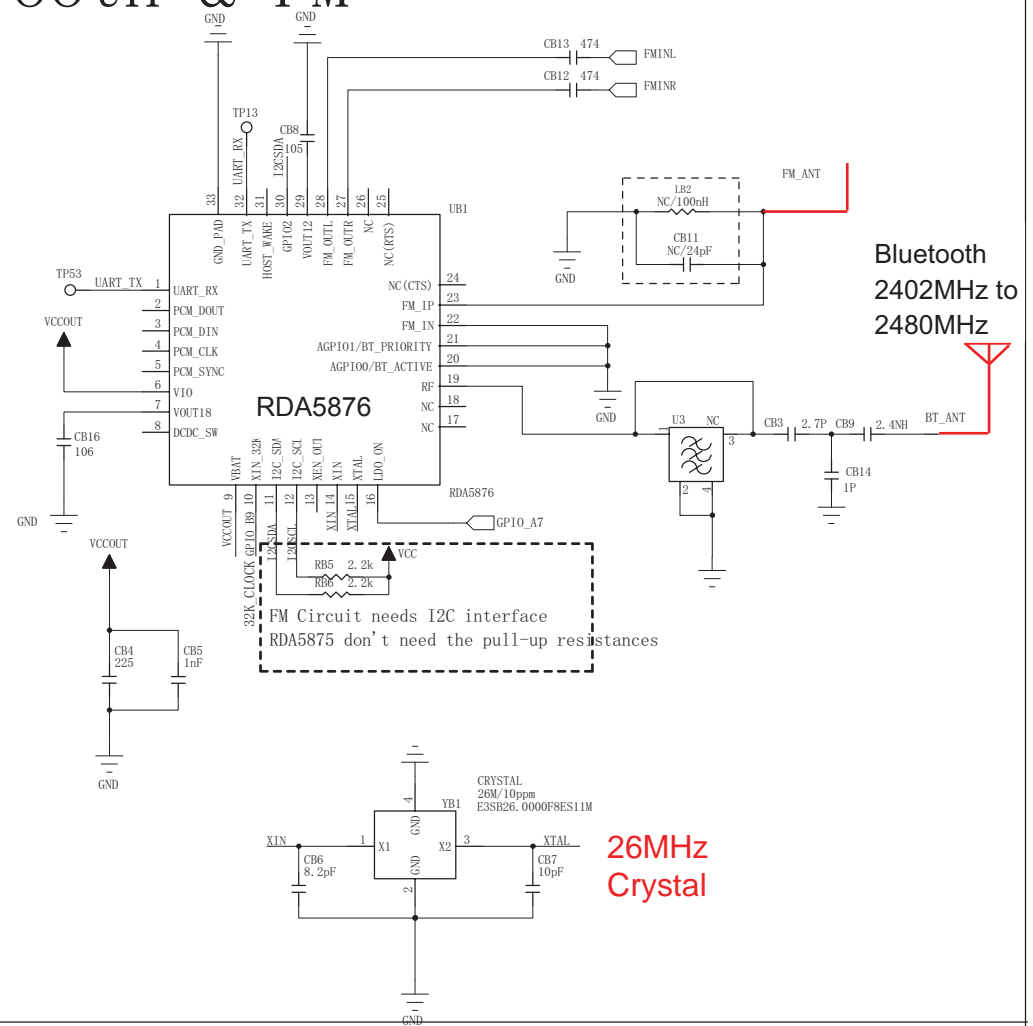
MCU and Audio DSP



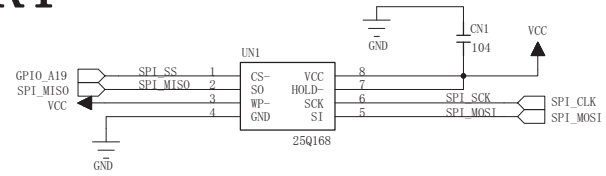
The voltage reference circuit module is very important, VREF1 is the voltage reference input of whole system. In PCB layout, placing this circuit module close to the VREF1 pin of MCU is recommended.



Bluetooth & FM



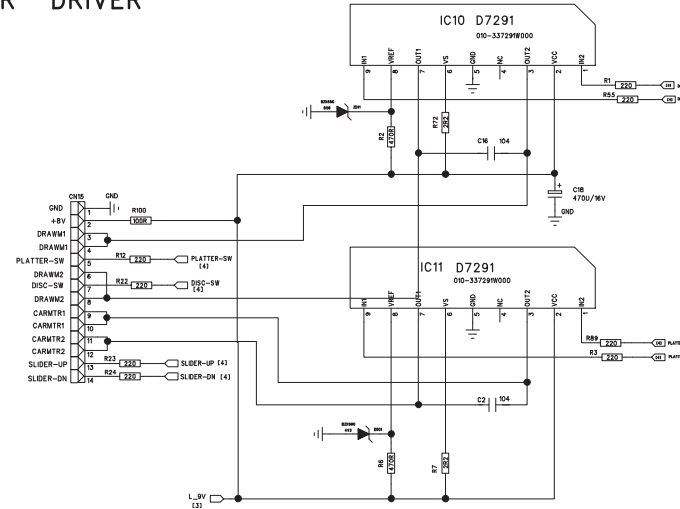
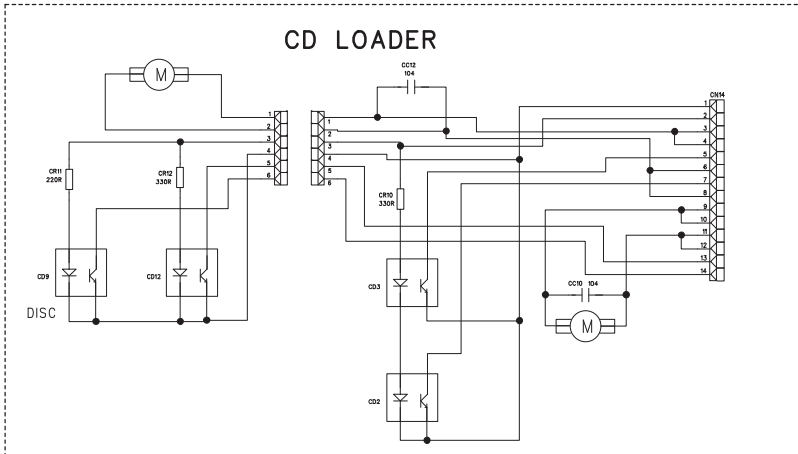
MEMORY



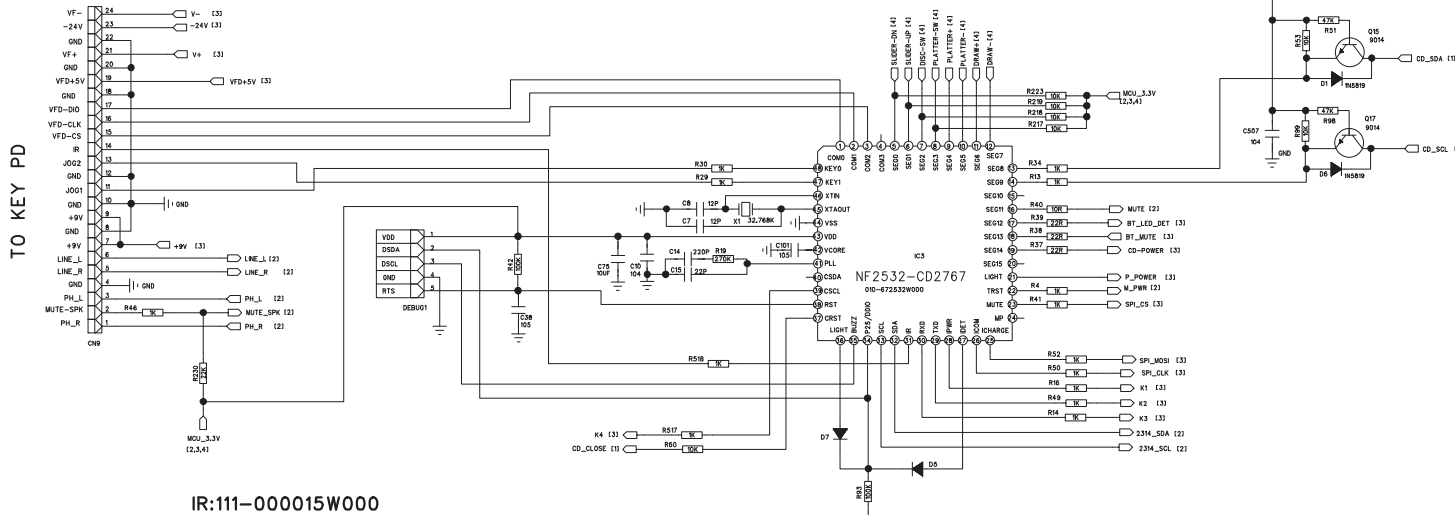
REVISION RECORD			
LTR	ECD NO.	APPROVED	DATE

CD LOADER DRIVER

CD LOADER



MCU PORTION

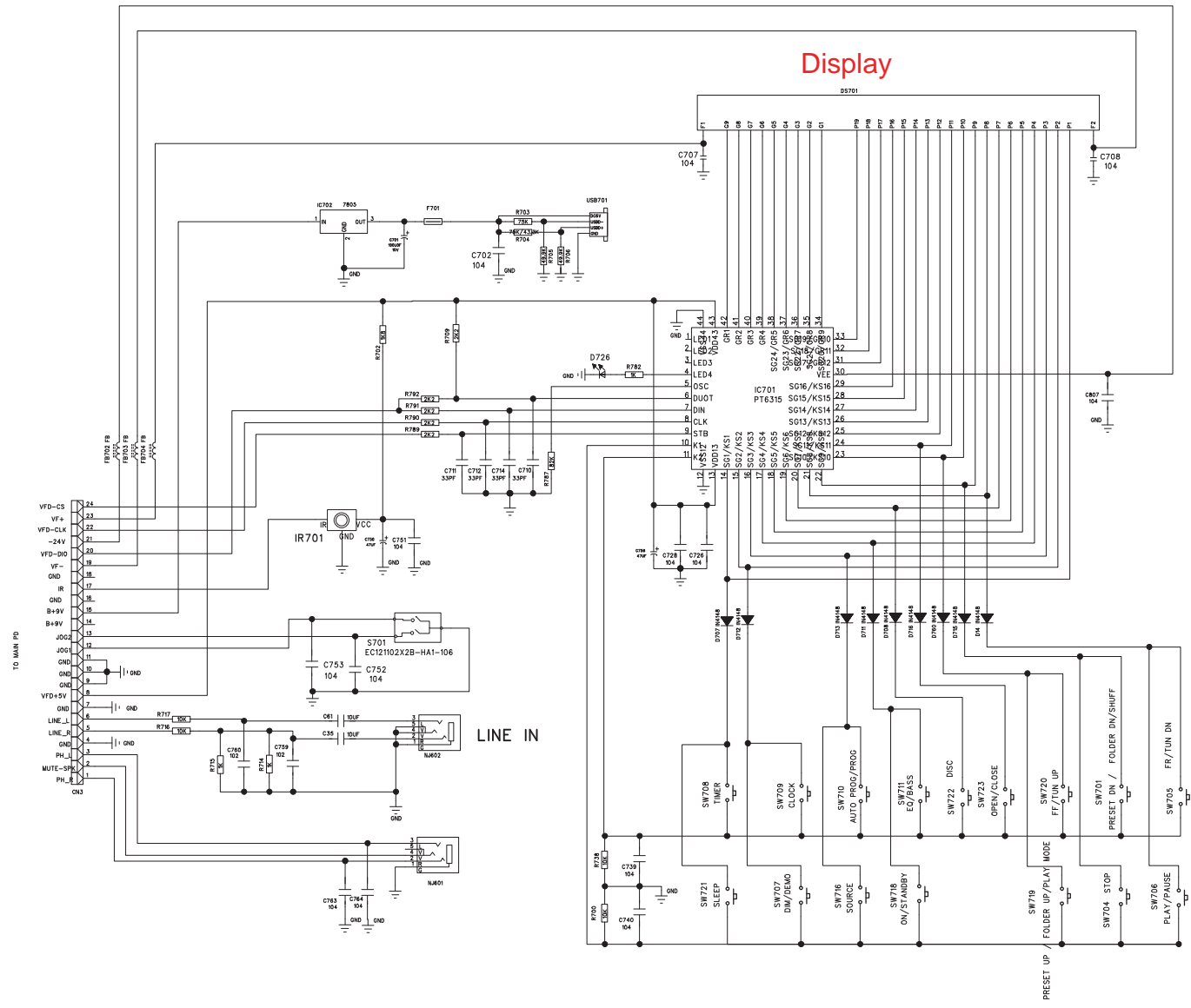


IR:111-000015W000

ALCO CONFIDENTIAL

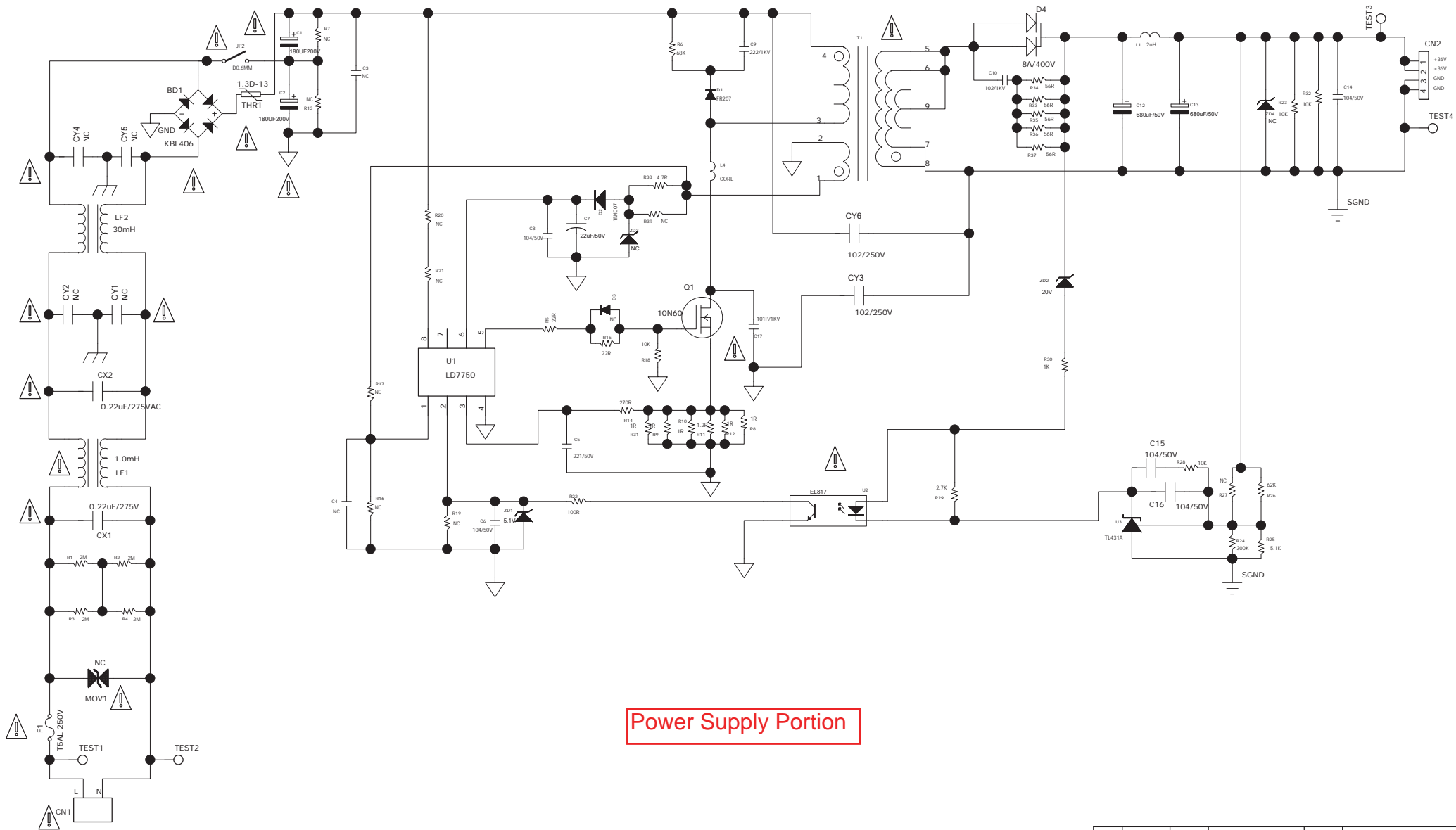
DESIGNER	DATE	REV	DESCRIPTION

REVISION RECORD			
LTR	ECD NO.	APPROVED:	DATE:



ALCO CONFIDENTIAL

	DESIGNED BY:	REVISED BY:	ALCO ELECTRONICS LIMITED	
	CHECKED BY:	DATE:	DATE:	REV: 1
	APPROVED BY:	DATE:	CD2676BE2	REV: 4A
	RECEIVED DATE:	REV: 1/4/91	PRODUCT NAME:	DATE:



Power Supply Portion

AC IN: 100-132V DIP2

VER	REASON	BY	SIGNATURE	DATE	SHENZHEN ACT INDUSTRIAL CO.,LTD
A/0	第一次下发	欧阳晓明	DESIGN: 欧阳晓明	2014-8-06	MODEL: CD2767-01 V1.0
			APPROVED:		TITLE: CD2767-01 V1.0 SCH-1
					VER: A/0 PAGE: 1 OF 1