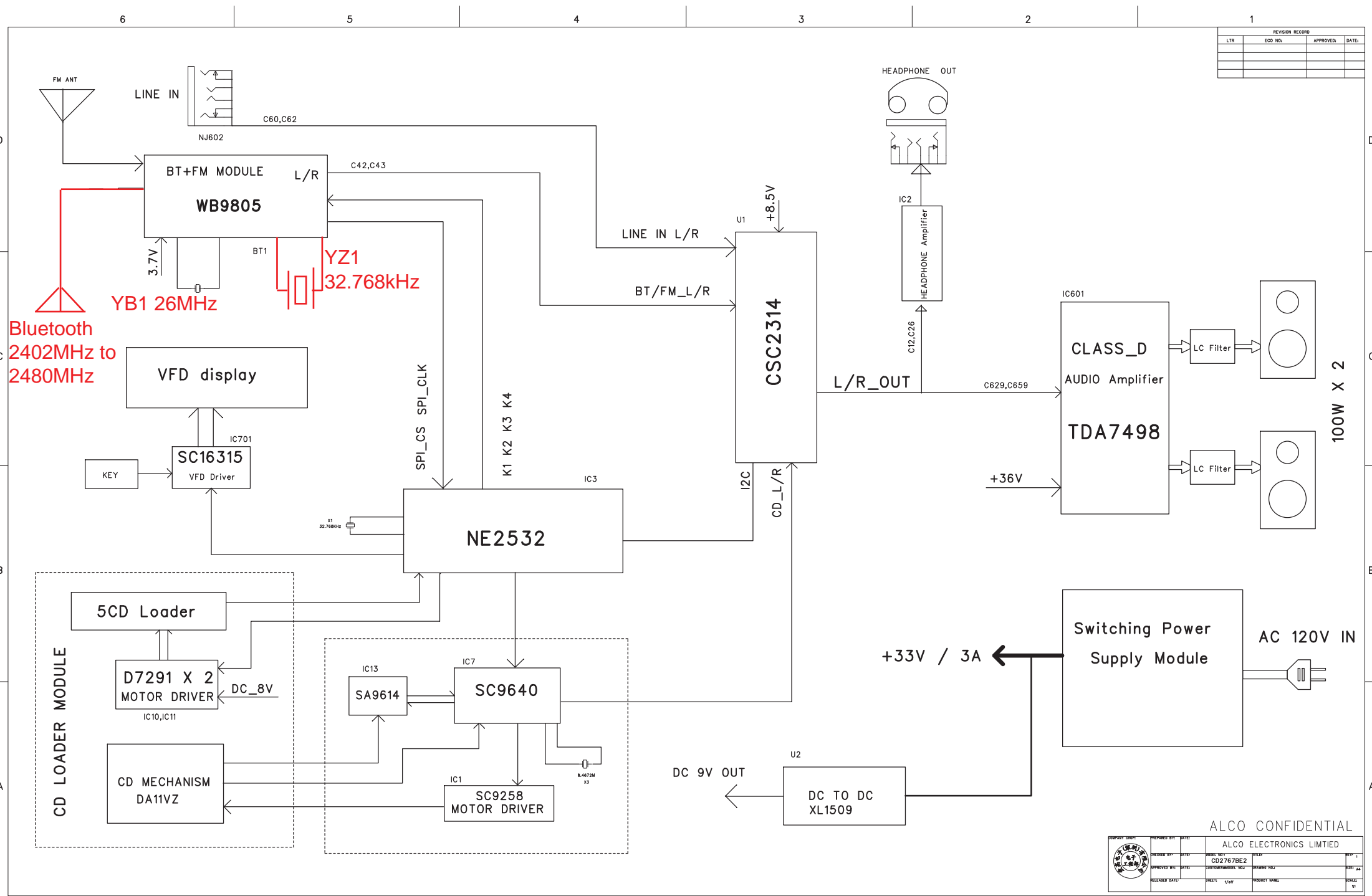


REVISION RECORD			
LTN	ECD NO.	APPROVED:	DATE:



Bluetooth  
2402MHz to  
2480MHz

YB1 26MHz

YZ1  
32.768kHz

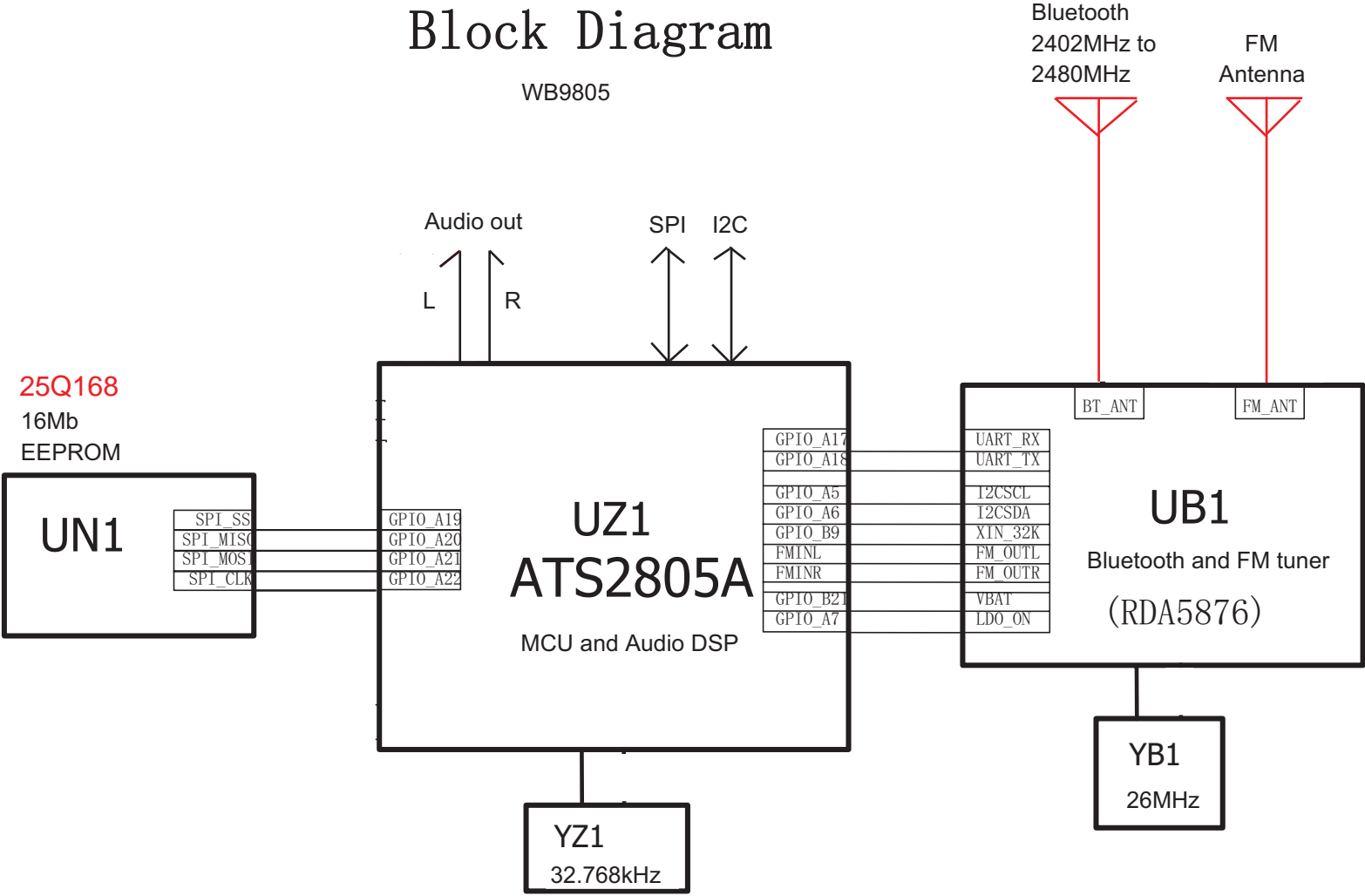
100W X 2

ALCO CONFIDENTIAL

SUPPLY CHAIN		REVISION RECORD	
REVISION NO.	CD2767BE2	APPROVED BY:	DATE:
REVISION DATE:		APPROVED DATE:	
REVISION BY:		REVISION NO.:	
REVISION DATE:		REVISION DATE:	
REVISION BY:		REVISION NO.:	
REVISION DATE:		REVISION DATE:	

# Block Diagram

WB9805



### 3 Bluetooth Section Functional Description

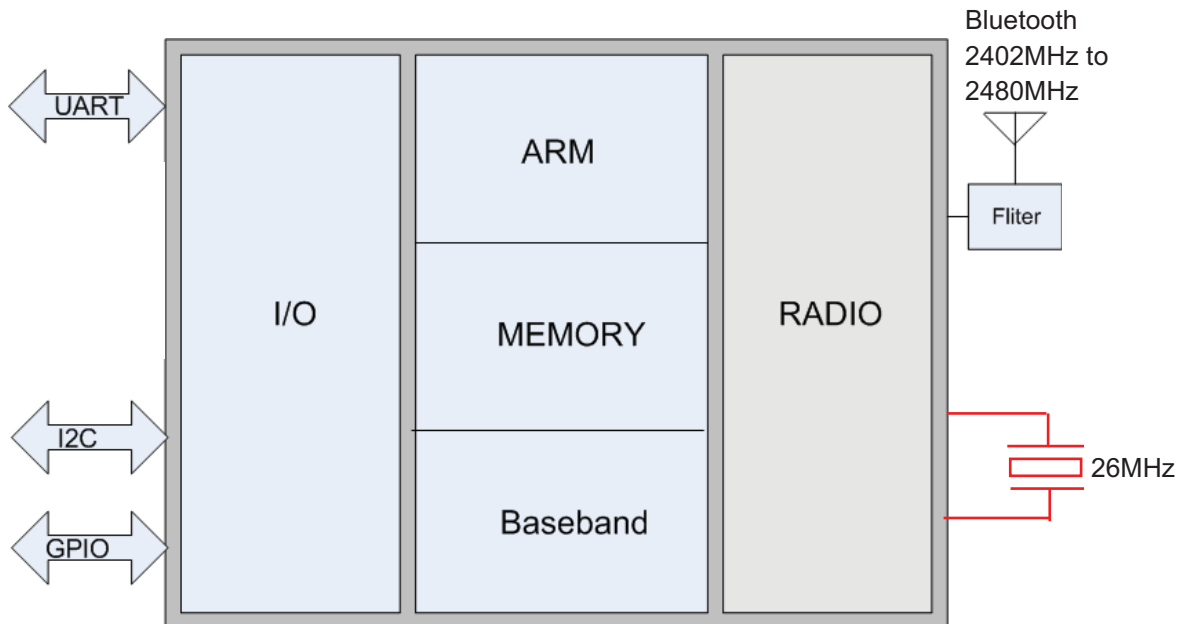


Figure3-1. RDA5876 Bluetooth Block Diagram

RDA5876 is designed for use in UART HCI with handset chipsets. As shown in Figure3-1, RDA5876 integrates radio unit, baseband core, ARM7 core and memory which provides a complete lower Bluetooth protocol stack including the LC, LM and HCI interface.