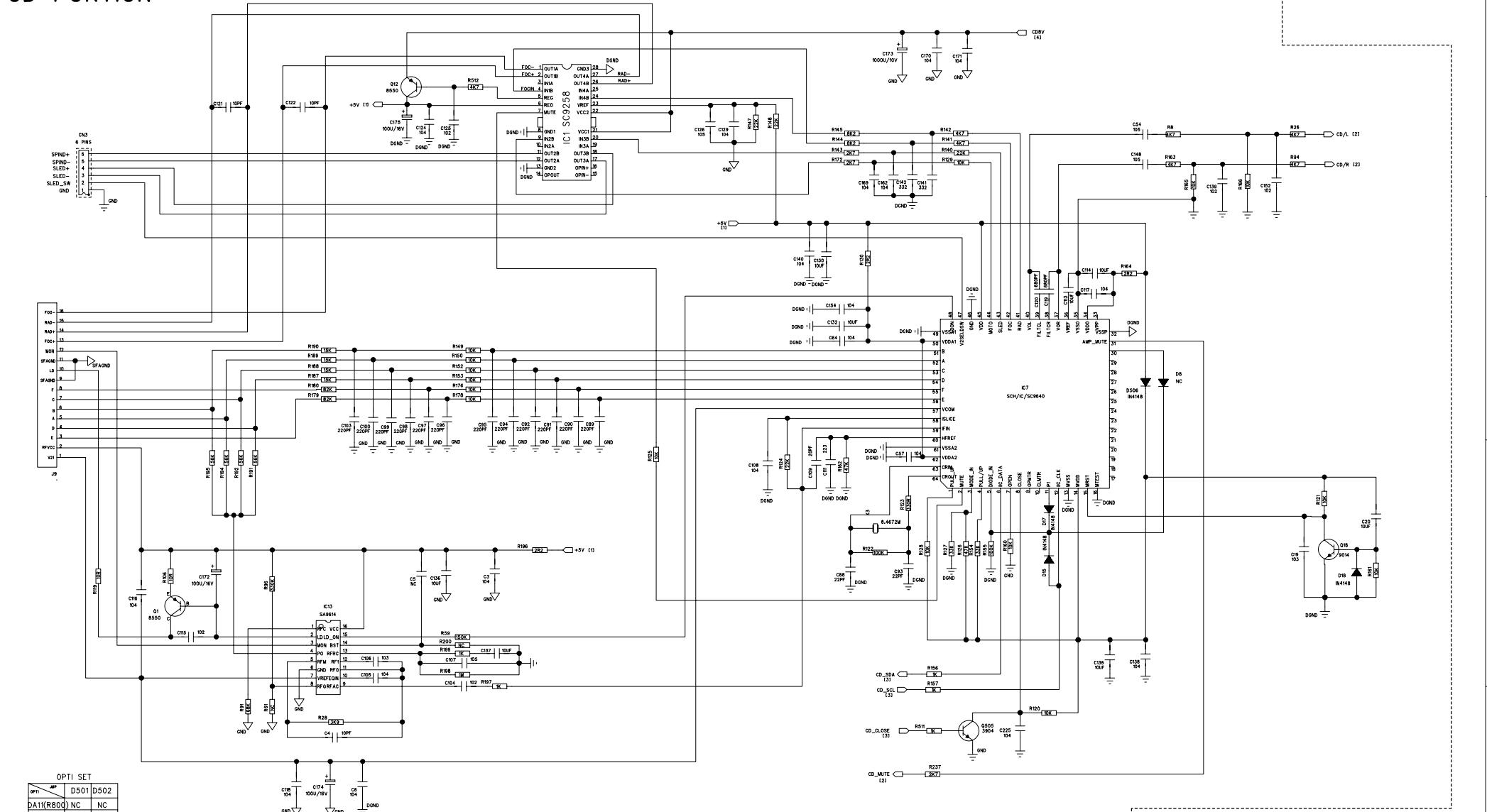


# CD PORTION

REVISION RECORD			
LTR	ECO NO.	APPROVED	DATE



OPTI SET

OPT1	AMP	D501	D502
DA11(RB00)	NC	NC	NC
KSM213	NC	ON	NC
G9350H	ON	NC	NC
G9350	ON	NC	ON

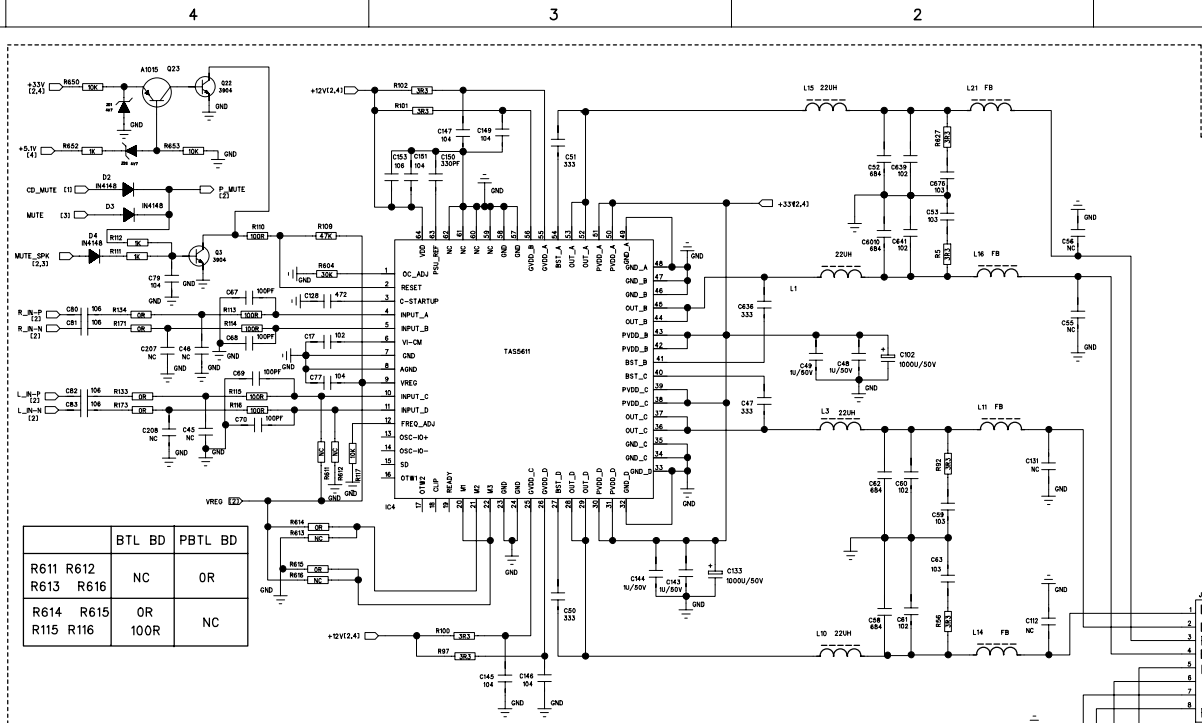
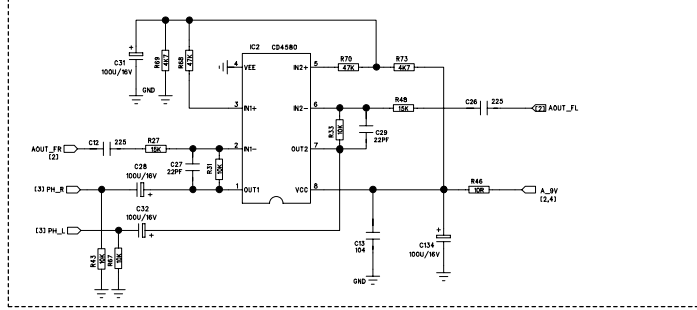
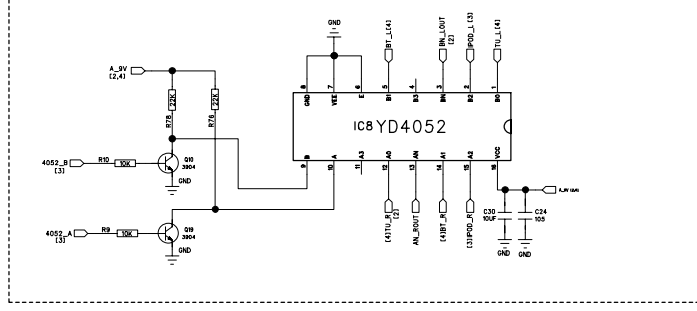
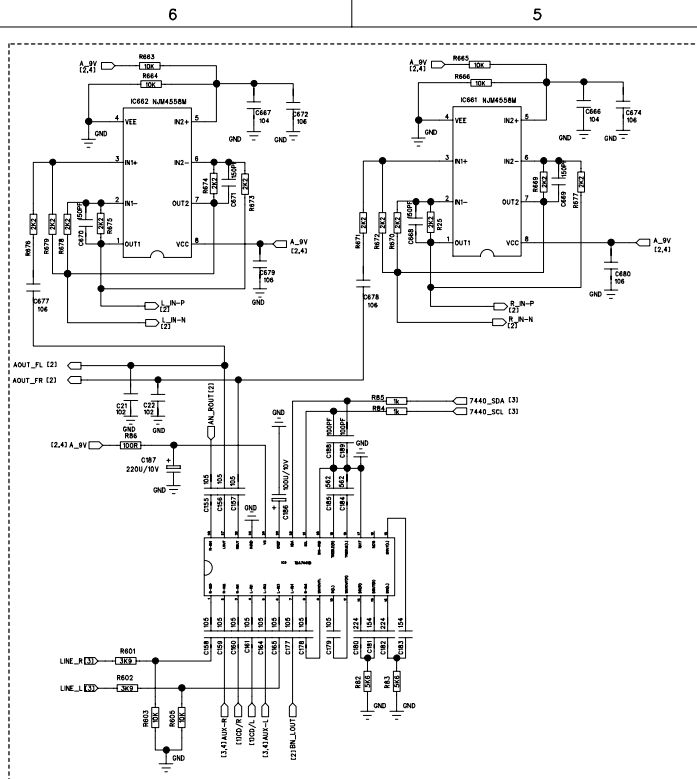
ALCO CONFIDENTIAL

DESIGNED BY:	DATE:	REVISED BY:	DATE:	REVISED BY:	DATE:

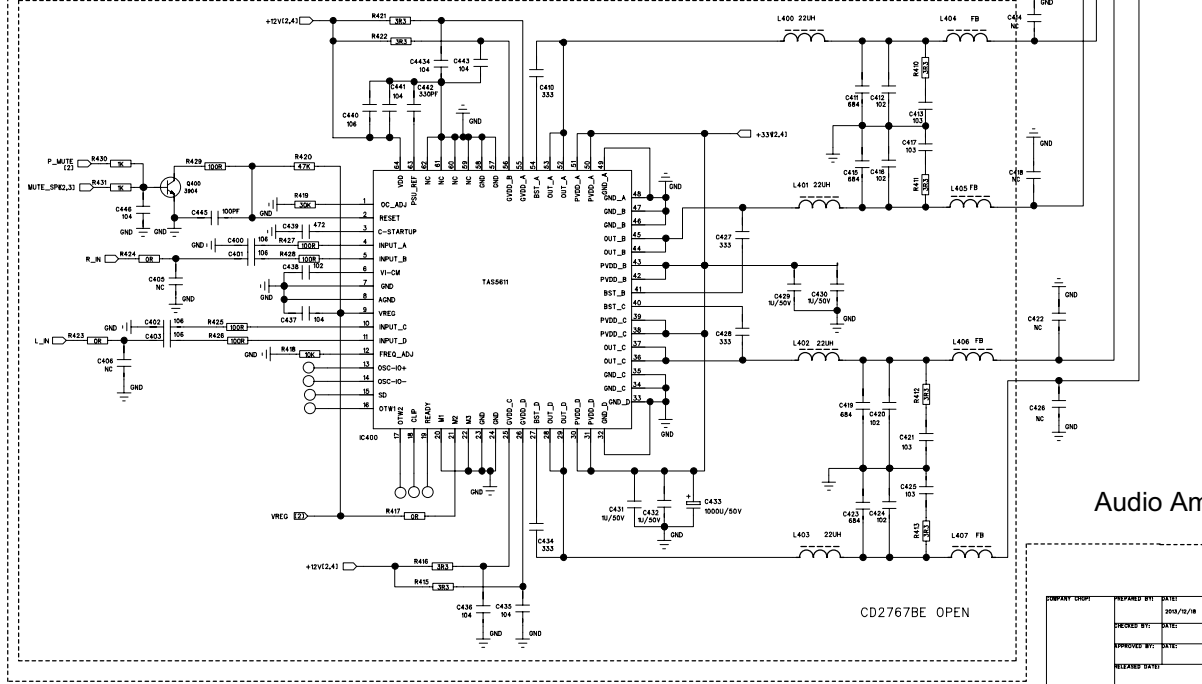


COMPANY CODE: 1941/79/18  
 ALCO ELECTRONICS LIMITED  
 CUSTOMER CODE: CD2767BE  
 PRODUCT NAME: CD2767BE

REVISION RECORD			
LTR	ECO NO.	APPROVED:	DATE:



	BTL BD	PBTL BD
R611 R612	NC	OR
R613 R616		
R614 R615	OR	
R115 R116	100R	NC



6 OHM SPEAKER

Audio Amplifier Portion

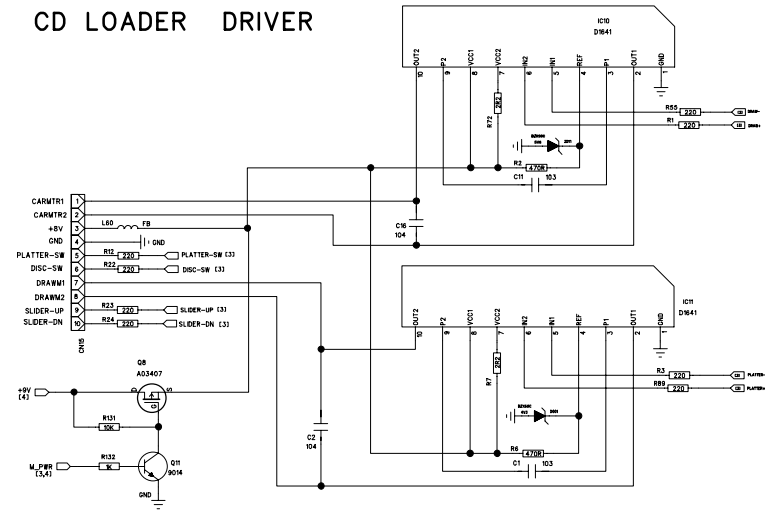
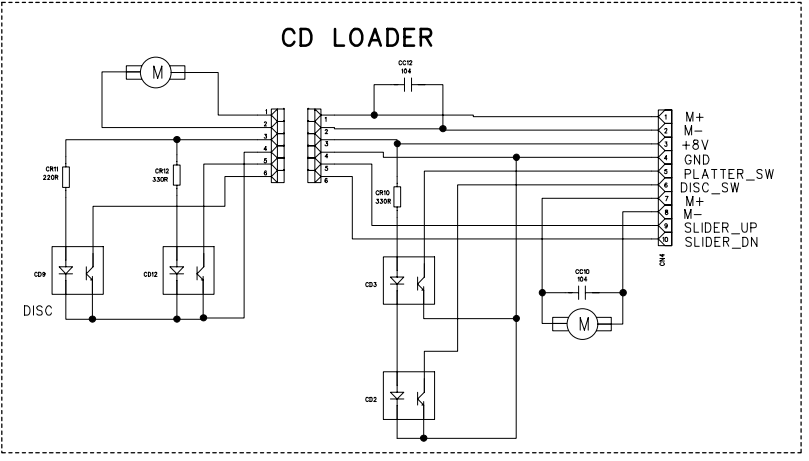
CD2767BE OPEN

ALCO CONFIDENTIAL

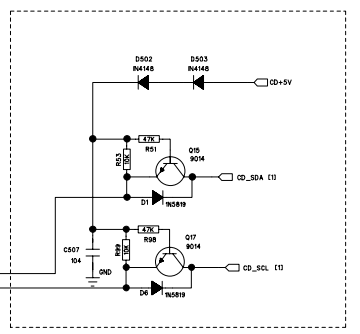
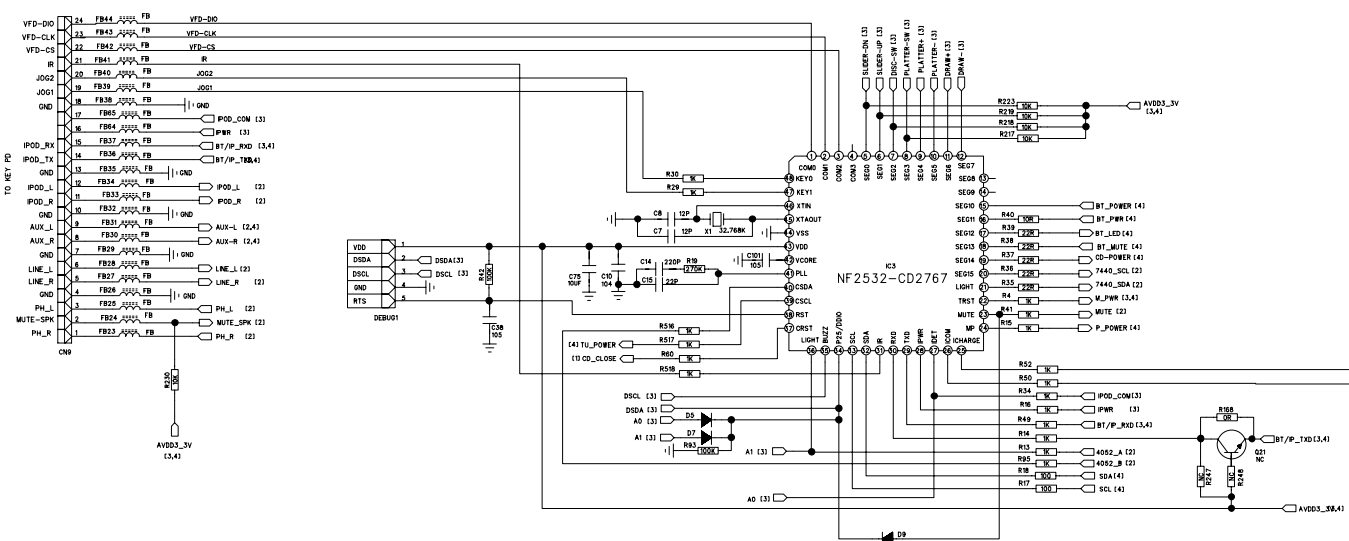
DESIGN	DATE	BY	CHKD	APP'D	REV

REVISION RECORD			
LTR	ECO NO.	APPROVED	DATE

### CD LOADER DRIVER



### MCU PORTION



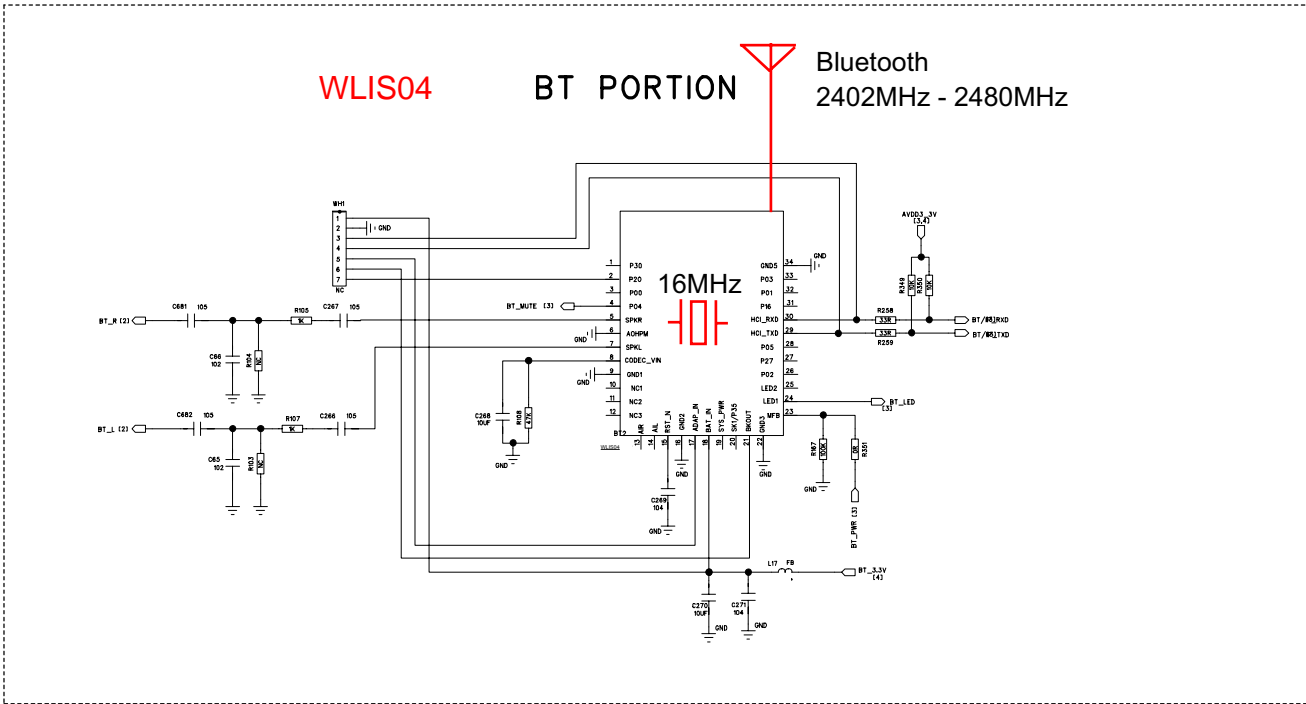
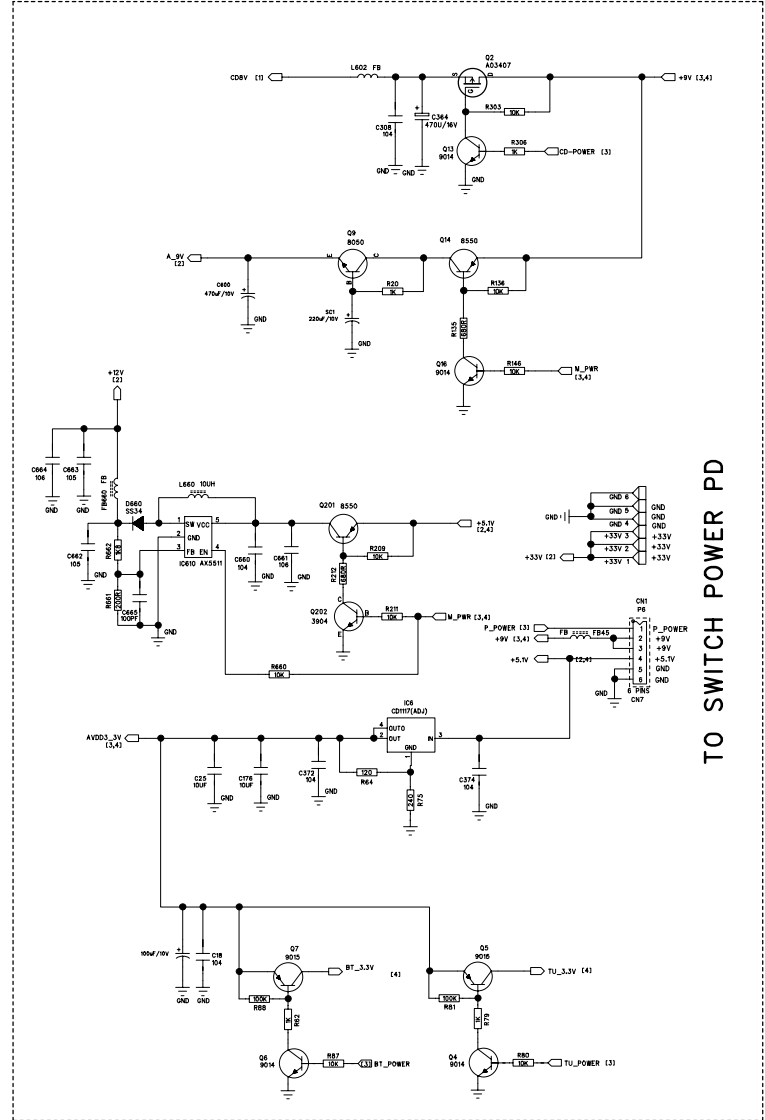
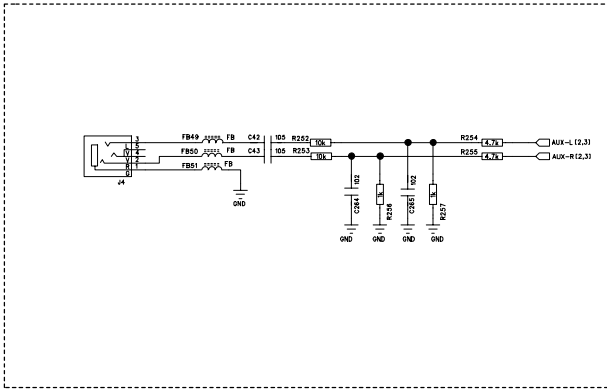
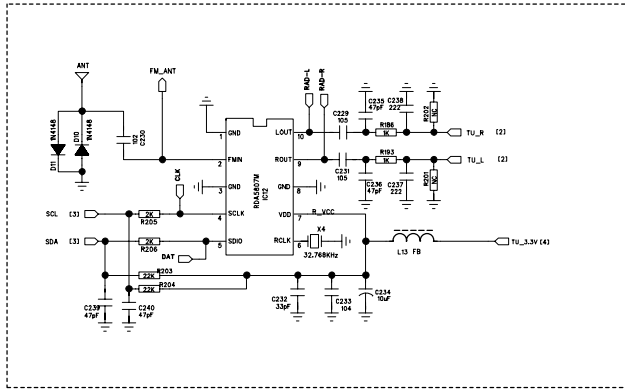
ALCO CONFIDENTIAL

DESIGN	DATE	BY	REV

APPROVED BY:	DATE:	DESIGN NO.:	REV.:

RELEASER:	DATE:	BY:	REV.:

REVISION RECORD			
LTR	ECO NO:	APPROVED:	DATE:



TO SWITCH POWER PD

ALCO CONFIDENTIAL

DESIGNED BY:	DESIGNED BY:	DATE:	DATE:	DATE:	DATE:
REVIEWED BY:	REVIEWED BY:	DATE:	DATE:	DATE:	DATE:
APPROVED BY:	APPROVED BY:	DATE:	DATE:	DATE:	DATE:
RELEASED DATE:	RELEASED DATE:	RELEASED DATE:	RELEASED DATE:	RELEASED DATE:	RELEASED DATE:

### GPIO vs. DEFAULT APP FUNCTION

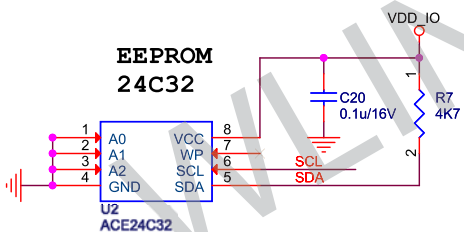
GPIO	FUNCTION
P1_2	EEPROM SCL
P1_3	EEPROM SDA
P0_1	VOL+
P1_6	VOL-
P2_7	FWD
P0_5	REV
P0_2	PLAY/PAUSE
P3_5	BUZZER DRIVER (*OPTIONAL)

### CONFIGURATION TABLE

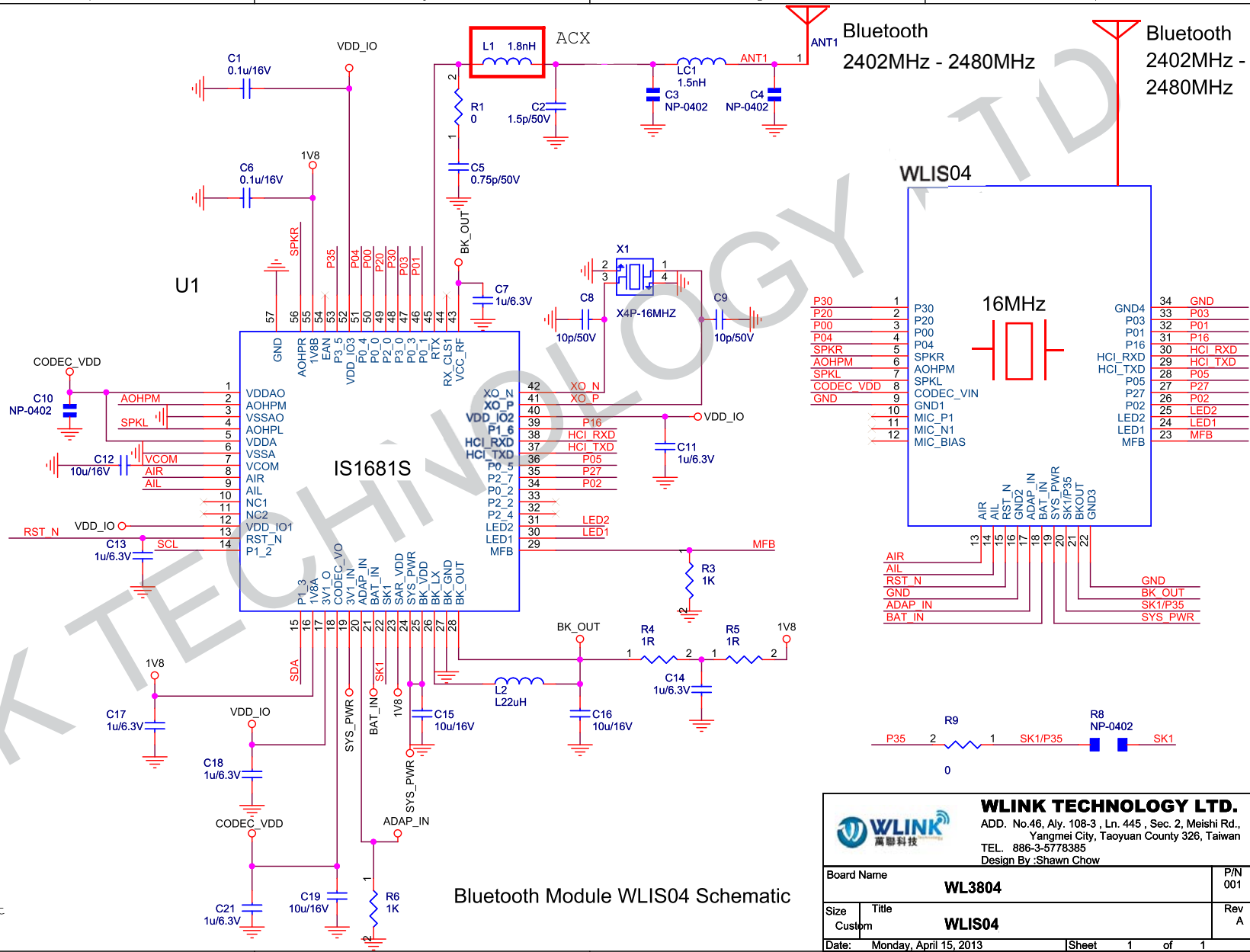
P2_0	P2_4	MODE
H	H	APPLICATION
L	H	BASEBAND (IBDK MODE)
L	L	BOOT MODE

EAN L: EXT FLASH, H: INT ROM

### EEPROM 24C32



EEPROM size depends on the need of voice prompt (>= 24C32)



Bluetooth Module WLIS04 Schematic

**WLINK TECHNOLOGY LTD.**  
 萬聯科技  
 ADD: No.46, Aly. 108-3, Ln. 445, Sec. 2, Meishi Rd., Yangmei City, Taoyuan County 326, Taiwan  
 TEL: 886-3-5778385  
 Design By :Shawn Chow

Board Name		<b>WL3804</b>	P/N	001
Size	Title	<b>WLIS04</b>	Rev	A
Custom				
Date:	Monday, April 15, 2013	Sheet	1	of 1

REVISION RECORD			
LTR	ECO NO.	APPROVED	DATE

D

D

C

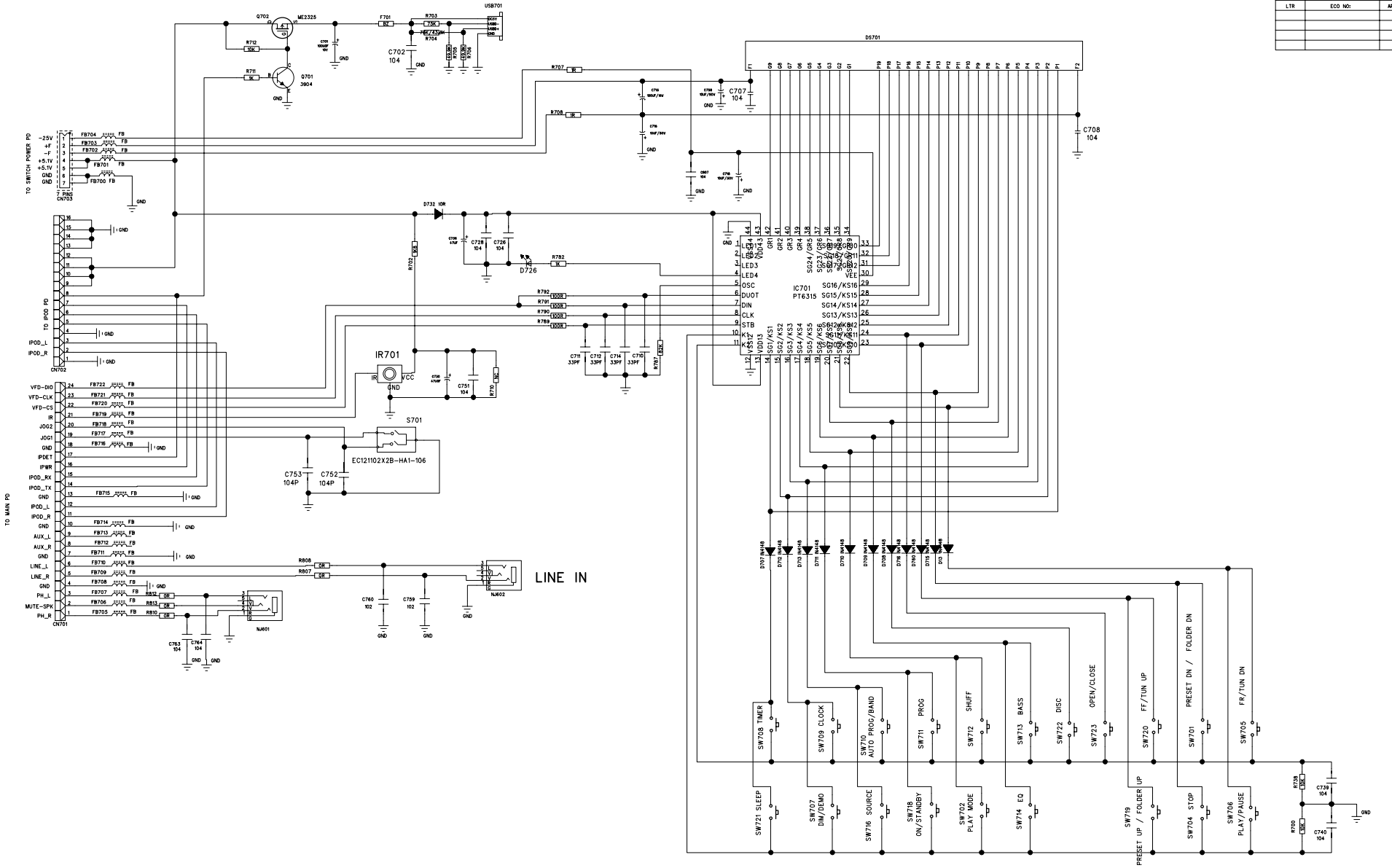
C

B

B

A

A

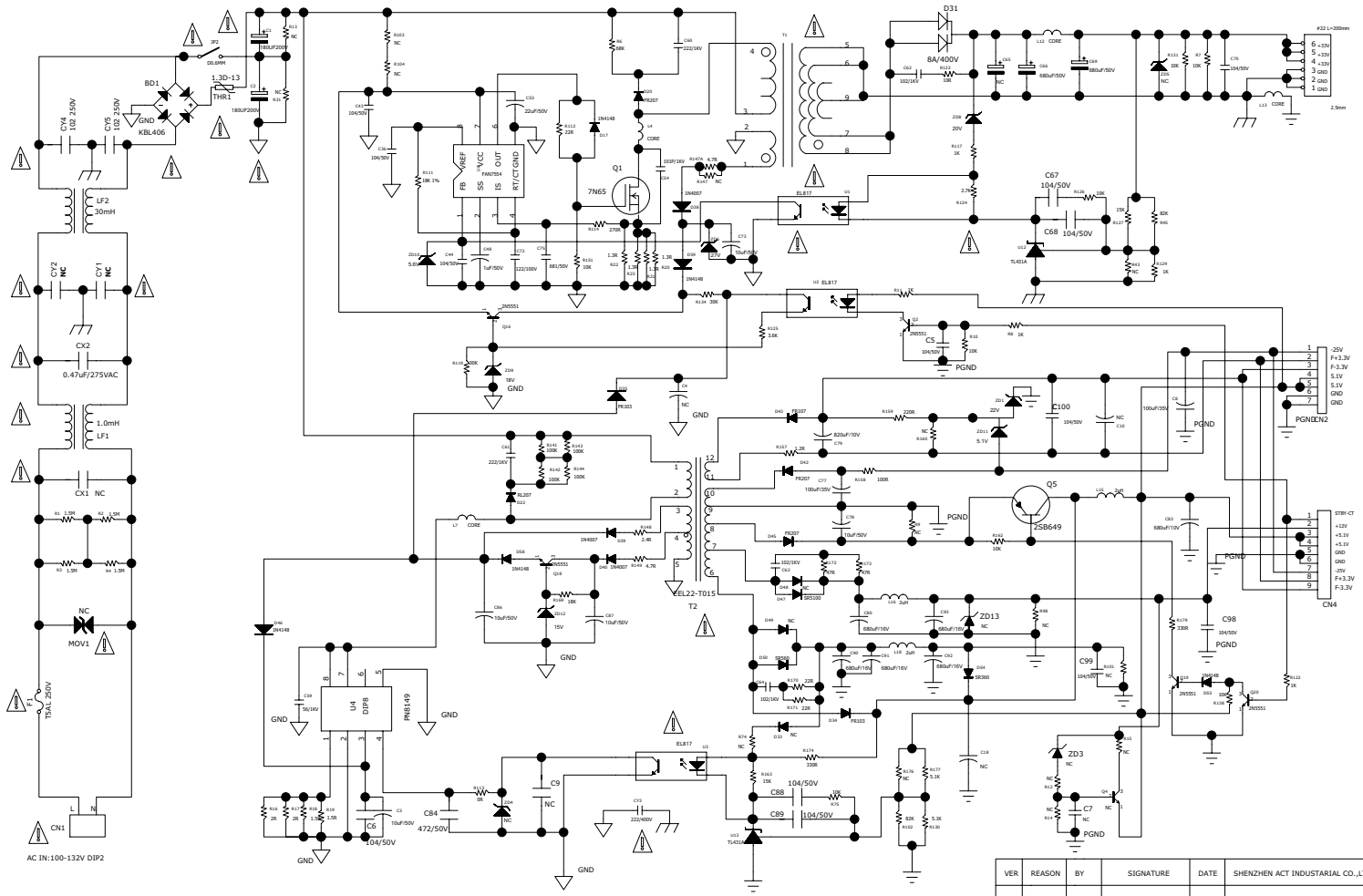


Key and Display Portion

ALCO CONFIDENTIAL

DESIGNED BY	DESIGNED BY	DATE	DATE	DATE	DATE

ALCO ELECTRONICS LIMITED  
 CD2767BE  
 PRODUCT NAME



VER	REASON	BY	SIGNATURE	DATE	SHENZHEN ACT INDUSTRIAL CO.,LTD
A/0	第一次下发	欧阳发明	DESIGN: 欧阳发明	2013-12-31	MODEL: CD2767BE V1.0
			APPROVED:		TITLE: CD2767BE V1.0 SCH-1
					VER: A/0 PAGE: 1 OF 1

Power Supply Portion