

6

5

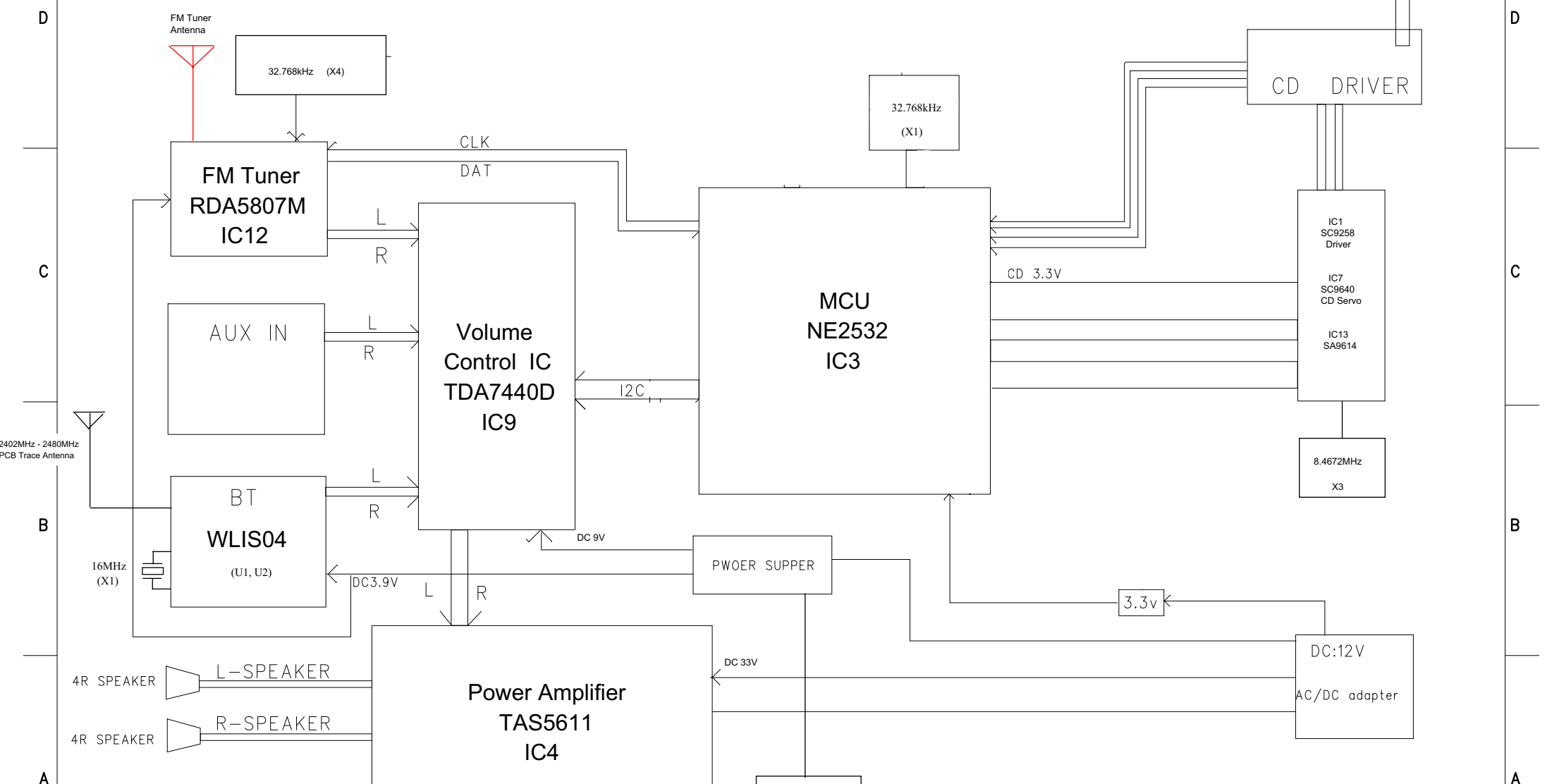
4

3

2

1

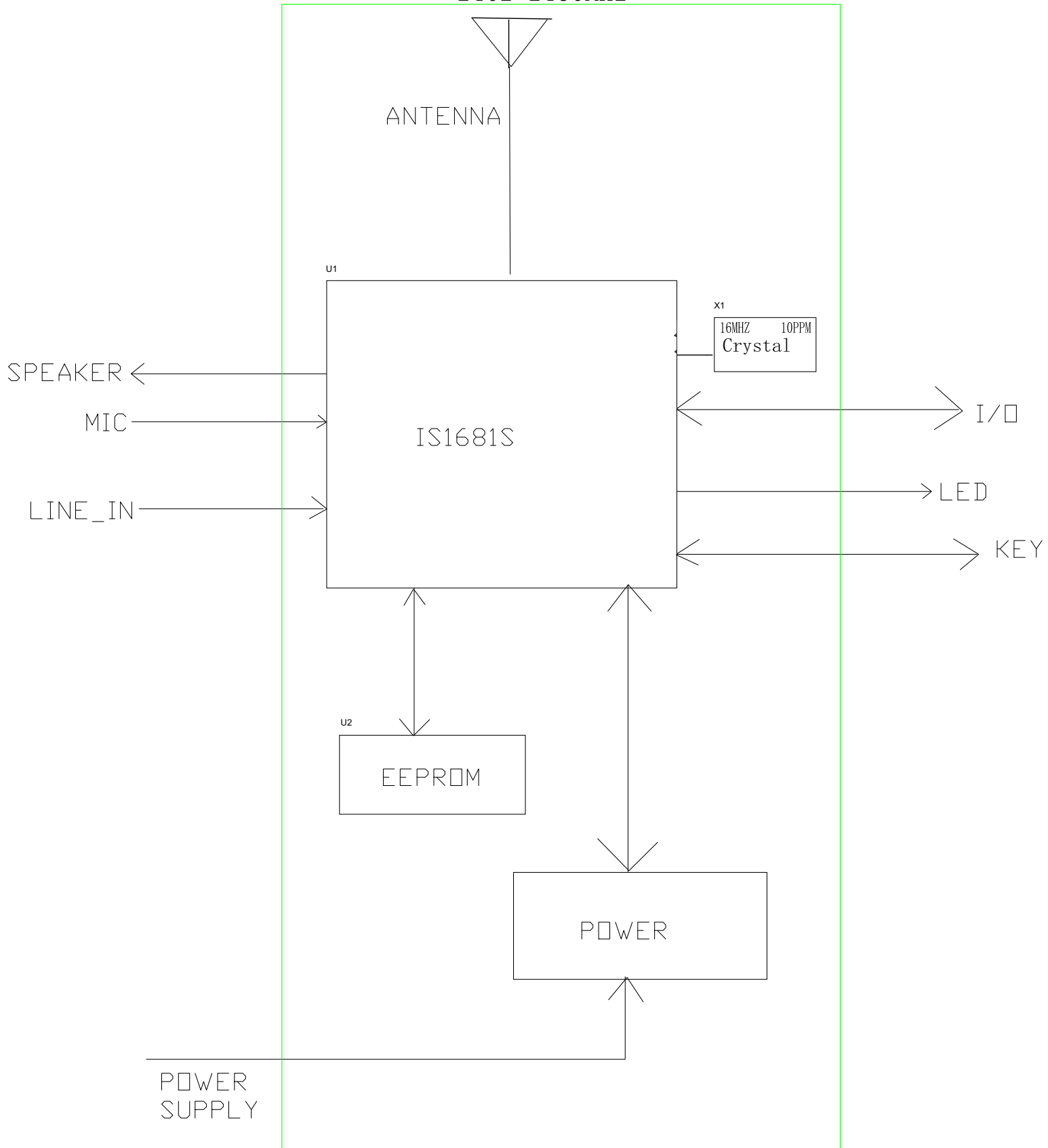
# BLOCK DIAGRAM



		COMPANY: ALCO Electronics Limited		
DRAWN: GWH	DATE: <Drawn Date>	MODEL: <b>CD2767BE</b>		REV: <Revision>
CHECKED: <Checked By>	DATE: <Checked Date>	TITLE: <b>DSP DISPLAY CIRCUIT DIAGRAM</b>		REVISION: <Revision>
APPROVED: <Approved By>	DATE: <Approved Date>	SIZE: A2	LAST SAVED DATE: 02/23/2013	SHEET: 1 of 5

2402-2480MHz

### WLIS04 Block Diagram



### 3. Functional Diagram

