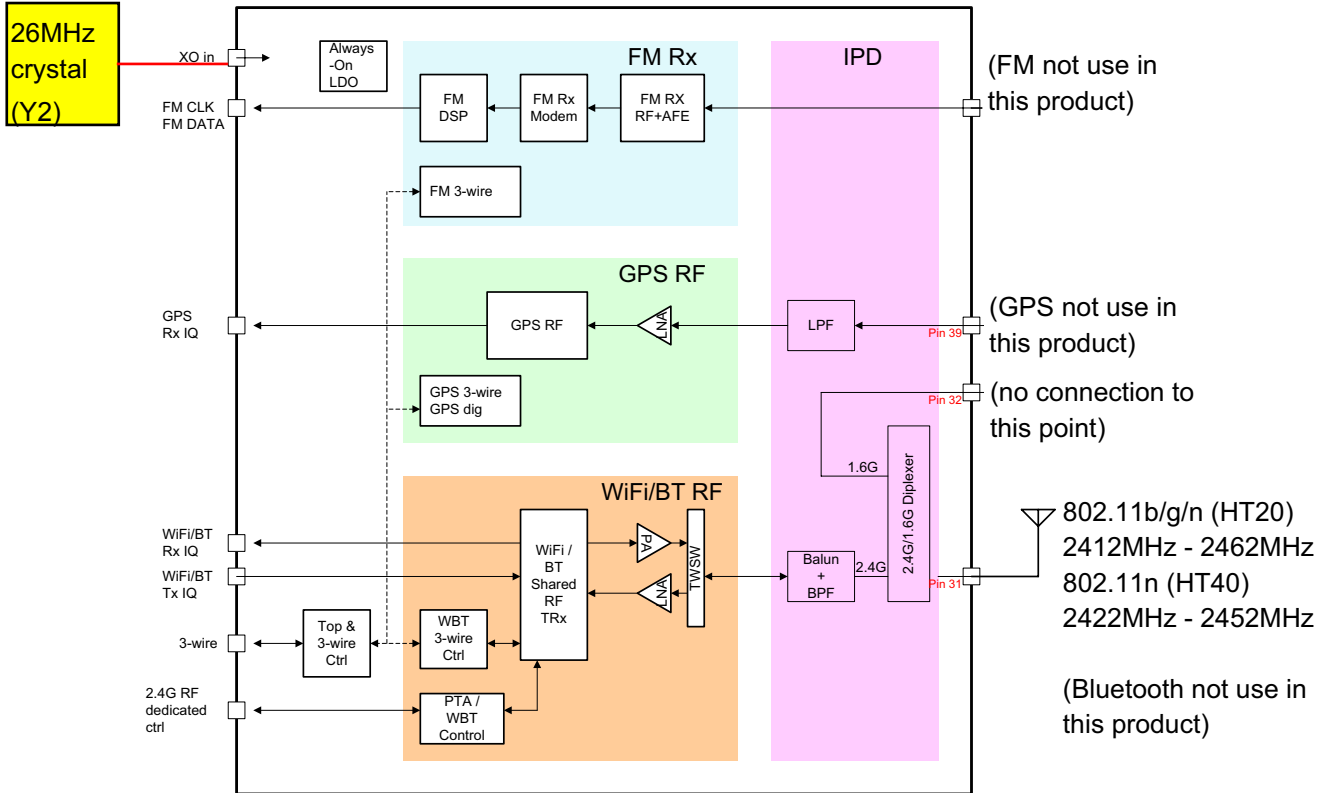


Block Diagram

FCC ID: A2HRCT6773W22



Block Diagram MT6627N