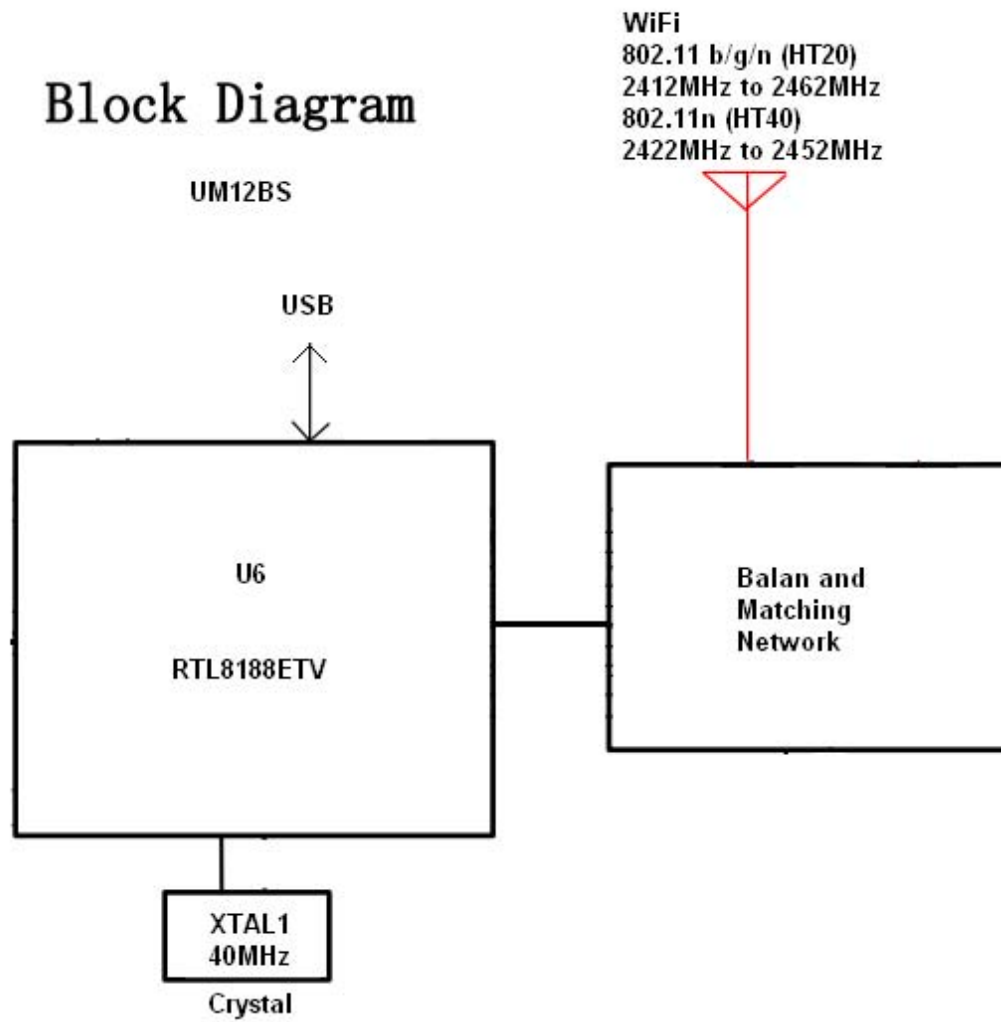


Block Diagram

Block Diagram



3. Application Diagram

3.1. Single-Band 11n (1x1) Solution with Single Antenna

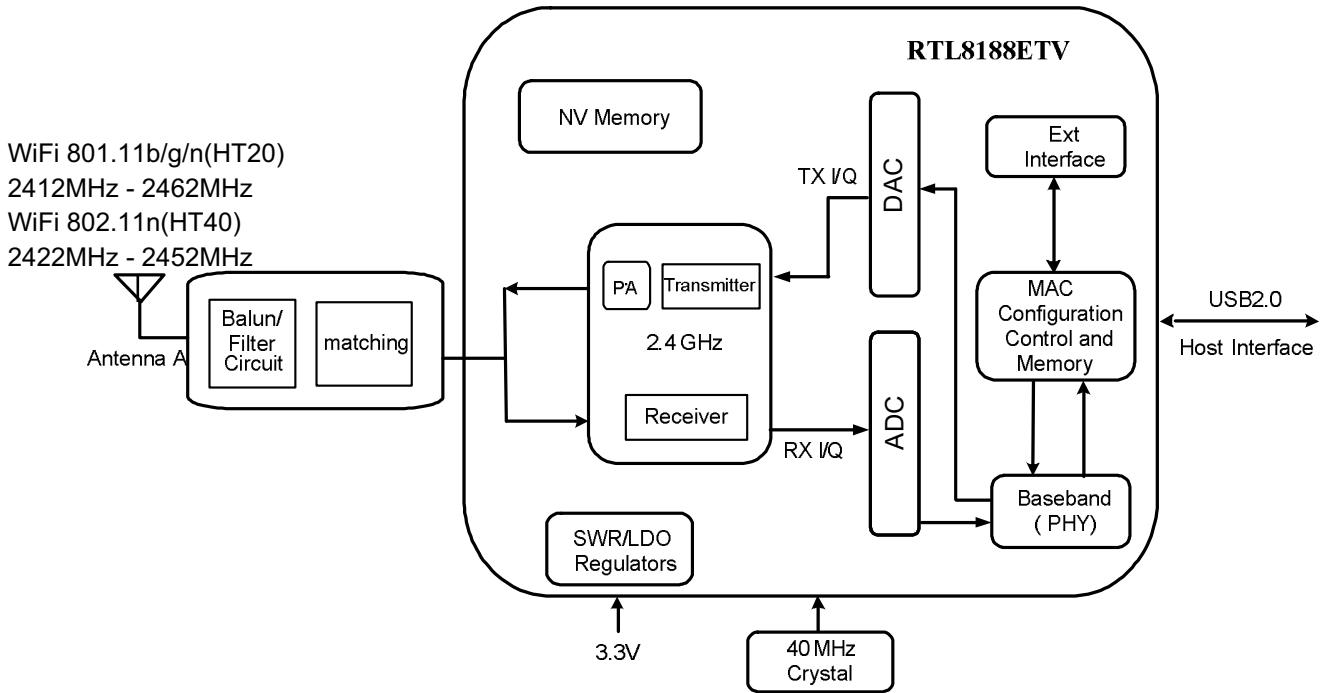


Figure 1. Single-Band 11n (1x1) Solution

Block Diagram of ETL8188ETV