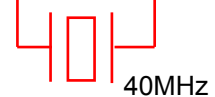


802.11b,g,n(HT20)
 2412 - 2462MHz
 802.11n(HT40)
 2422 - 2452MHz



USB WiFi MODULE



3. Application Diagram

3.1. Single-Band 11n (1x1) Solution with Single Antenna

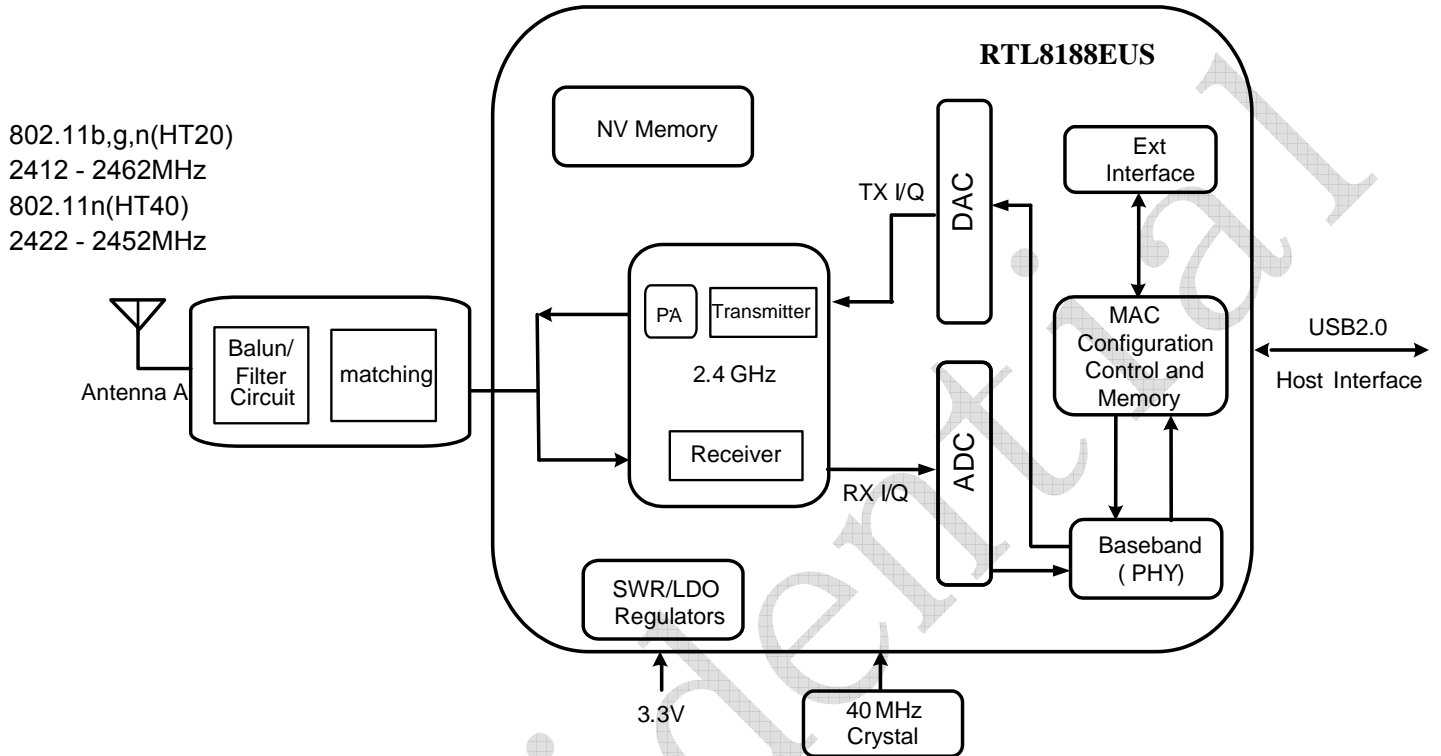


Figure 1. Single-Band 11n (1x1) Solution