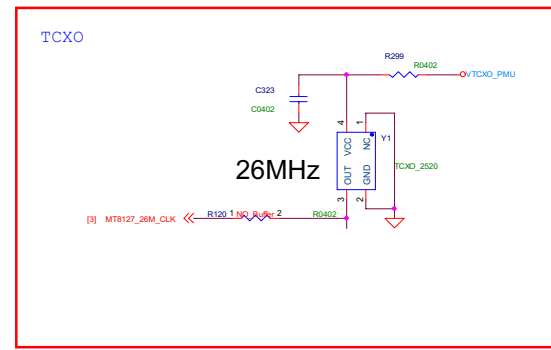


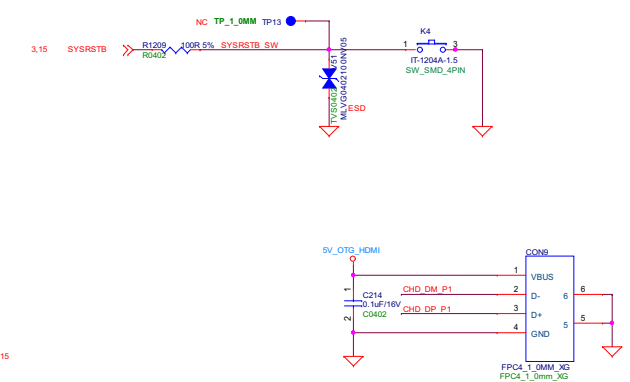
MT8127A

M8127E1_LF0042_028

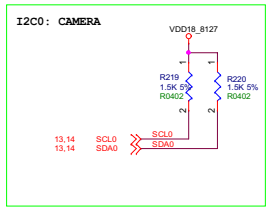
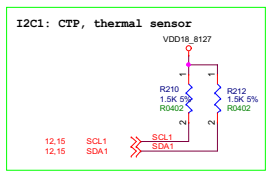
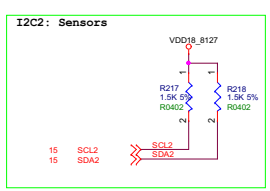
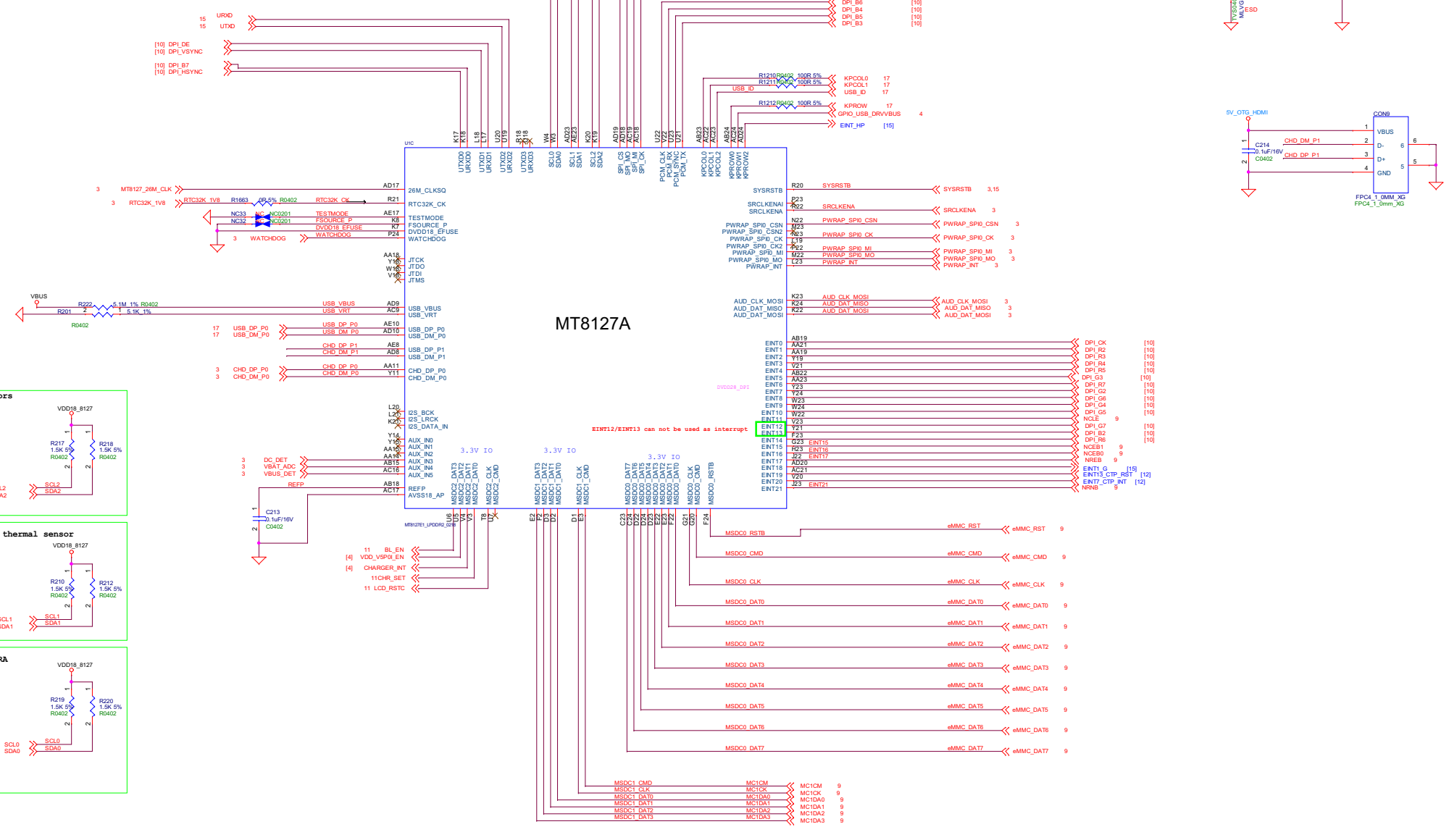




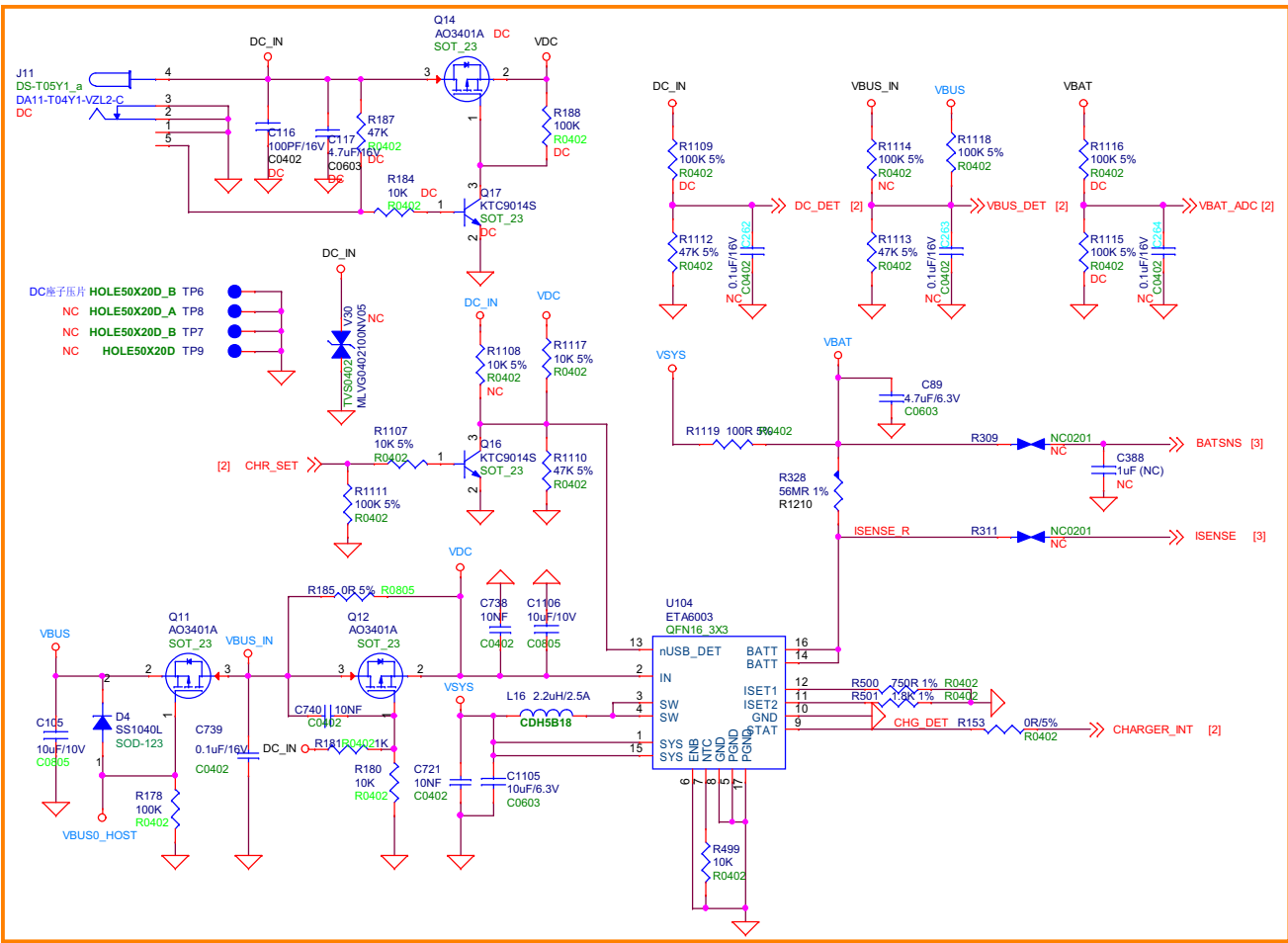
RESET KEY



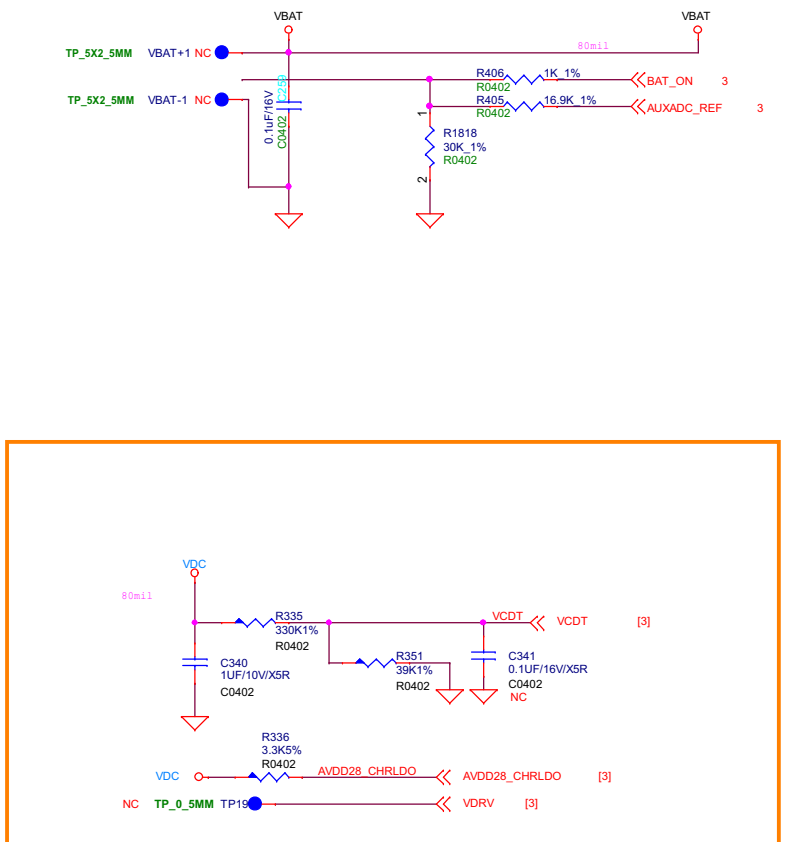
MT8127A



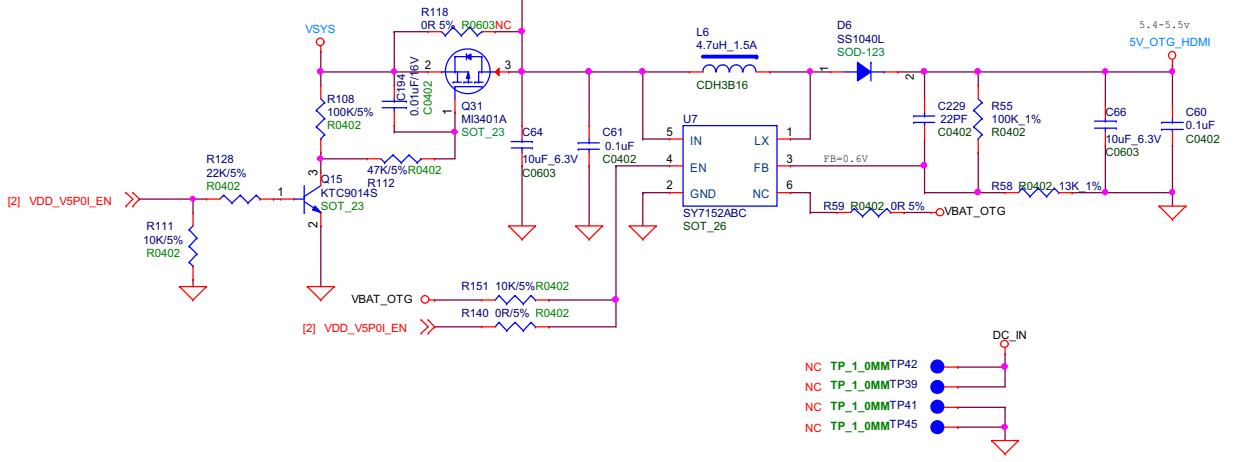
ENT12/ENT13 can not be used as interrupt



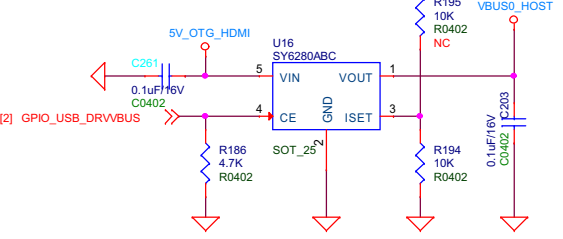
BATTERY CONNECTOR



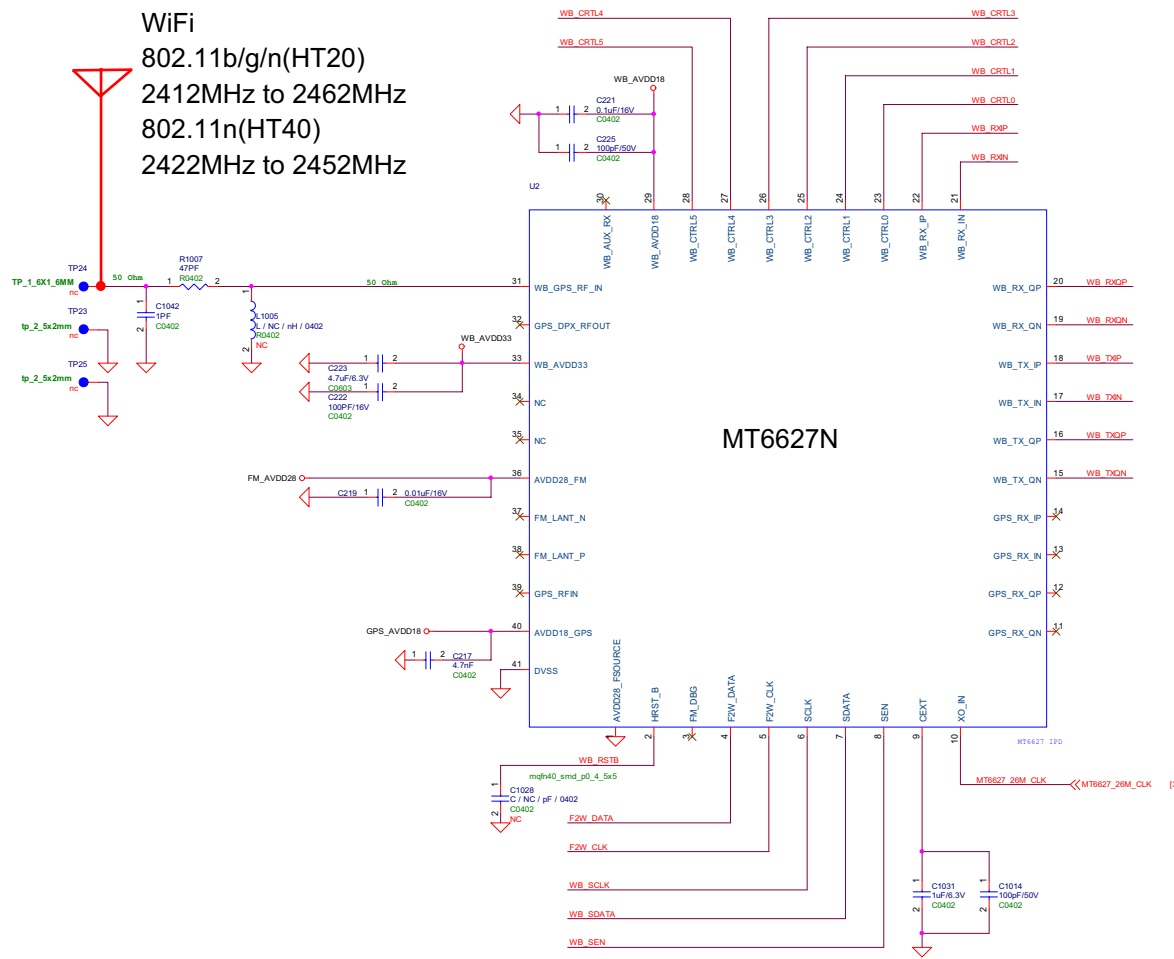
OTG Power



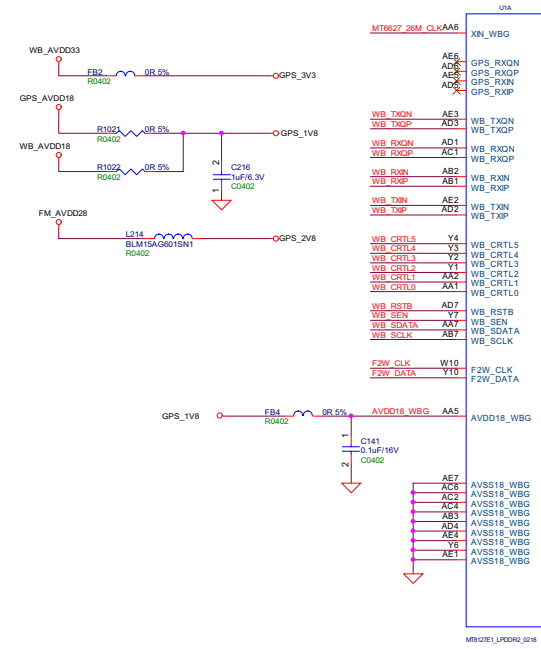
limite output current



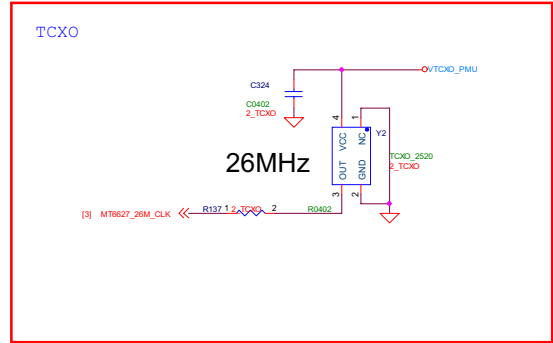
WiFi
 802.11b/g/n(HT20)
 2412MHz to 2462MHz
 802.11n(HT40)
 2422MHz to 2452MHz



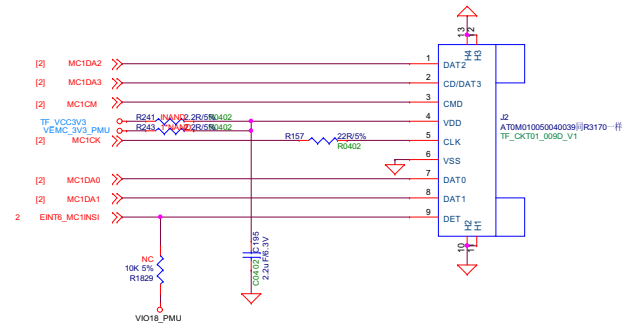
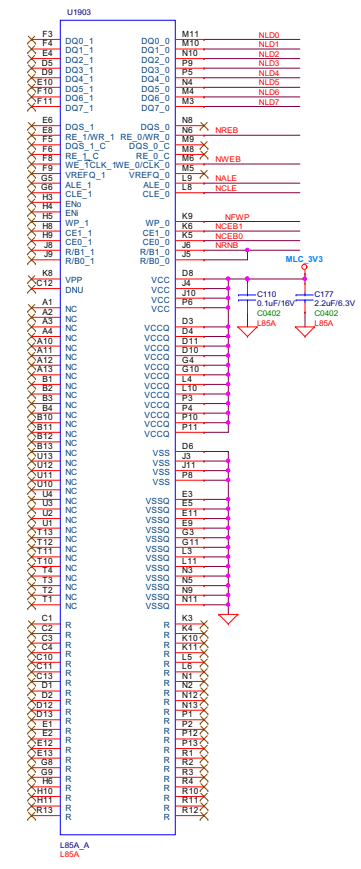
MT6627N

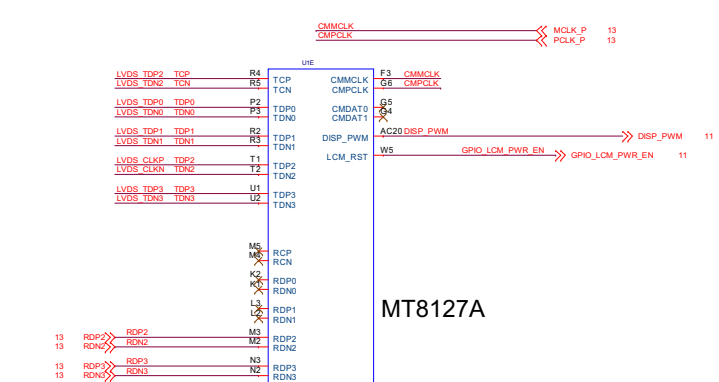


MT8127A

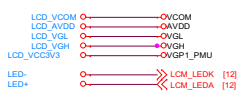
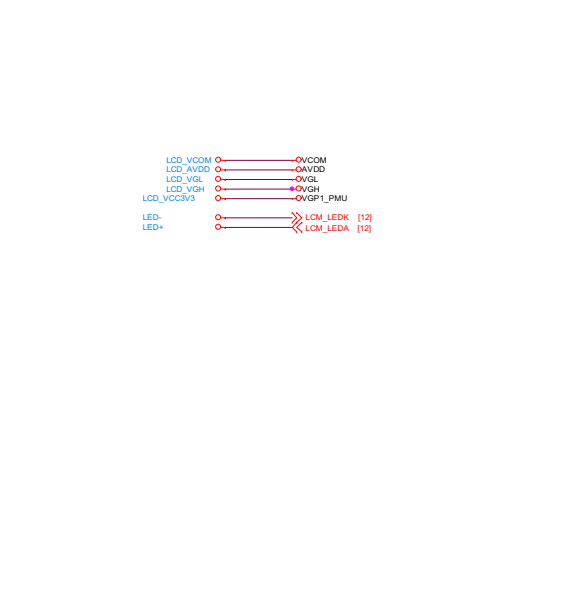
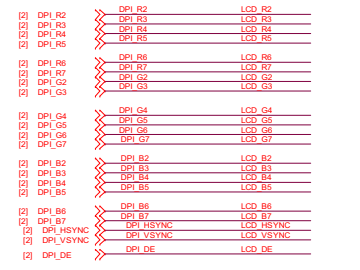
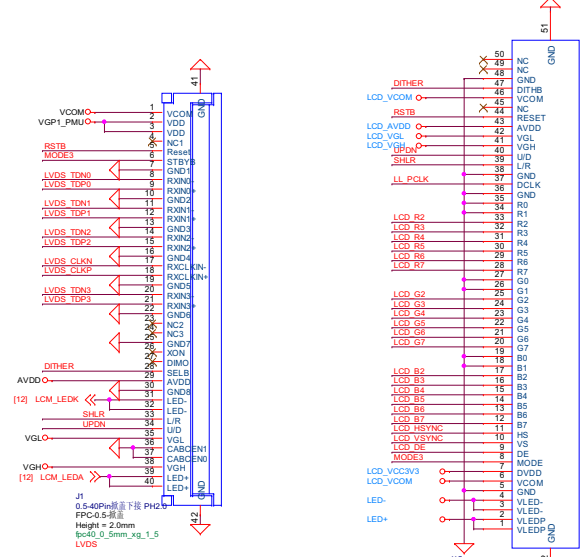
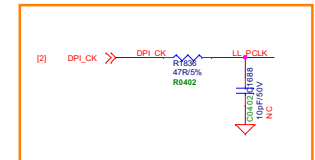
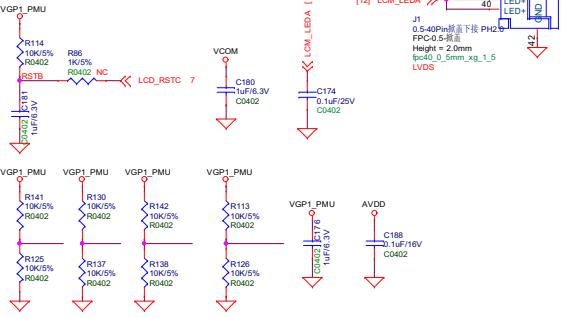
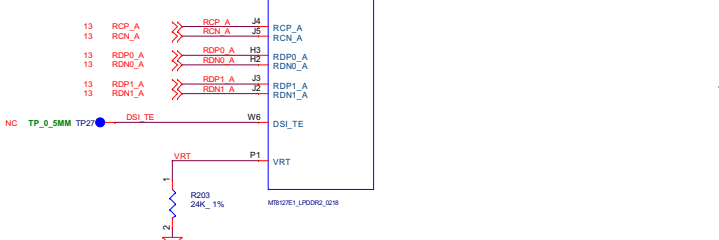


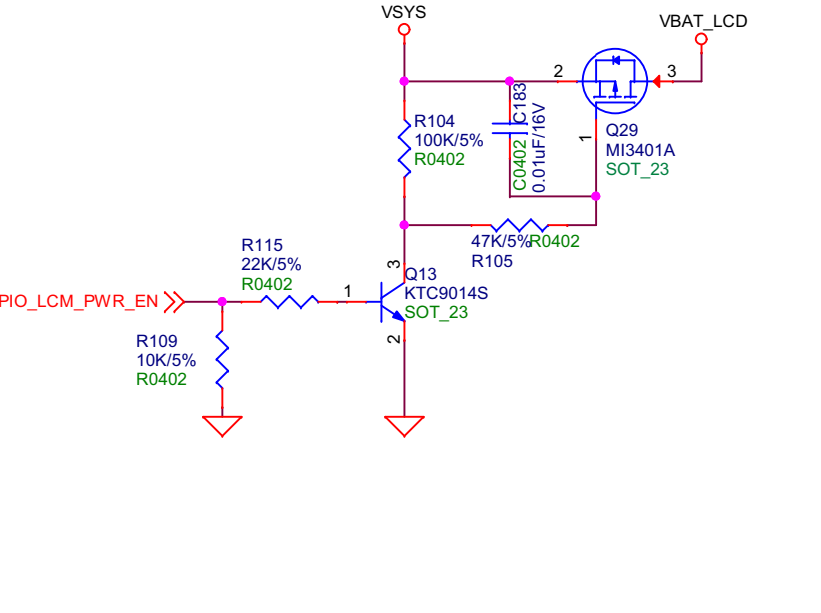
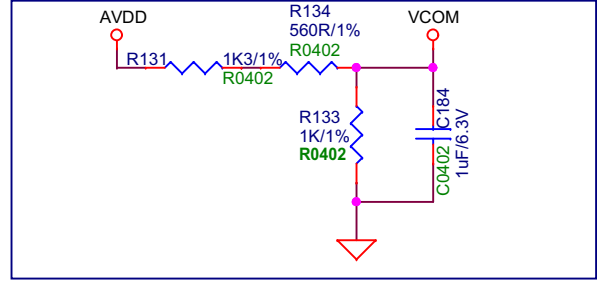
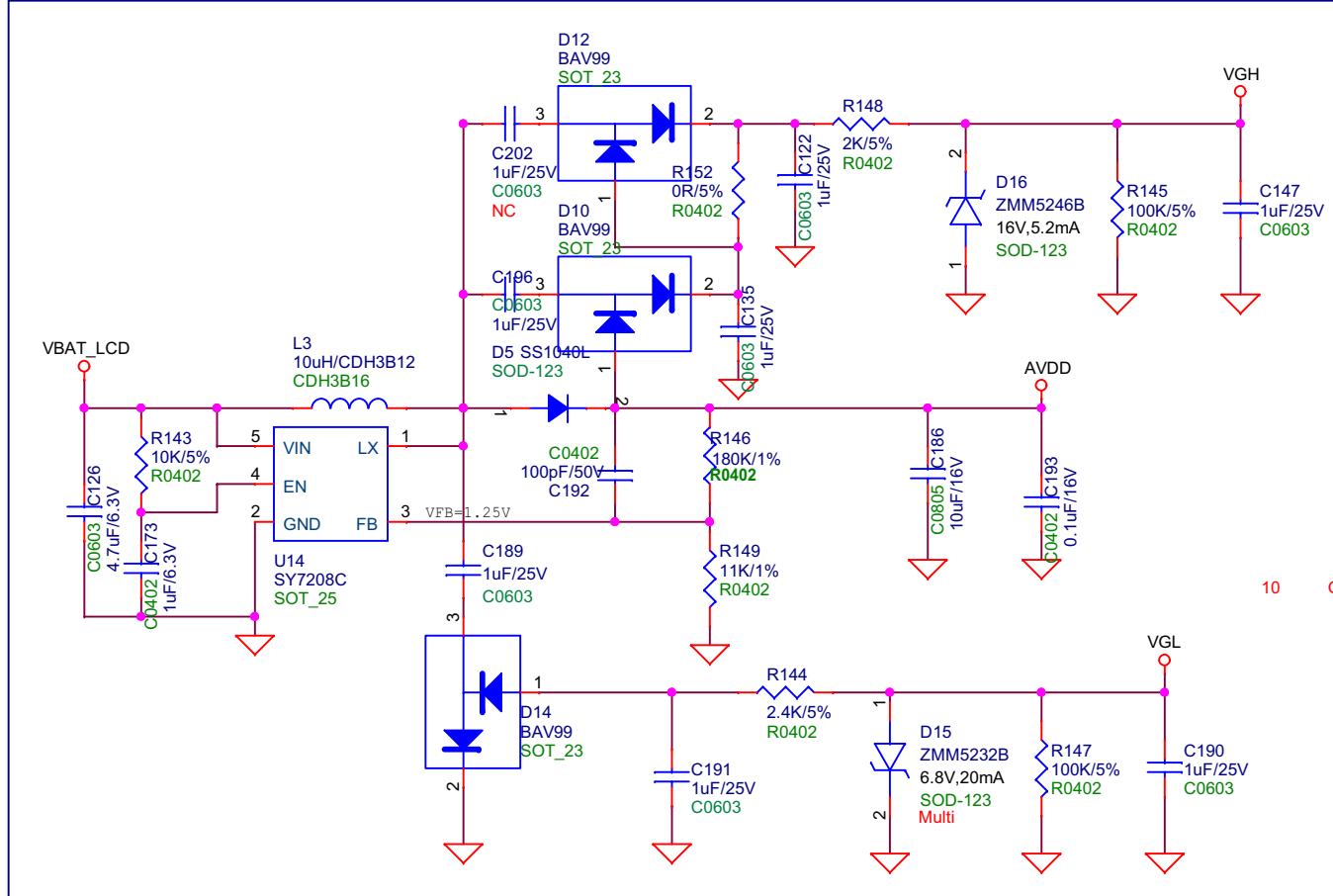
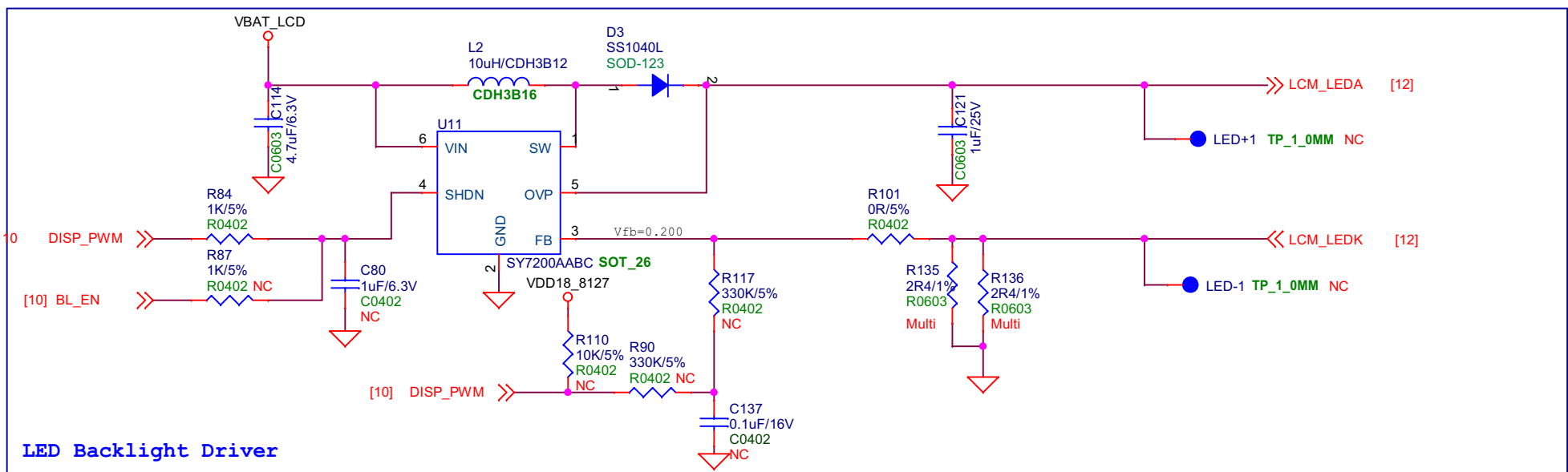
SDTNRGAMA-008G

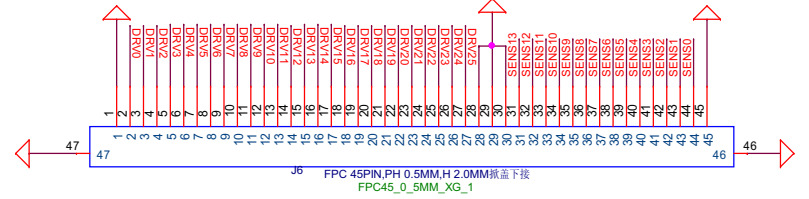
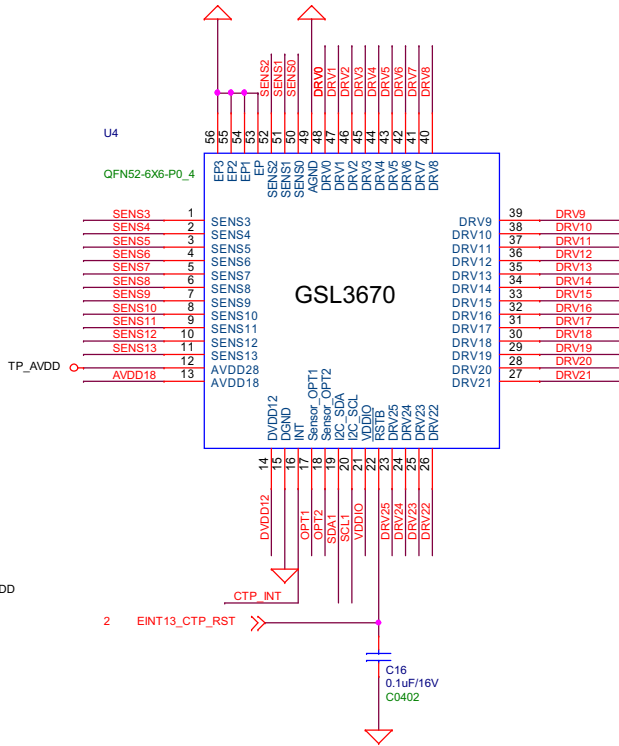
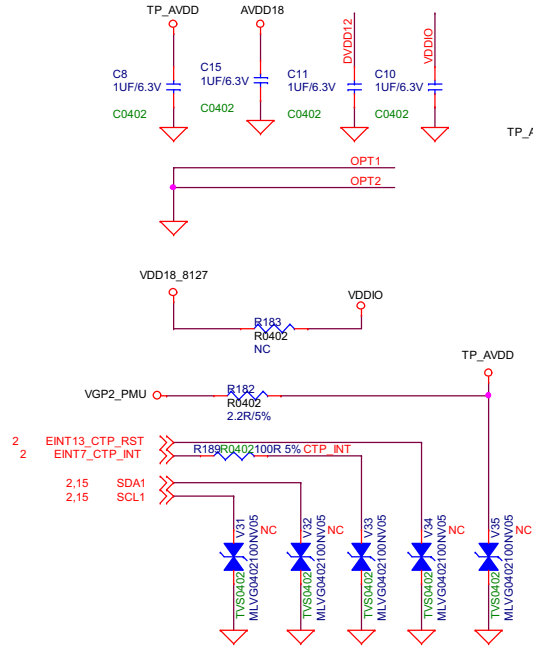




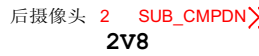
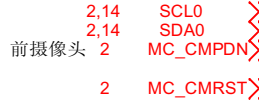
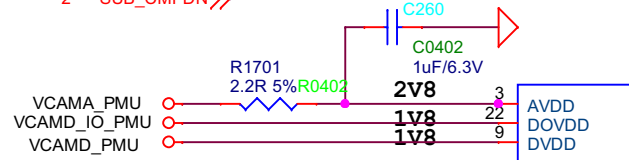
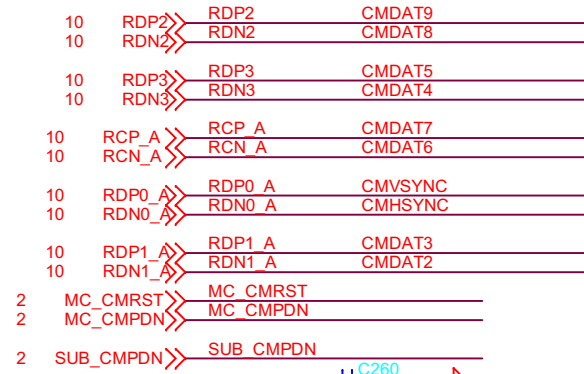
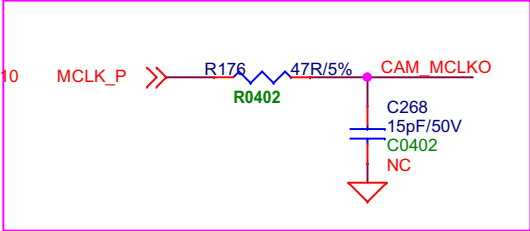
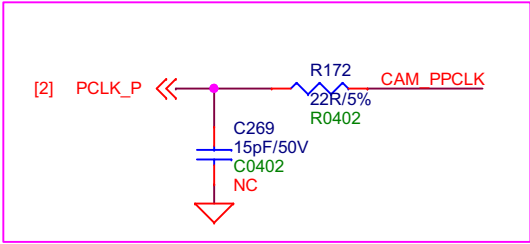
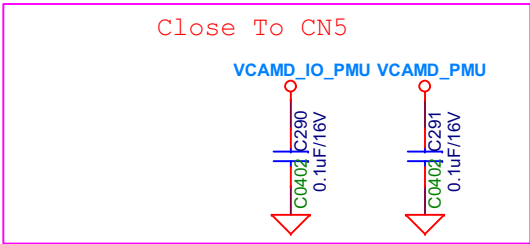
MT8127A







Camera



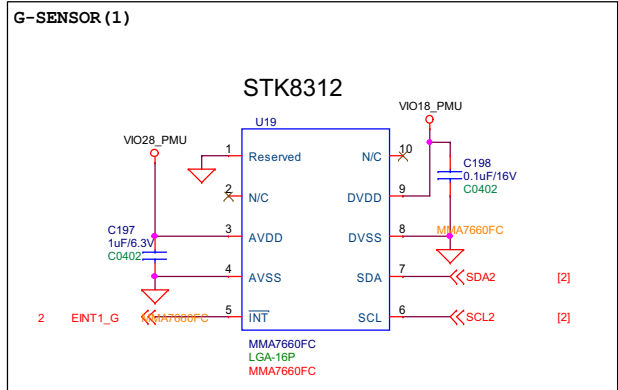
2V8



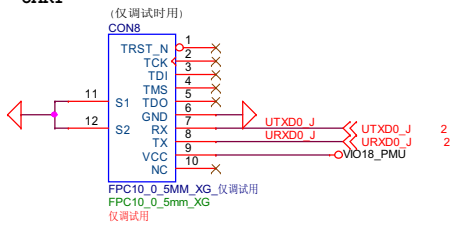
J10 24PIN_0.5下拉掀盖H=2.0
fpc24_0_5mm_xg



G-Sensor

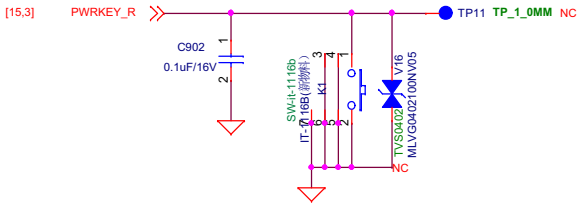


UART



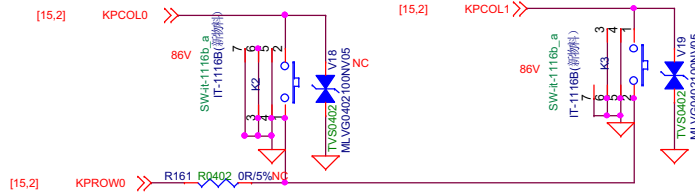
Power Key

DO NOT put pull-up resistor on PWRKEY



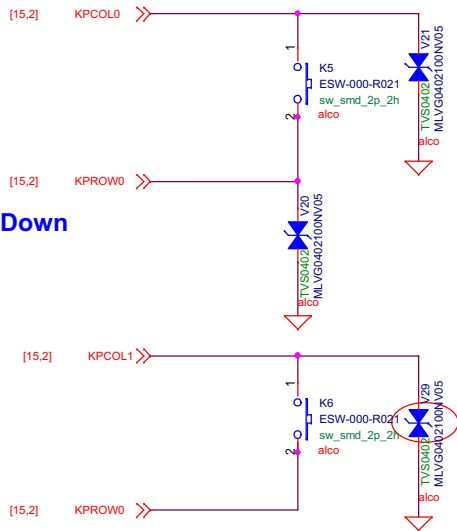
Volume Up

Volume Down



Volume Up

Volume Down



USB HS IF

