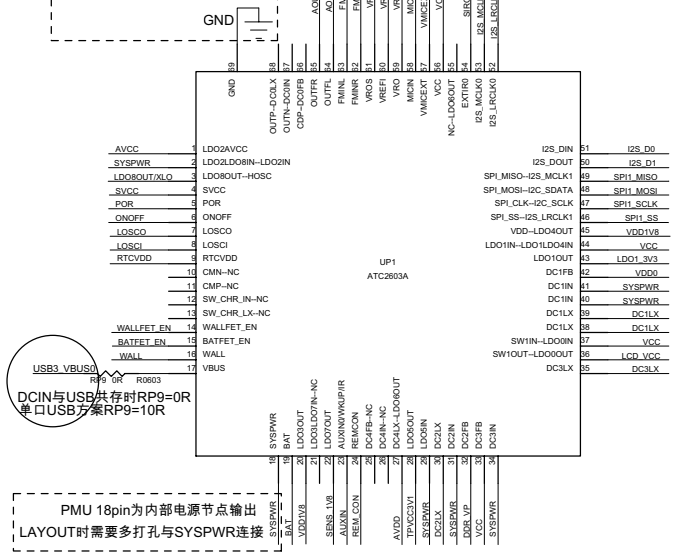
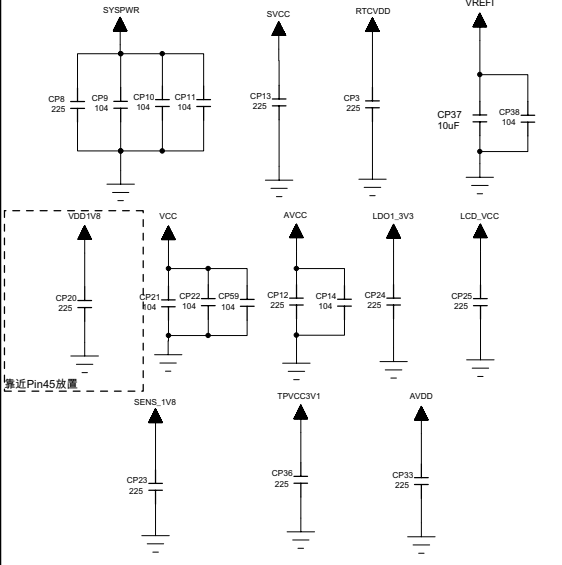


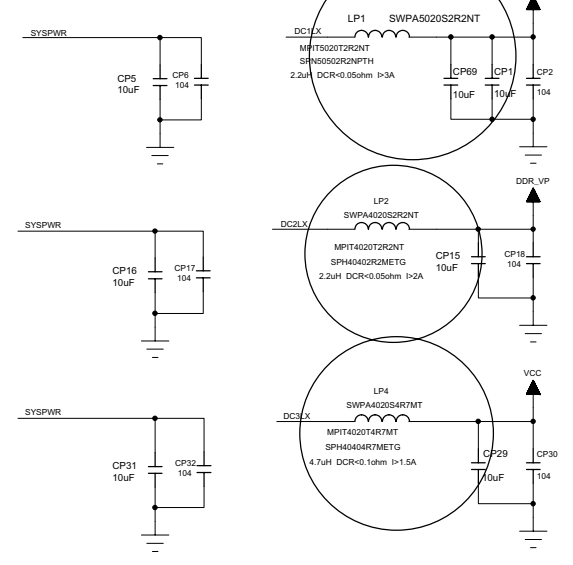
# PMIC&CODEC



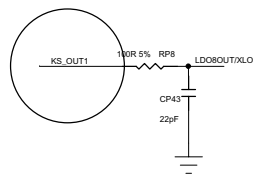
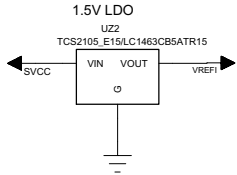
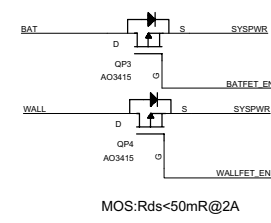
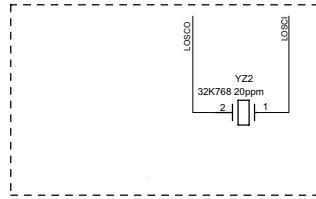
# Decouple CAP



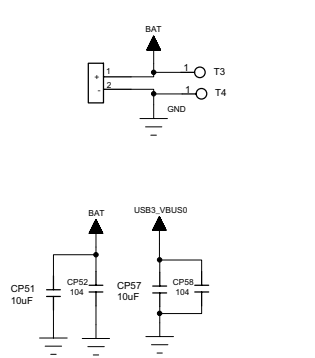
# DCDC



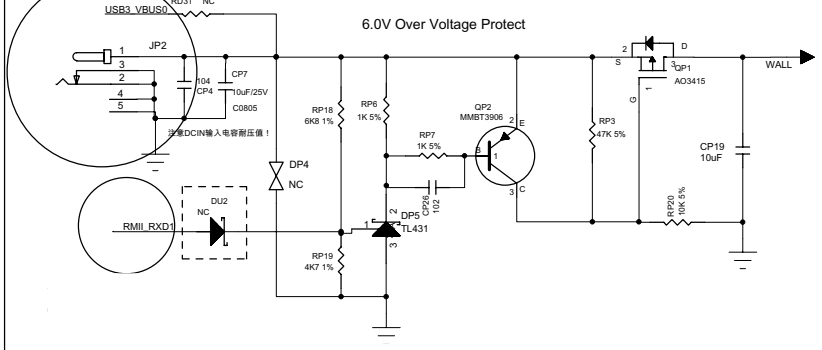
# SYS



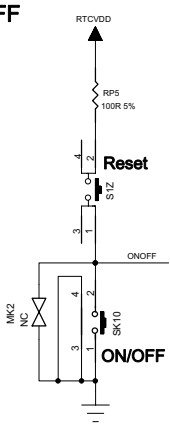
# Battery



# Adapter

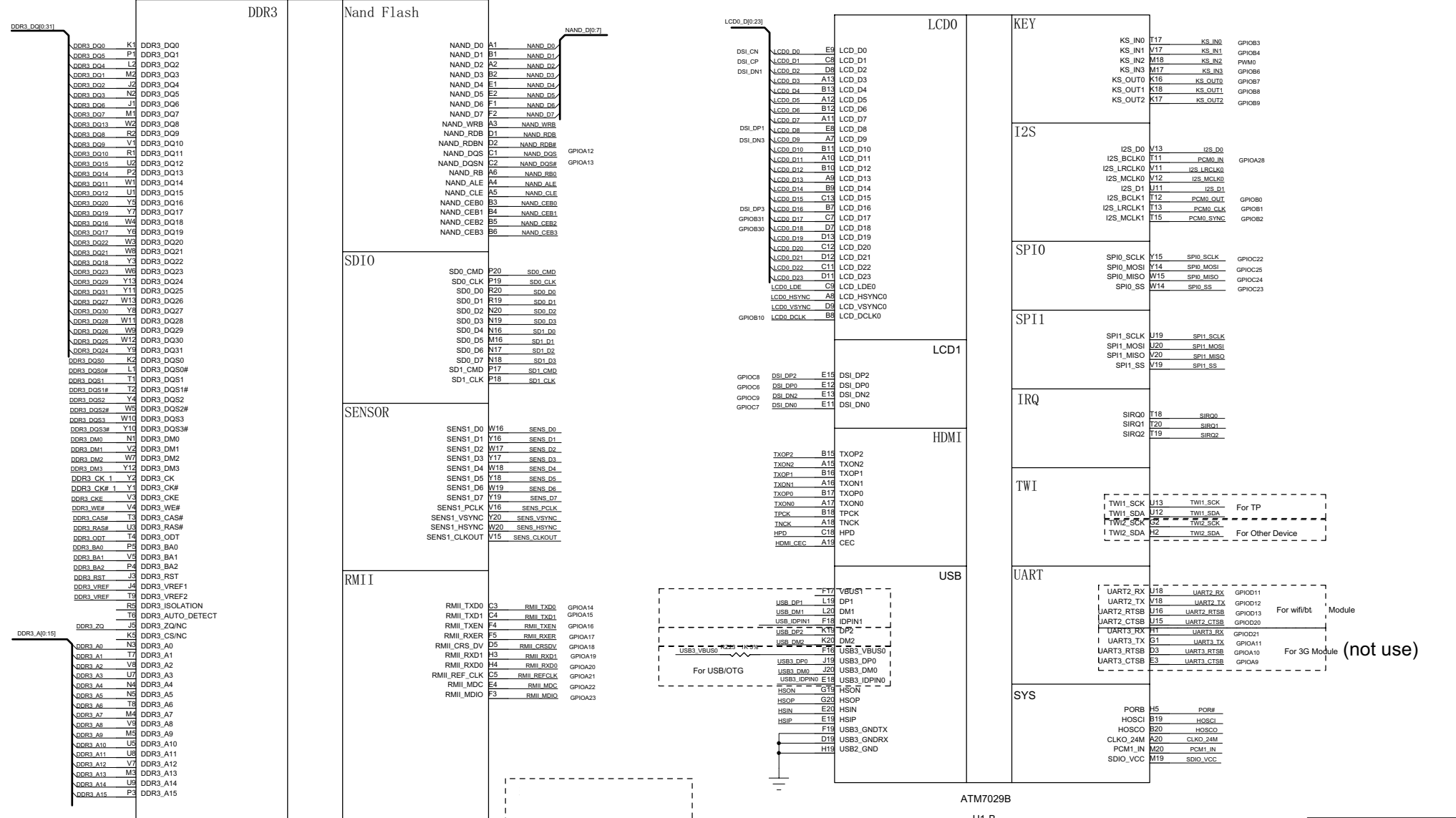


# ON / OFF

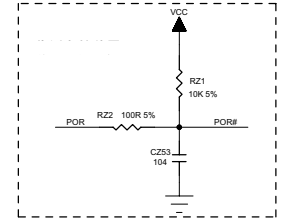
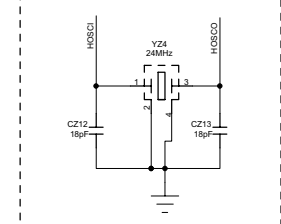
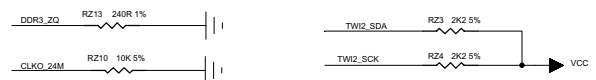


File name:	
Sheet name:	
Drawing No:	Version: V1.0
Drawn By:	Date: 2014-2-24
Checked By:	Date:
Approved By:	Date:
Size: A3	Sheet: 4 13

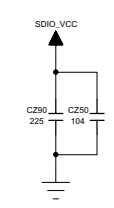
CPU1



ATM7029B U1-A

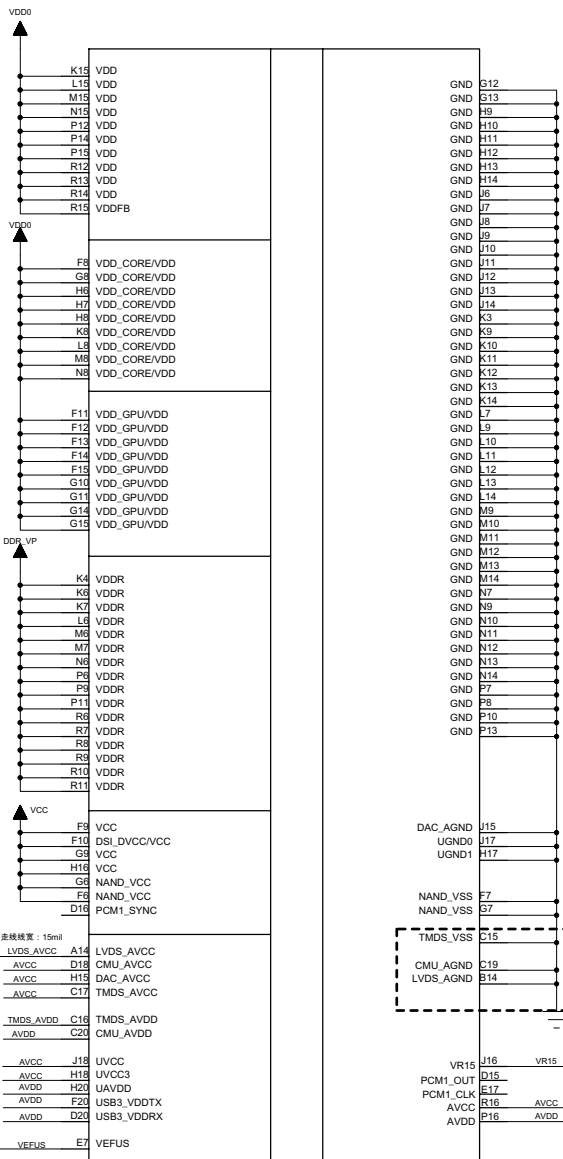


ATM7029B U1-B



5. CPU1

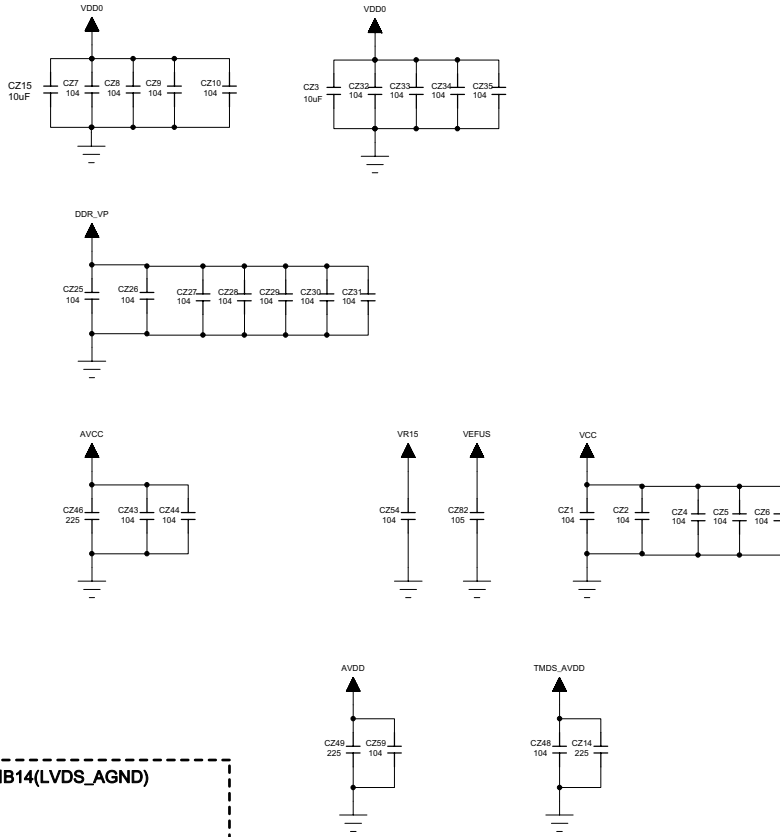
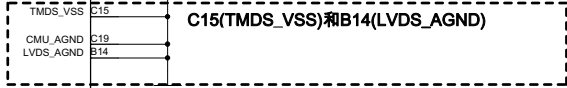
Title:	
Drawing No:	Version:
Drawn By:	Date:
Checked By:	Date:
Approved By:	Date:
Size	A3
Sheet:	



ATM7029B U1-C

屏种类	RZ11	RZ12		
RGB	NC	0R		
LVDS	0R	NC		

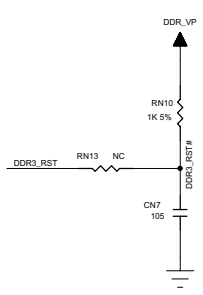
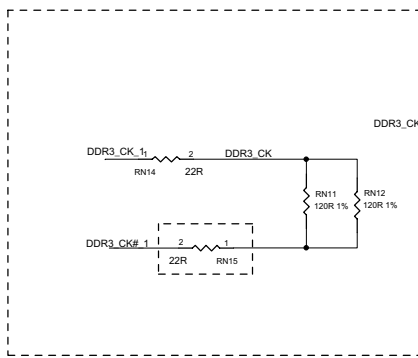
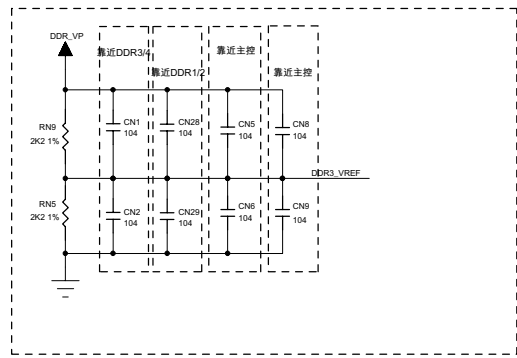
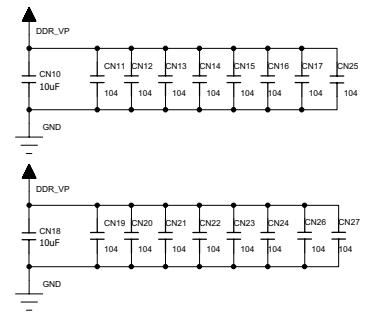
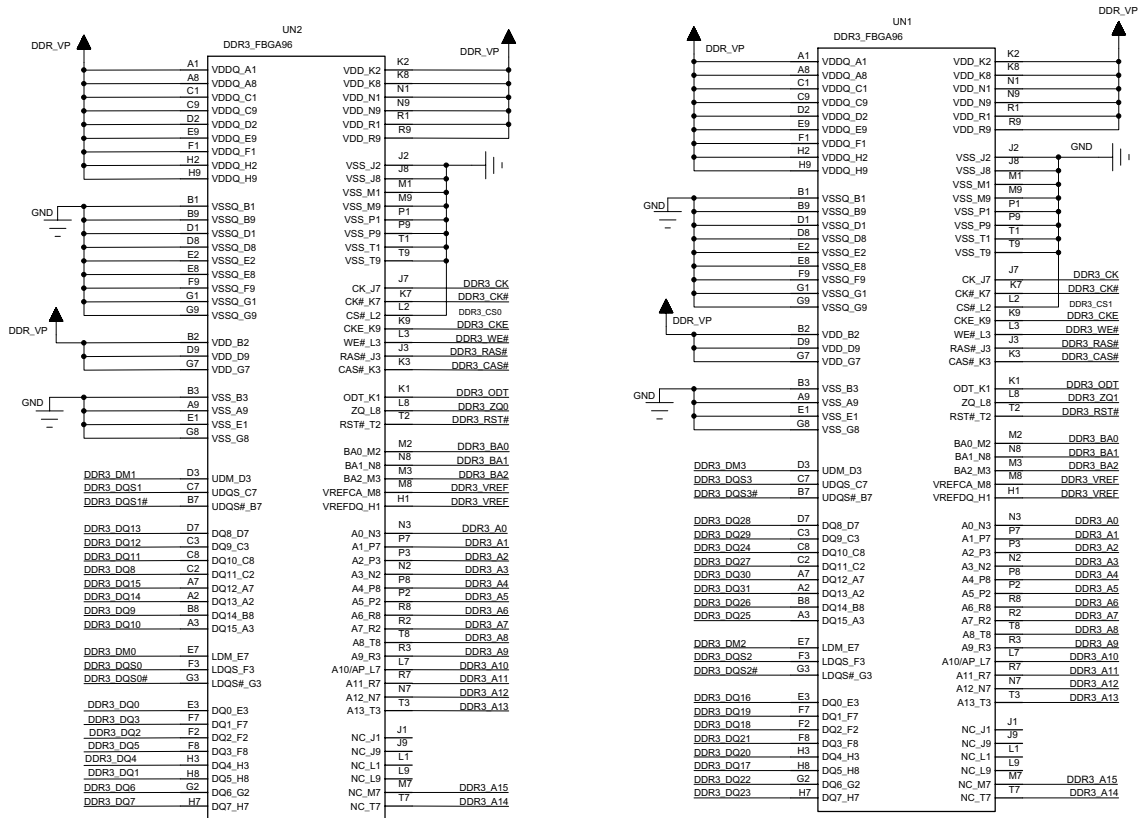
连接距离: 15mm



6. CPU2

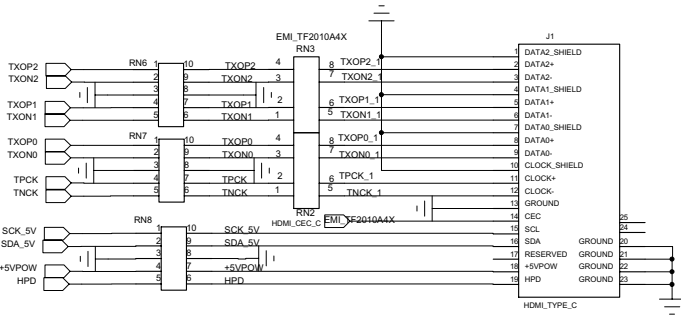
Title:	
Drawing No:	Version:
Drawn By:	Date:
Checked By:	Date:
Approved By:	Date:
Size	A3
	Sheet:

# DDR3\_2 X 16BIT K4B4G1646

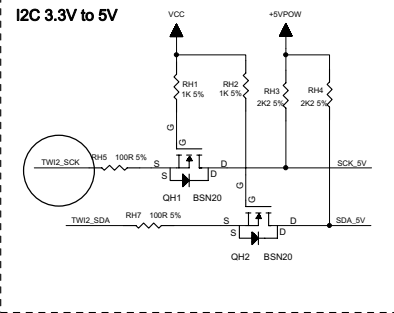
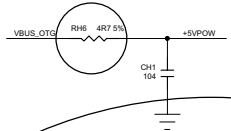
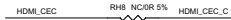


File name:	
Sheet name: 7.DDR3_2X16BIT	
Drawing No:	Version: V1.0
Drawn By:	Date: 2014-2-24
Checked By:	Date:
Approved By:	Date:
Size: A3	Sheet: 7 of 13

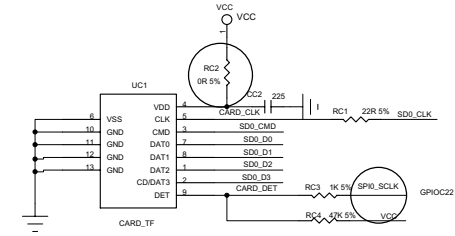
# HDMI



## HDMI CEC protocol

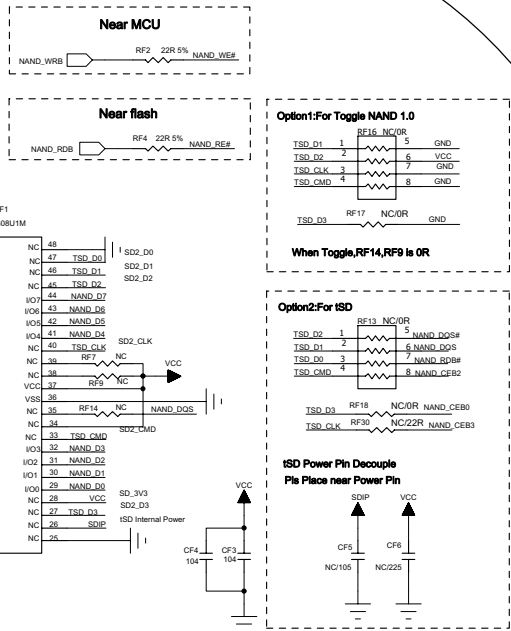


# TF CARD



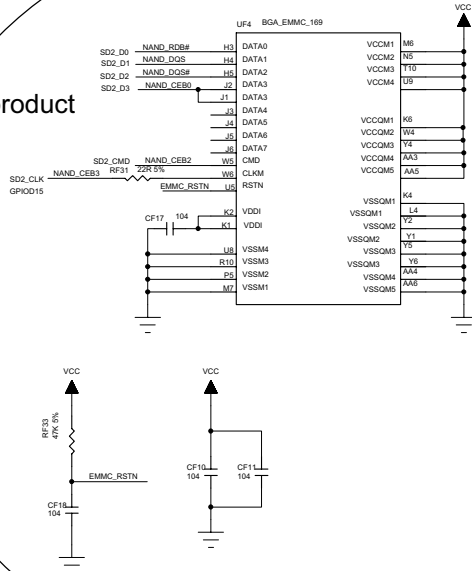
# NANDFLASH

## TC58TEG6DCJTA00



# eMMC

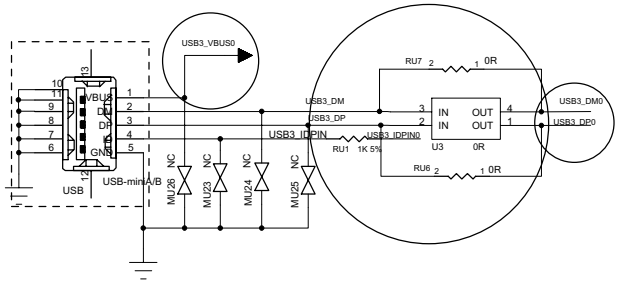
(optional)  
not use in product



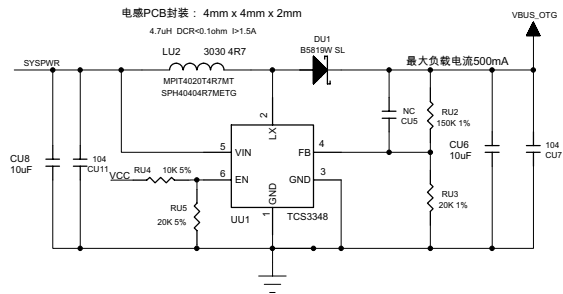
<b>8.FLASH&amp;CARD&amp;HDMI</b>	
File name:	
Sheet name:	
Drawing No:	Version: V1.0
Drawn By:	Date: 2014-3-24
Checked By:	Date:
Approved By:	Date:
Size: A3	Sheet: 8 13

# USB

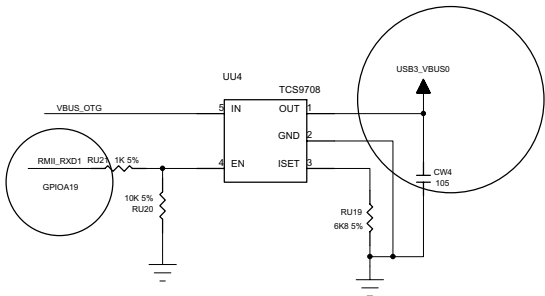
## USB2.0 MiniAB



## USB OTG Power

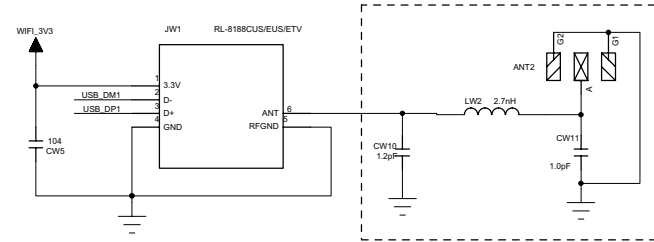


## USB Current Switch



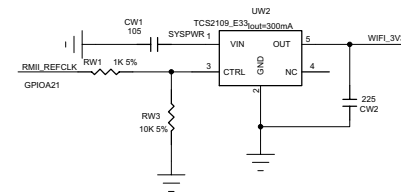
## USB WIFI

(optional) not use in product



(optional) not use in product

## WIFI 3V3

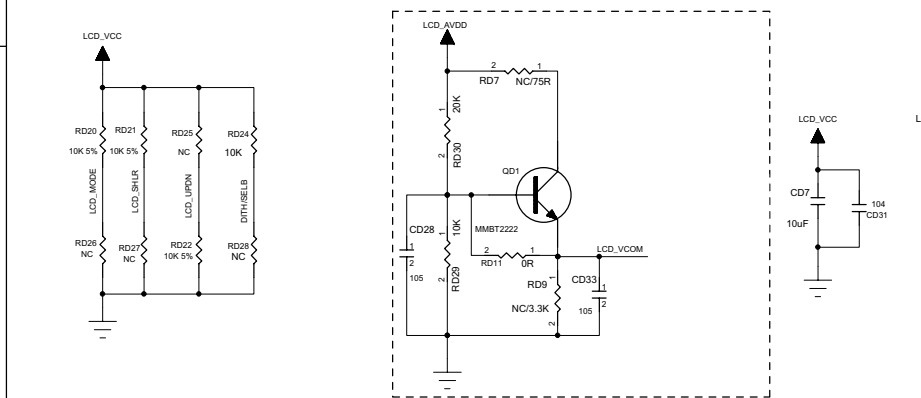
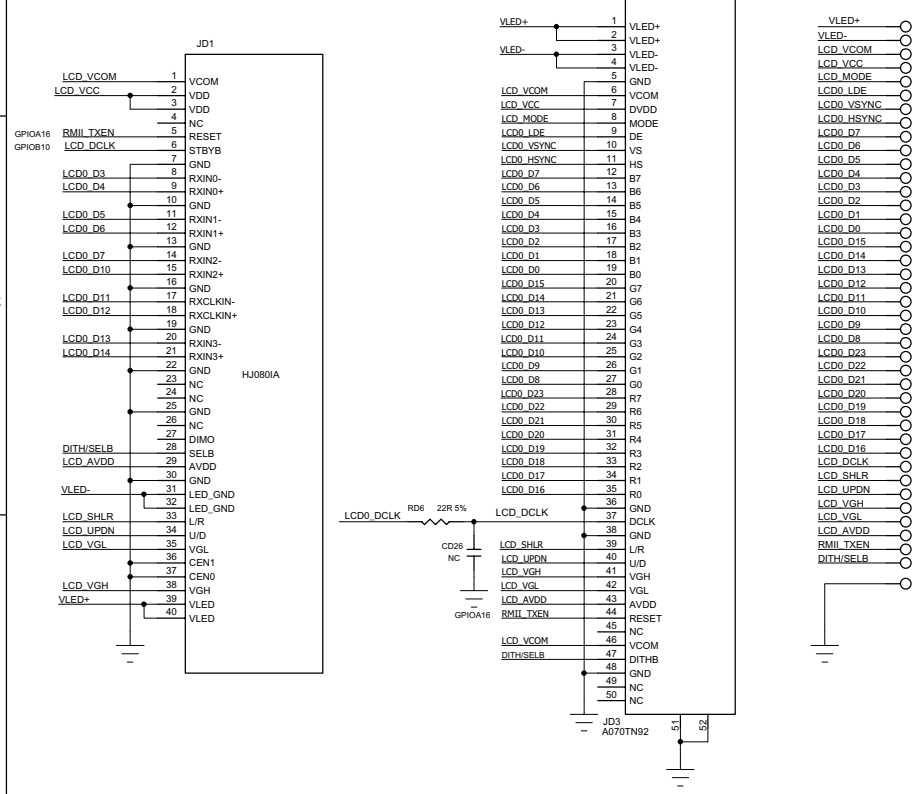


File name:	
Sheet name:	
Drawing No:	Version: V1.0
Drawn By:	Date:
Checked By:	Date:
Approved By:	Date:
Size: A3	Sheet: 9 13



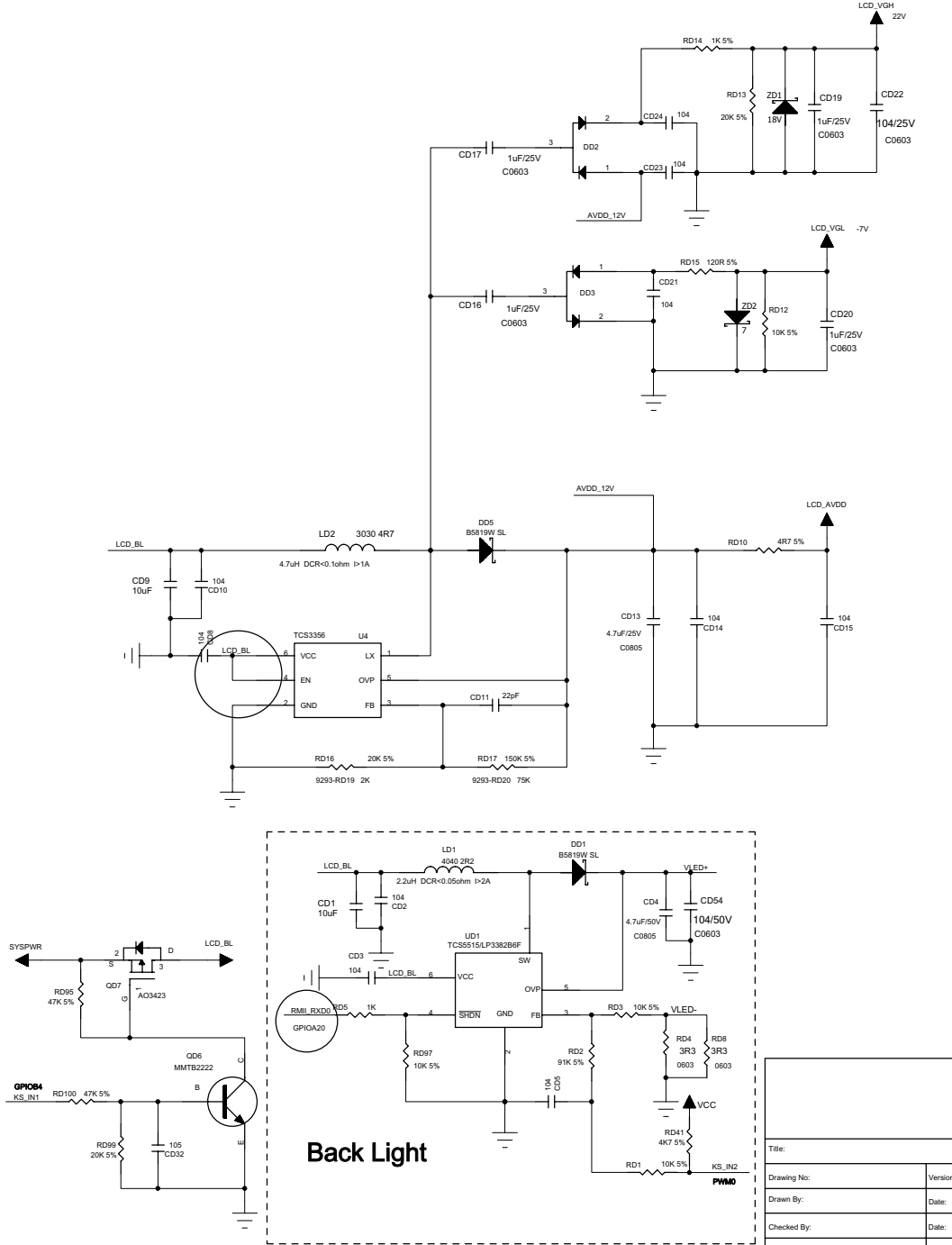
# RGB

## 7寸 800 X 480 / 1024 X 600



# LCD POWER

VGL/VGH RD90 = 0R, CD18, DD6, CD25为NC.

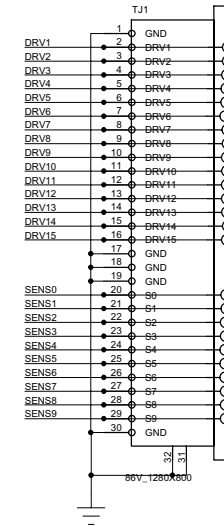
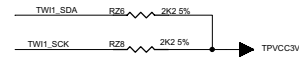
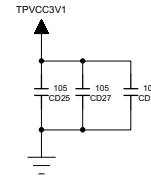
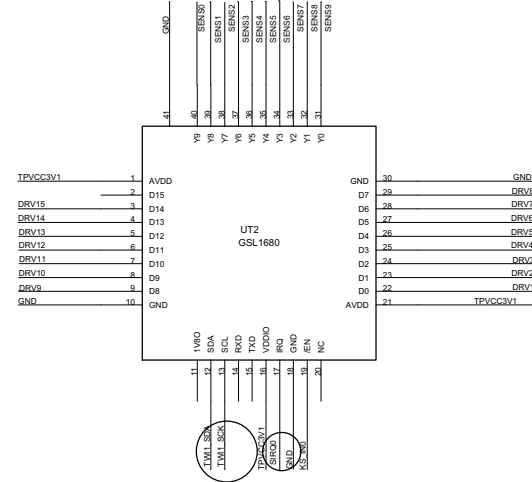
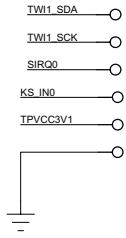


Back Light

Title:	
Drawing No:	Version:
Drawn By:	Date:
Checked By:	Date:
Approved By:	Date:
Size	A3
	Sheet:

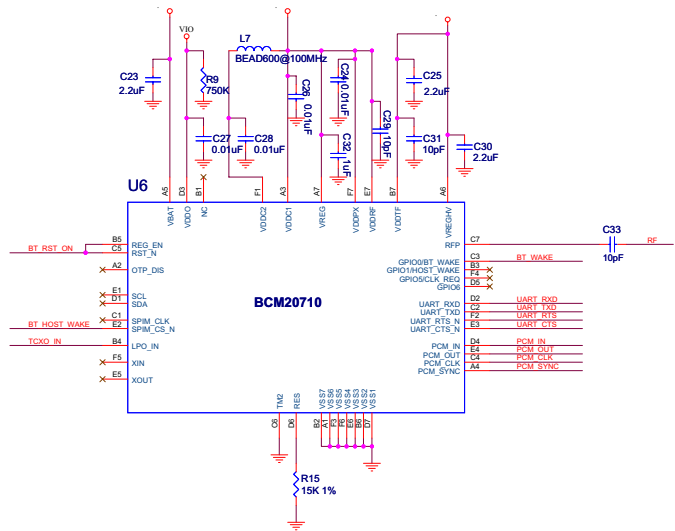
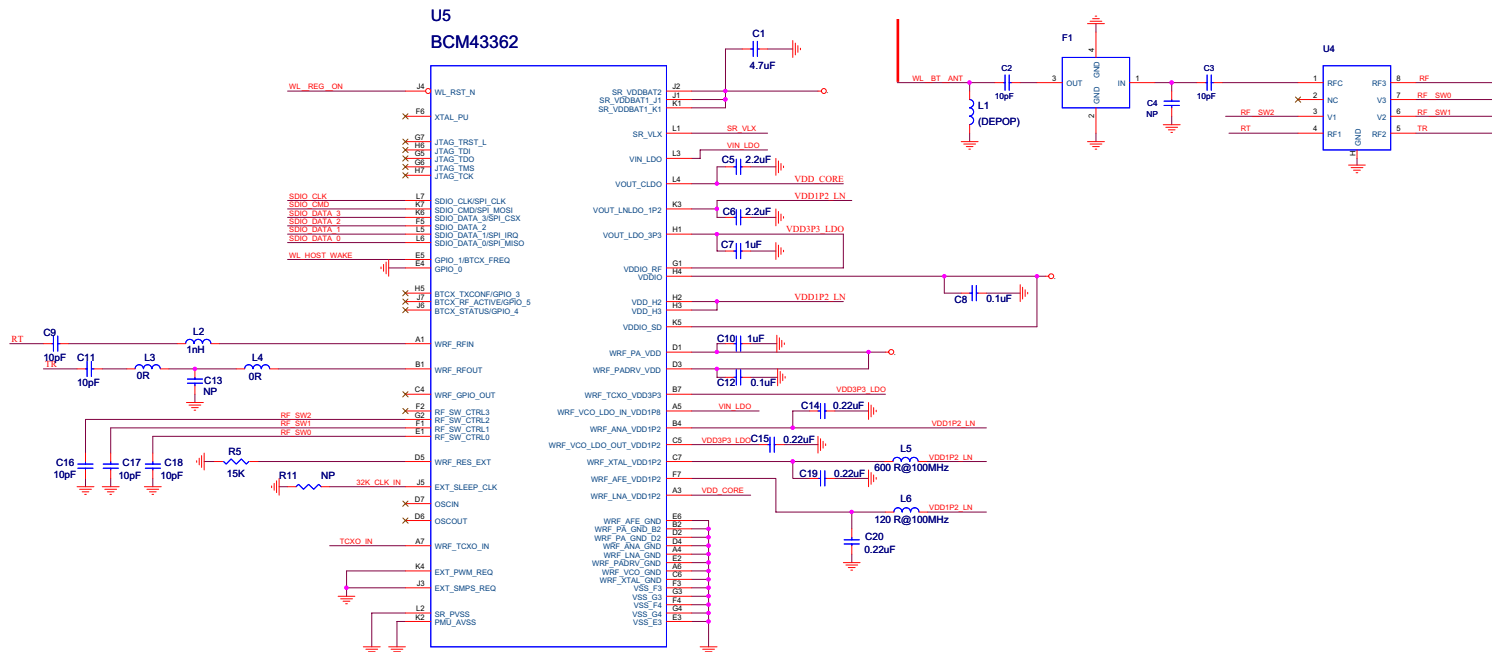


# CTP



Title:	
Drawing No:	Version:
Drawn By:	Date:
Checked By:	Date:
Approved By:	Date:
Size	A3
Sheet:	





AP6210 Schematic