

6

5

4

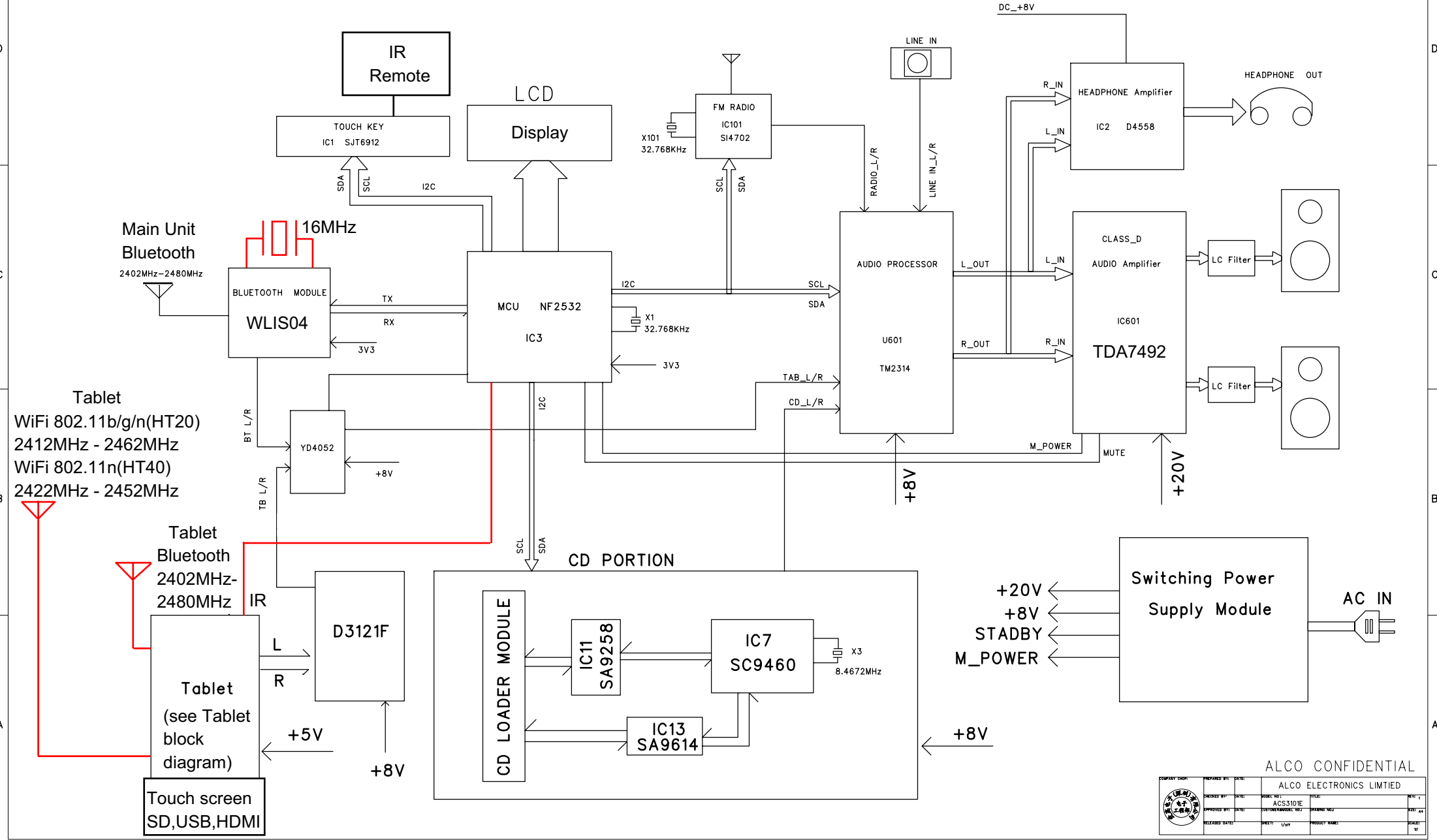
3

2

1

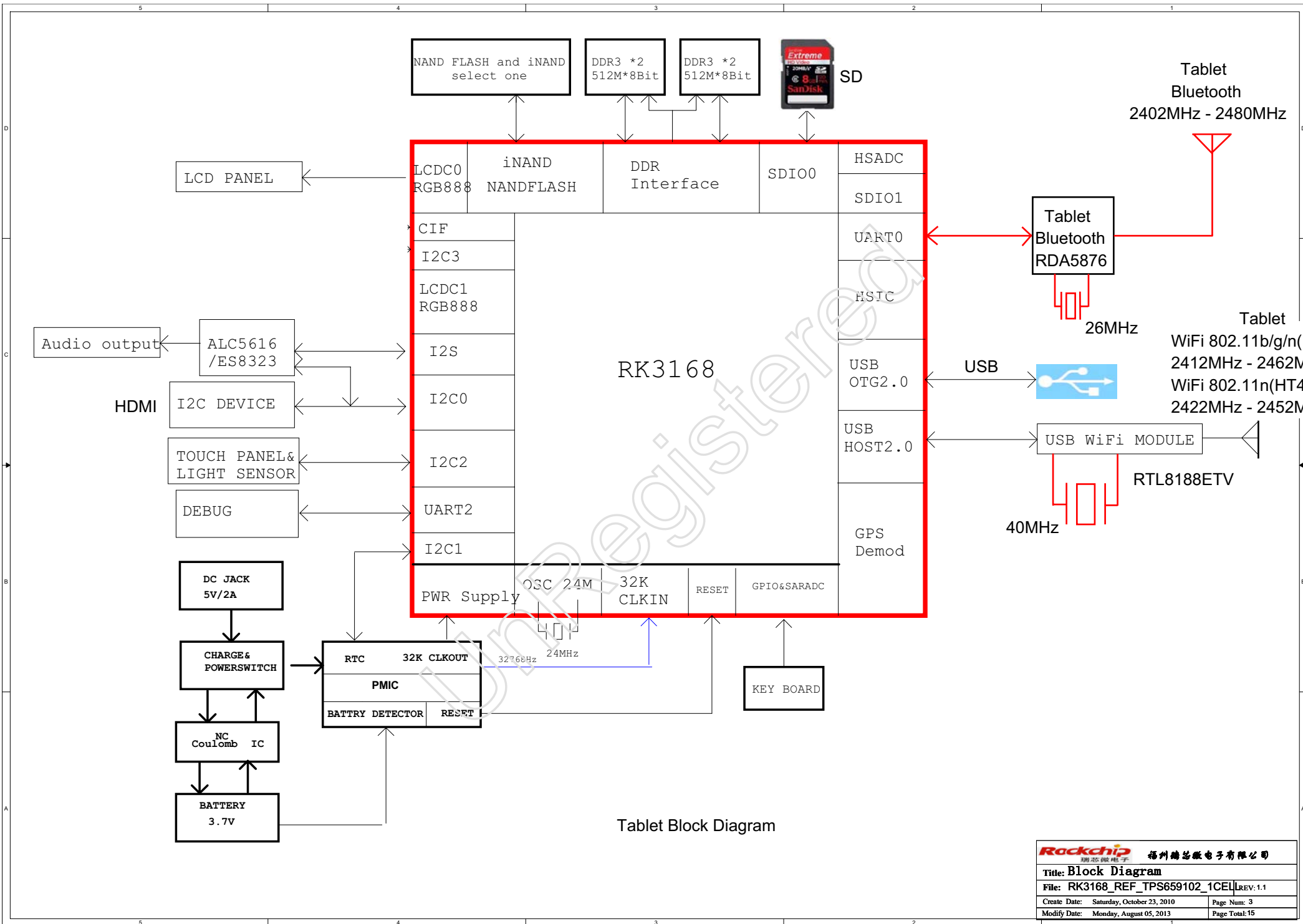
REVISION RECORD			
LTR	ECO NO:	APPROVED:	DATE:

### Main Unit Block Diagram



ALCO CONFIDENTIAL

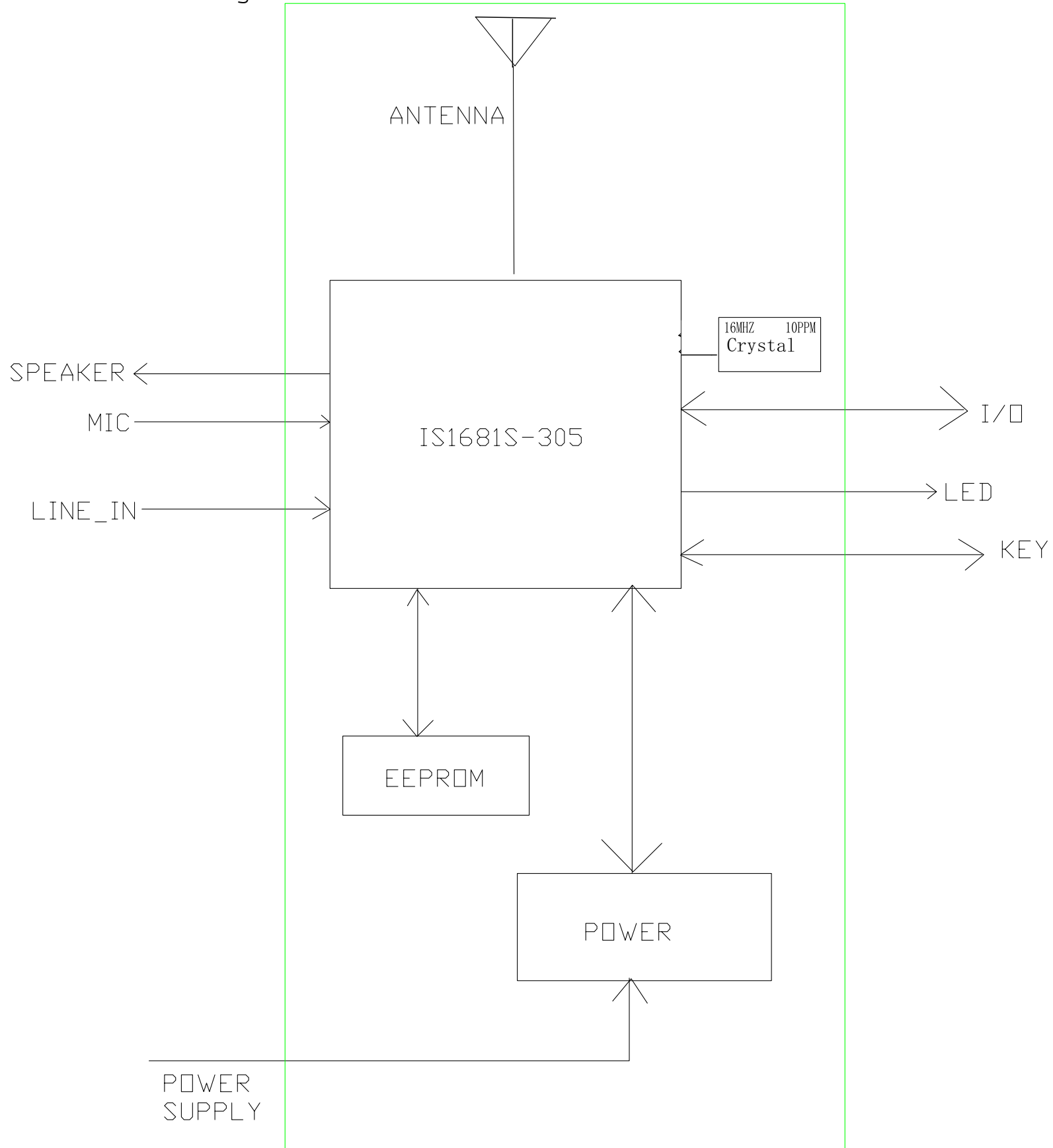
COMPANY LOGO	PREPARED BY:	DATE:	MODEL NO:	FILE:	REV. 1
	CHECKED BY:	DATE:	ACS310E		
	APPROVED BY:	DATE:	CUSTOMER/MODEL NO:	SKETCH NO:	DATE: XX
	RELEASE DATE:	PREP. V/HT	PRODUCT NAME:		SCALE: 1:1



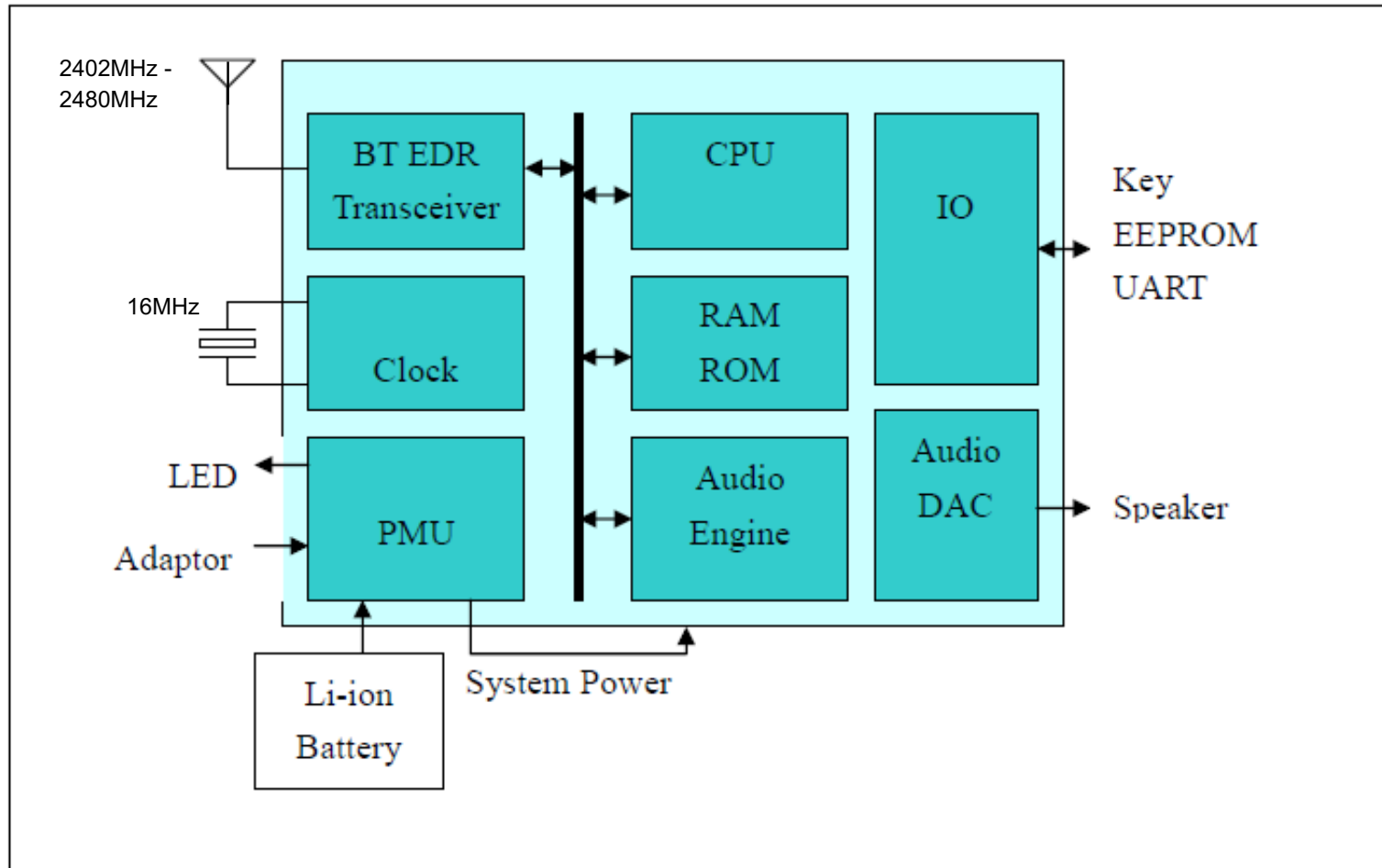
Tablet Block Diagram

Main Unit Bluetooth Module  
WLIS04 Block Biagram

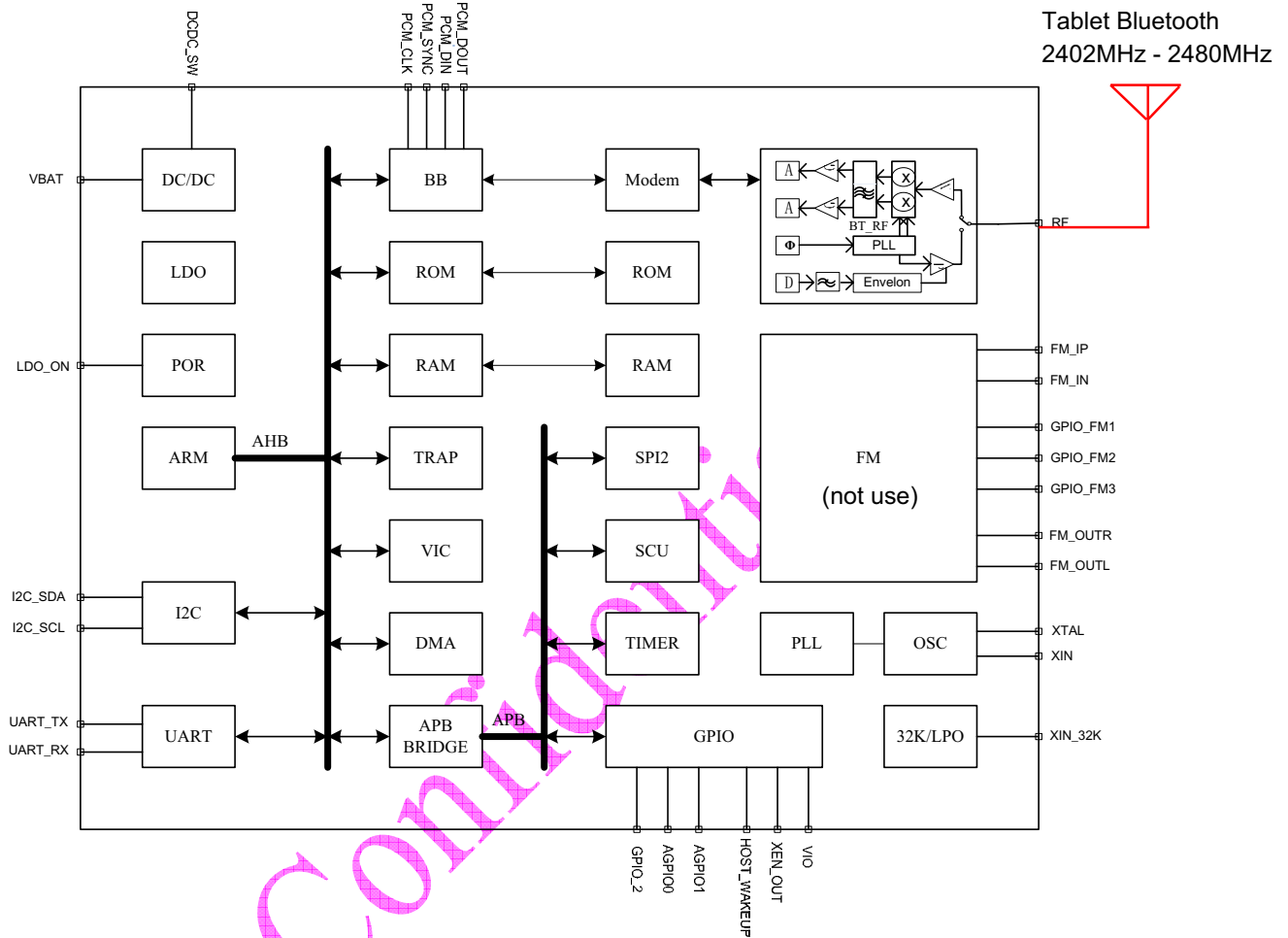
2402MHz-2480MHz



# WLIS04 Bluetooth Radio



### 3 Bluetooth Section Functional Description

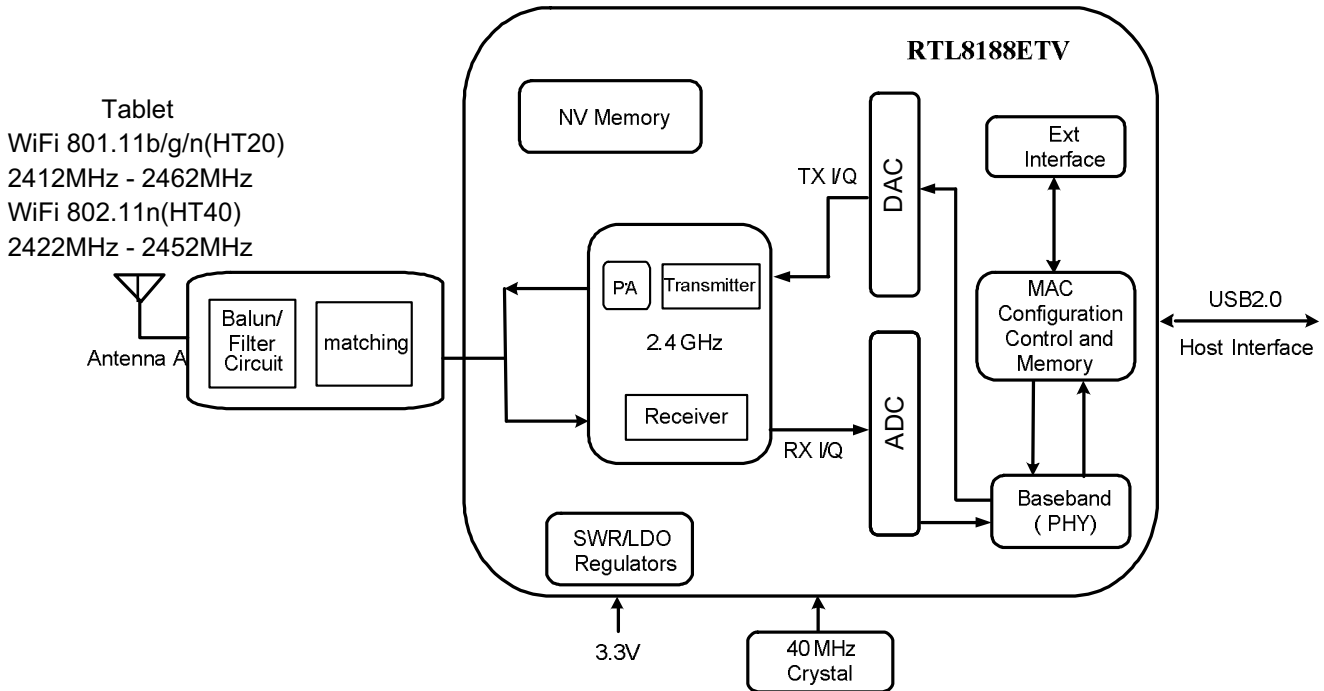


**Figure3-1. RDA5876A Bluetooth Block Diagram (Tablet)**

RDA5876A is designed for use in UART HCI with handset chipsets. As shown in Figure3-1, RDA5876A integrates radio unit, baseband core, ARM7 core and memory which provides a complete lower Bluetooth protocol stack including the LC, LM and HCI interface.

### 3. Application Diagram

#### 3.1. Single-Band 11n (1x1) Solution with Single Antenna



**Figure 1. Single-Band 11n (1x1) Solution**

Block Diagram of Tablet WiFi Module