

**Block Diagram of Bluetooth Module
BT3GMD-A30P**

D

C

B

A

D

C

B

A

The BT3GMD-A30P supports Bluetooth SIG-compliant wideband speech implementation to greatly enhance the audio quality with both PCs and cell phones.

The BT3GMD-A30P supports the Bluetooth 3.0 standard, adding enhanced power control, simple and secure pairing, and enhanced inquiry response as value-added features for Bluetooth headsets. All major functional blocks required for a Bluetooth stereo headset, including switcher, charger, and stereo audio codec are

The module includes EEPROM, crystal, and PCB antenna.

Applications:

- High-End Stereo Wireless Headsets
- High-END Mono Headsets
- Hands-Free Car Kits
- Wireless Speakers

Functional Block Diagram:

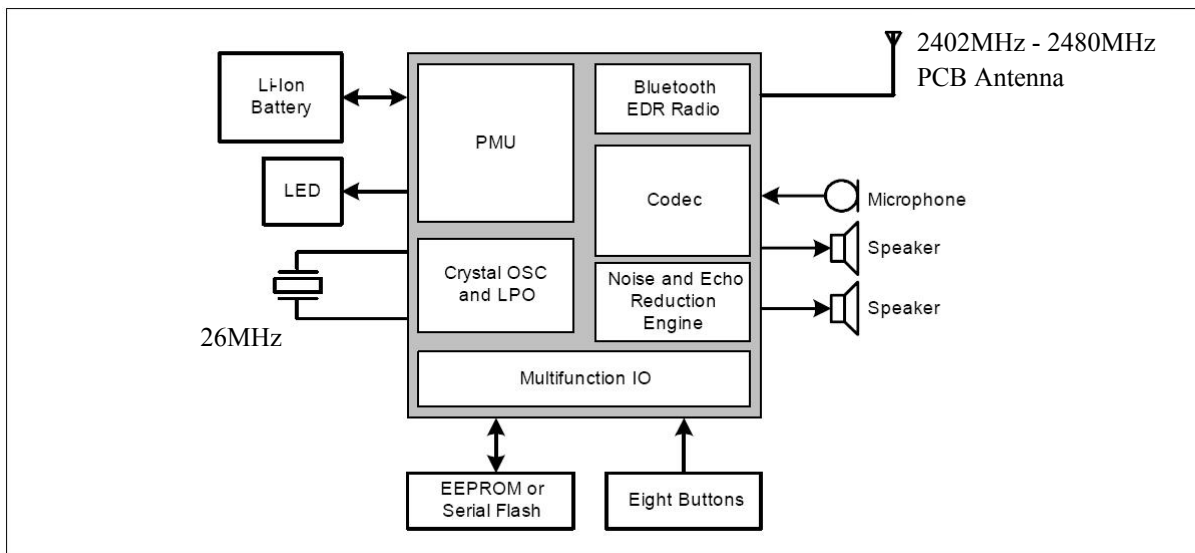


Figure 1: BT3GMD-A30P Block Diagram